

Patons
Classic Wool

Patons
DECOR



MEN'S CABLE & SNOWFLAKE

SIZES

Chest measurement

Small 34-36 ins [86-91 cm]
 Medium 38-40 ins [97-102 cm]
 Large 42-44 ins [106.5-112 cm]

Finished chest

Small 45 ins [114.5 cm]
 Medium 47½ ins [120.5 cm]
 Large 50 ins [127 cm]

MATERIALS

Patons Classic Wool (100 g/3.5 oz)
 or **Patons Décor** (100 g/3.5 oz)

Size	S	M	L	
Main Color (MC) (Green)	10	10	11	balls
Contrast A (Gold)	1	1	1	ball
Contrast B (Lt Blue)	1	1	1	ball
Contrast C (Red)	1	1	1	ball
Contrast D (Dk Blue)	1	2	2	ball(s)

Sizes 4 mm (U.S. 6) and 4.5 mm (U.S. 7) knitting needles **or size needed to obtain tension**. 2 st holders. Cable needle.

TENSION

20 sts and 26 rows = 4 ins [10 cm] with larger needles in stocking st.

ABBREVIATION

C4F = slip next 2 sts onto a cable needle and leave at front of work. K2, then K2 from cable needle.

INSTRUCTIONS

The instructions are written for smallest size. If changes are necessary for larger sizes the instructions will be written thus ().

BACK

**With MC and smaller needles, cast on 142 (146-154) sts.

1st row: (RS). K2. *P2. K2. Rep from * to end of row.

2nd row: P2. *K2. P2. Rep from * to end of row.

Rep last 2 rows until work from beg measures 1½ ins [3 cm], ending on a 2nd row and inc 6 (8-6) sts evenly across last row. 148 (154-160) sts.

Change to larger needles and proceed as follows:

1st row: (RS). P0 (3-0). K4. *P2. K4. Rep from * to last 0 (3-0) sts. P0 (3-0).

2nd row: K0 (3-0). P4. *K2. P4. Rep from * to last 0 (3-0) sts. K0 (3-0).

3rd to 6th rows: As 1st and 2nd rows twice.

7th row: P0 (3-0). K4. *P2. C4F. P2. K4. Rep from * to last 0 (3-0) sts. P0 (3-0).

8th row: As 2nd row.

These 1st to 8th rows form cable pat.

Cont in pat, until work from beg measures 15½ (16-16½) ins [39.5 (40.5-42) cm], ending with RS facing for next row and dec 29 sts evenly across last row. 119 (125-131) sts.



ABBREVIATIONS: www.patonsyarns.com/glossary

Patons

... a part of your life.

P.O. Box 40, Listowel ON N4W 3H3

Work Chart in stocking st to end of chart, reading **knit** rows from **right** to left and **purl** rows from **left** to right.

Next row: (WS). With MC, purl inc 29 sts evenly across. 148 (154-160) sts.**

With MC, work even in cable pat until work from beg measures 26 (27-28) ins [66 (68.5-71) cm] ending with RS facing for next row.

Shoulder shaping: Cast off 17 (17-18) sts beg next 4 rows, then 16 (18-19) sts beg next 2 rows. Leave rem 48 (50-50) sts on a st holder.

FRONT

Work from ** to ** as given for Back.

With MC, work even in cable pat until work from beg measures 22½ (23¼-24) ins [57 (59-61) cm] ending with RS facing for next row.

Neck shaping: Pat across 60 (62-64) sts (neck edge). **Turn.** Leave rem sts on a spare needle.

Dec 1 st at neck edge on next 4 rows then every alt row to 50 (52-55) sts.

Cont even in pat until armhole measures same length as Back to beg of shoulder shaping, ending with RS facing for next row.

Shoulder shaping: Cast off 17 (17-18) sts beg next and following alt row. Work 1 row even. Cast off rem 16 (18-19) sts.

With RS of work facing slip next 28 (30-32) sts from spare needle onto a st holder. Join yarn to rem sts and pat to end of row.

Dec 1 st at neck edge on next 4 rows then every alt row to 50 (52-55) sts.

Cont even in pat until armhole measures same length as Back to beg of shoulder shaping ending with **WS** facing for next row.

Shoulder shaping: Cast off 17 (17-18) sts beg next and following alt row. Work 1 row even. Cast off rem 16 (18-19) sts.

SLEEVES

With MC and smaller needles, cast on 62 sts.

Work 1½ ins [3 cm] in (K2. P2) ribbing as given for Back, ending on a 2nd row and inc 14 sts evenly across last row. 76 sts.

Change to larger needles and proceed in cable pat as given for Back for size S, inc 1 st each end of needle on 3rd and every 2nd row to 102 (98-106) sts, then every following 4th row until there are 132 (138-144) sts, taking inc sts into pat.

Cont even in pat until Sleeve from beg measures 19 (20-21) ins [48 (51-53.5) cm], ending with RS facing for next row. Cast off.

FINISHING

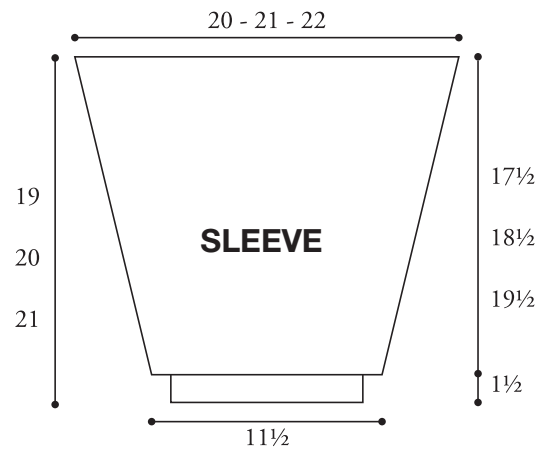
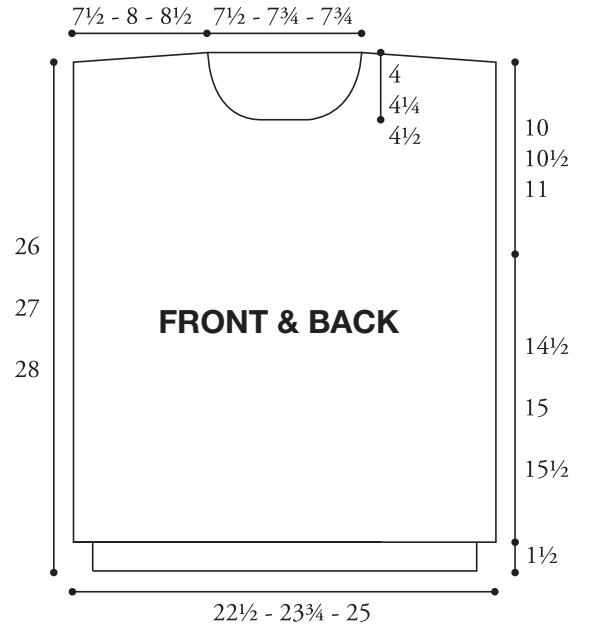
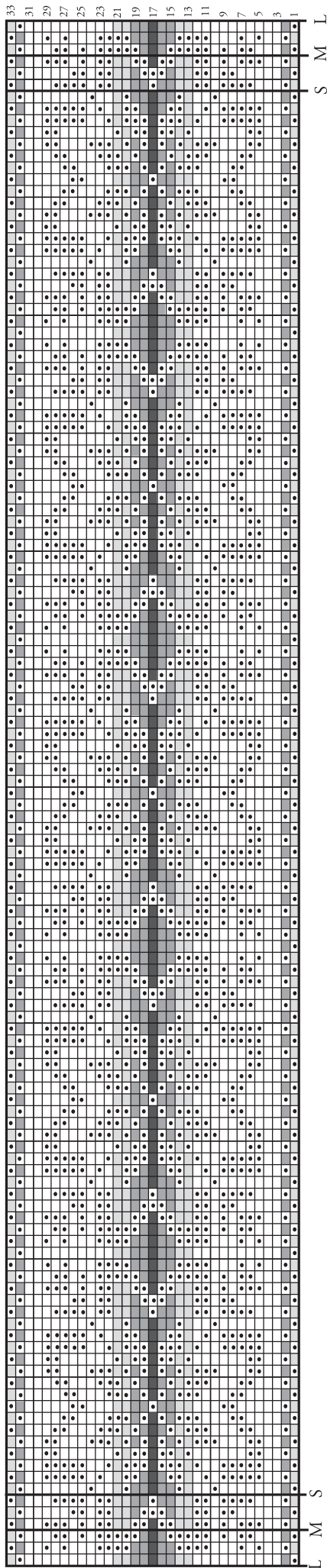
Pin garment pieces to measurements. Cover with a damp cloth leaving to dry.

Neckband: Sew right shoulder seam. With RS of work facing, MC and smaller needles, pick up and knit 20 sts down left front neck edge. Knit across 28 (30-32) sts from front st holder dec 1 st at center. Pick up and knit 20 sts up right front neck edge. Knit across 48 (50-50) sts from back st holder, dec 5 (5-3) sts evenly across. 110 (114-118) sts.

Beg and ending on a 2nd row work in (K2. P2) ribbing as given for Back until neckband from pick up row measures 5 ins [12.5 cm]. Cast off in ribbing. Sew left shoulder and neckband seam reversing for turnback 3 ins [7.5 cm] above cast off edge.

Place markers on front and back side edges 10 (10½-11) ins [25.5 (26.5-28) cm] down from shoulder seams. Sew in sleeves between markers. Sew side and sleeve seams.

CHART



- Key
- ☐ = MC
 - = Contrast A
 - ▒ = Contrast B
 - ▓ = Contrast C
 - = Contrast D