

Patons
Classic Wool

Patons
DECOR



SHAWL-COLLAR JACKET (KIDS)

SIZES

Chest measurement

6	25	ins	[63.5 cm]
8	27	ins	[68.5 cm]
10	29	ins	[73.5 cm]
12	31	ins	[78.5 cm]

Finished chest

6	32	ins	[81.5 cm]
8	33	ins	[84 cm]
10	35½	ins	[90 cm]
12	37	ins	[94 cm]

TENSION

18 sts and 24 rows = 4 ins [10 cm] in stocking st with larger needles.

MATERIALS

Patons Classic Wool (100 g/3.5 oz)
or Patons Décor (100 g/3.5 oz)

Size	6	8	10	12
	7	8	9	10 balls

Sizes 4 mm (U.S. 6) and 5 mm (U.S. 8) knitting needles and size 4 mm (U.S. 6) circular knitting needle 36 ins [90 cm] long **or size needed to obtain tension.** Cable needle. 2 st holders. 6 buttons.

ABBREVIATIONS

KB1 = knit into back of next st.

PB1 = purl into back of next st.

T2BP = slip next st onto cable needle and leave at back of work. K1, then P1 from cable needle.

T2B = slip next st onto cable needle and leave at back of work. K1, then K1 from cable needle.

T2FP = slip next st onto cable needle and leave at front of work. P1, then K1 from cable needle.

C6B = slip next 3 sts onto cable needle and leave at back of work. K3, then K3 from cable needle.

C6F = slip next 3 sts onto cable needle and leave at front of work. K3, then K3 from cable needle.

PANEL PAT A (worked over 11 sts).

1st row: (RS). P1. K9. P1.

2nd and alt rows: K1. P9. K1.

3rd row: P1. C6B. K3. P1.

5th row: As 1st row.

7th row: P1. K3. C6F. P1.

8th row: As 2nd row.

These 8 rows form panel pat A.

PANEL PAT B (worked over 20 sts).

1st row: (RS). P3. T2B. (P4. T2B) twice. P3.

2nd row: K3. P2. (K4. P2) twice. K3.

3rd row: P2. (T2BP. T2FP. P2) 3 times.

4th row: K2. (P1. K2) 6 times.

5th row: P1. (T2BP. P2. T2FP) 3 times. P1.

6th row: K1. (P1. K4. P1) 3 times. K1.

7th row: P1. K1. P4. (T2B. P4) twice. K1. P1.

8th row: As 6th row.

9th row: P1. (T2FP. P2. T2BP) 3 times. P1.

10th row: As 4th row.

11th row: P2. (T2FP. T2BP. P2) 3 times.

12th row: As 2nd row.

These 12 rows form panel pat B.

INSTRUCTIONS

BACK

With smaller needles cast on 95 (99-103-107) sts.

1st row: (RS). *K1. P1. Rep from * to last st. K1.

2nd row: P1. *K1. P1. Rep from * to end of row.

Rep these 2 rows (K1. P1) ribbing 3 times more, inc 18 (18-22-22) sts evenly across last row. 113 (117-125-129) sts.

Change to larger needles and proceed in pat as follows:

1st row: (RS). (K1. P1) 2 (3-5-6) times. P1. KB1. Work 1st row panel pat A. KB1. Work 1st row panel pat B. (KB1. Work 1st row panel pat A) 3 times. KB1. Work 1st row panel pat B. KB1. Work 1st row panel pat A. KB1. P1. (P1. K1) 2 (3-5-6) times.

2nd row: (P1. K1) 2 (3-5-6) times. K1. PB1. Work 2nd row panel pat A. PB1.



ABBREVIATIONS: www.patonsyarns.com/glossary

Work 2nd row panel pat B. (PB1. Work 2nd row panel pat A) 3 times. PB1. Work 2nd row panel pat B. PB1. Work 2nd row panel pat A. PB1. K1. (K1. P1) 2 (3-5-6) times.

3rd row: (P1. K1) 2 (3-5-6) times. P1. KB1. Work 3rd row panel pat A. KB1. Work 3rd row panel pat B. (KB1. Work 3rd row panel pat A) 3 times. KB1. Work 3rd row panel pat B. KB1. Work 3rd row panel pat A. KB1. P1. (K1. P1) 2 (3-5-6) times.

4th row: (K1. P1) 2 (3-5-6) times. K1. PB1. Work 4th row panel pat A. PB1. Work 4th row panel pat B. (PB1. Work 4th row panel pat A) 3 times. PB1. Work 4th row panel pat B. PB1. Work 4th row panel pat A. PB1. K1. (P1. K1) 2 (3-5-6) times.

These 4 rows form pat. Panel pats A and B are now in position.

Cont in pat, keeping cont of panel pats until work from beg measures 13 (14½-16-18) ins [33 (37-40.5-45.5) cm] ending with RS facing for next row.

Shape raglans: Keeping cont of pat, cast off 3 sts beg next 2 rows. 107 (111-119-123) sts.

1st row: (RS). K1. Sl1. K1. pssso. Pat to last 3 sts. K2tog. K1.

2nd row: K1. P2tog. Pat to last 3 sts. P2togtbl. K1.

Rep last 2 rows 2 (1-3-5) time(s) more. 95 (103-103-99) sts.

Next row: K1. Sl1. K1. pssso. Pat to last 3 sts. K2tog. K1.

Next row: K1. P1. Pat to last 2 sts. P1. K1.

Proceed as follows:

1st row: (RS). K1. Sl1. K1. pssso. Pat to last 3 sts. K2tog. K1.

2nd row: K1. P2tog. Pat to last 3 sts. P2togtbl. K1.

3rd row: As 1st row.

4th row: K1. P1. Pat to last 2 sts. P1. K1. Rep last 4 rows 9 (10-10-9) times more. 33 (35-35-37) sts. Cast off.

POCKET LININGS (Make 2)

With larger needles cast on 23 (23-25-25) sts. Work 4½ ins [11.5 cm] in stocking st, ending with RS facing for next row and inc 1 st in center of last row. 24 (24-26-26) sts. Leave these sts on a spare needle.

LEFT FRONT

**With smaller needles cast on 47 (49-51-53) sts.

Work 8 rows in (K1. P1) ribbing as given for Back, inc 5 (5-7-7) sts evenly across last row. 52 (54-58-60) sts.**

Change to larger needles and proceed in pat as follows:

1st row: (RS). (K1. P1) 2 (3-5-6) times.

P1. KB1. Work 1st row panel pat A. KB1. Work 1st row panel pat B. KB1.

Work 1st row panel pat A. KB1. P1.

2nd row: K1. PB1. Work 2nd row panel pat A. PB1. Work 2nd row panel pat B. PB1.

Work 2nd row panel pat A. PB1. K1. (K1. P1) 2 (3-5-6) times.

3rd row: (P1. K1) 2 (3-5-6) times. P1. KB1. Work 3rd row panel pat A. KB1.

Work 3rd row panel pat B. KB1. Work 3rd row panel pat A. KB1. P1.

4th row: K1. PB1. Work 4th row panel pat A. PB1. Work 4th row panel pat B. PB1.

Work 4th row panel pat A. PB1. K1. (P1. K1) 2 (3-5-6) times.

These 4 rows form pat. Panel pats A and B are now in position.

Cont in pat, keeping cont of panel pats until work from beg measures 9 ins [23 cm] ending with RS facing for next row.

Place Pocket: Next row: Pat across 5 (7-11-13) sts. Slip next 24 (24-26-26) sts onto a st holder. Pat across 24 (24-26-26) sts from pocket lining. Pat to end of row.

Cont in pat, keeping cont of panel pats until work from beg measures 13 (14½-16-18) ins [33 (37-40.5-45.5) cm] ending with RS facing for next row.

Shape raglan: Keeping cont of pat, cast off 3 sts beg next row. 49 (51-55-57) sts. Work 1 row even in pat.

1st row: (RS). K1. Sl1. K1. pssso. Pat to end of row.

2nd row: Pat to last 3 sts. P2togtbl. K1. Rep last 2 rows 2 (1-3-5) time(s) more. 43 (47-47-45) sts.

Next row: K1. Sl1. K1. pssso. Pat to end of row.

Next row: Pat to last 2 sts. P1. K1.

Sizes 6, 8 and 10 only: Proceed as follows:

1st row: K1. Sl1. K1. pssso. Pat to end of row.

2nd row: Pat to last 3 sts. P2togtbl. K1.

3rd row: As 1st row.

4th row: Pat to last 2 sts. P1. K1.

Rep last 4 rows 1 (1-0) time more. 36 (40-43) sts.

Sizes 8 and 10 only: Next row: K1. Sl1. K1. pssso. Pat to end of row.

Next row: Pat to last 3 sts. P2togtbl. K1.

Next row: K1. Sl1. K1. pssso. Pat to last 2 sts. Work 2tog (front edge).

Next row: Pat to last 2 sts. P1. K1. (36-39) sts.

All Sizes: 1st row: K1. Sl1. K1. pssso. Pat to last 2 sts. Work 2tog (front edge).

2nd row: Pat to last 3 sts. P2togtbl. K1.

3rd row: As 1st row.

4th row: Pat to last 2 sts. P1. K1.

Rep last 4 rows 3 (3-1-3) time(s) more. 16 (16-29-24) sts.

1st row: K1. Sl1. K1. pssso. Pat to end of row.

2nd row: Pat to last 3 sts. P2togtbl. K1.

3rd row: K1. Sl1. K1. pssso. Pat to last 2 sts. Work 2tog.

4th row: Pat to last 2 sts. P1. K1.

Rep last 4 rows 2 (2-5-4) times more. 4 (4-5-4) sts.

Sizes 6, 8 and 12 only: 1st row: Sl1. K1. pssso. K2.

2nd row: P3.

3rd row: Sl1. K1. pssso. K1.

4th row: P2.

5th row: Sl1. K1. pssso. Fasten off.

Size 10 only: 1st row: K1. Sl1. K1. pssso. K2.

2nd row: P1. P2togtbl. K1.

3rd row: K1. Sl1. K1. pssso.

4th row: P2.

5th row: Sl1. K1. pssso. Fasten off.

RIGHT FRONT

Work from ** to ** as given for Left Front.

Change to larger needles and proceed in pat as follows:

1st row: (RS). P1. KB1. Work 1st row panel pat A. KB1. Work 1st row panel pat B. KB1. Work 1st row panel pat A. KB1. P1. (P1. K1) 2 (3-5-6) times.

2nd row: (P1. K1) 2 (3-5-6) times. K1. PB1. Work 2nd row panel pat A. PB1. Work 2nd row panel pat B. PB1. Work 2nd row panel pat A. PB1. K1.

3rd row: P1. KB1. Work 3rd row panel pat A. KB1. Work 3rd row panel pat B. KB1. Work 3rd row panel pat A. KB1. P1. (K1. P1) 2 (3-5-6) times.

4th row: (K1. P1) 2 (3-5-6) times. K1. PB1. Work 4th row panel pat A. PB1.

Work 4th row panel pat B. PB1. Work 4th row panel pat A. PB1. K1.

These 4 rows form pat. Panel pats A and B are now in position.

Cont in pat, keeping cont of panel pats until work from beg measures 9 ins [23 cm] ending with RS facing for next row.

Place Pocket: Next row: Pat across 23 (23-21-21) sts. Slip next 24 (24-26-26) sts onto a st holder. Pat across 24 (24-26-26) sts from pocket lining. Pat to end of row.

Cont in pat, keeping cont of panel pats until work from beg measures 13 (14½-16-18) ins [33 (37-40.5-45.5) cm] ending with WS facing for next row.

Shape raglan: Keeping cont of pat, cast off 3 sts beg next row. 49 (51-55-57) sts.

1st row: (RS). Pat to last 3 sts. K2tog. K1.

2nd row: K1. P2tog. Pat to end of row.

Rep last 2 rows 2 (1-3-5) time(s) more. 43 (47-47-45) sts.

Next row: Pat to last 3 sts. K2tog. K1.

Next row: K1. P1. Pat to end of row.

Sizes 6, 8 and 10 only: Proceed as follows:

1st row: Pat to last 3 sts. K2tog. K1.

2nd row: K1. P2tog. Pat to end of row.

3rd row: As 1st row.

4th row: K1. P1. Pat to end of row.

Rep last 4 rows 1 (1-0) time more. 36 (40-43) sts.

Sizes 8 and 10 only: Next row: Pat to last 3 sts. K2tog. K1.

Next row: K1. P2tog. Pat to end of row.

Next row: Work 2tog (front edge). Pat to last 3 sts. K2tog. K1.

Next row: K1. P1. Pat to end of row. (36-39) sts.

All Sizes: 1st row: Work 2tog (front edge). Pat to last 3 sts. K2tog. K1.

2nd row: K1. P2tog. Pat to end of row.

3rd row: As 1st row.

4th row: K1. P1. Pat to end of row.

Rep last 4 rows 3 (3-1-3) time(s) more. 16 (16-29-24) sts.

1st row: Pat to last 3 sts. K2tog. K1.

2nd row: K1. P2tog. Pat to end of row.

3rd row: Work 2tog. Pat to last 3 sts. K2tog. K1.

4th row: K1. P1. Pat to end of row.

Rep last 4 rows 2 (2-5-4) times more. 4 (4-5-4) sts.

Sizes 6, 8 and 12 only: 1st row: K2. K2tog.

2nd row: P3.

3rd row: K1. K2tog.

4th row: P2.

5th row: K2tog. Fasten off.

Size 10 only: 1st row: K2. K2tog. K1.

2nd row: K1. P2tog. P1.

3rd row: K1. K2tog.

4th row: P2.

5th row: K2tog. Fasten off.

SLEEVES

With smaller needles cast on 45 (47-47-49) sts. Work 3½ ins [9 cm] in (K1. P1) ribbing as given for Back ending on a 2nd row and inc 7 (9-9-11) sts evenly across last row. 52 (56-56-60) sts. Place a marker at each end of row 1¾ ins [4.5 cm] above cast on edge.

Change to larger needles and proceed in pat as follows:

1st row: (RS). (P1. K1) 1 (2-2-3) time(s). P1. KB1. Work 1st row panel pat A. KB1. Work 1st row panel pat B. KB1. Work 1st row panel pat A. KB1. P1. (K1. P1) 1 (2-2-3) time(s).

2nd row: (K1. P1) 1 (2-2-3) time(s). K1. PB1. Work 2nd row panel pat A. PB1. Work 2nd row panel B. PB1. Work 2nd row panel pat A. PB1. K1. (P1. K1) 1 (2-2-3) time(s).

3rd row: (K1. P1) 1 (2-2-3) time(s). P1. KB1. Work 3rd row panel pat A. KB1. Work 3rd row panel pat B. KB1. Work 3rd row panel pat A. KB1. P1. (P1. K1) 1 (2-2-3) time(s).

4th row: (P1. K1) 1 (2-2-3) time(s). K1. PB1. Work 4th row panel pat A. PB1. Work 4th row panel B. PB1. Work 4th row panel pat A. PB1. K1. (K1. P1) 1 (2-2-3) time(s).

These 4 rows form pat. Panel pats A and B are now in position.

Cont in pat, keeping cont of panel pats, inc 1 st each end of needle on next and following 4th (6th-6th-6th) rows until there are 66 (78-82-68) sts, taking inc sts into side pat.

Sizes 6 and 12 only: Inc 1 st each end of needle on following 6th (8th) rows until there are 76 (82) sts, taking inc sts into side pat.

All Sizes: Cont even in pat until Sleeve from marker measures 12 (13½-15-16½) ins [30.5 (34.5-38-42) cm] ending with RS facing for next row.

Shape raglans: Keeping cont of pat, cast off 3 sts beg next 2 rows. 70 (72-76-76) sts.

1st row: (RS). K1. Sl1. K1. pss0. Pat to last 3 sts. K2tog. K1.

2nd row: K1. P2tog. Pat to last 3 sts. P2togtbl. K1.

3rd row: As 1st row.

4th row: K1. P1. Pat to last 2 sts. P1. K1. Rep last 4 rows 7 times more. 22 (24-28-28) sts.

1st row: (RS). K1. Sl1. K1. pss0. Pat to last 3 sts. K2tog. K1.

2nd row: K1. P1. Pat to last 2 sts. P1. K1. Rep last 2 rows until there are 6 sts ending with RS facing for next row. Cast off.

Pocket Border: With RS of work facing and smaller needles, knit across 24 (24-26-26) sts on pocket st holder, dec 1 st at center. 23 (23-25-25) sts. Beg on a 2nd row, work 7 rows in (K1. P1) ribbing as given for Back. Cast off in ribbing. Sew pocket lining in position to WS. Fold pocket border in half to WS and sew in position.

FINISHING

Pin garment pieces to measurements. Cover with a damp cloth leaving to dry.

COLLAR

With circular needle cast on 310 (330-356-380) sts.

Proceed in (K1. P1) ribbing for 4 rows. **Next row:** (RS). Rib across 3 sts. *Cast off 2 sts. Rib across 16 (17-19-21) sts (including st on needle after cast off). Rep from * 4 times more. Cast off 2 sts. Rib to end of row.

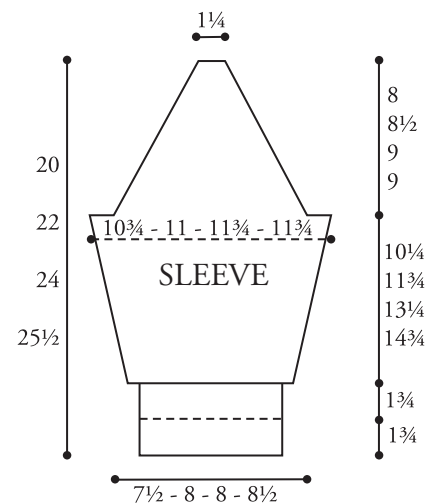
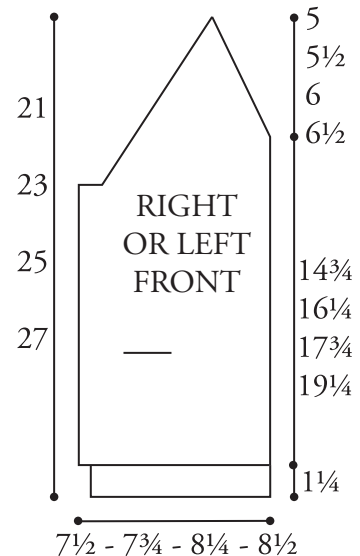
Next row: Rib, casting on 2 sts over cast off sts.

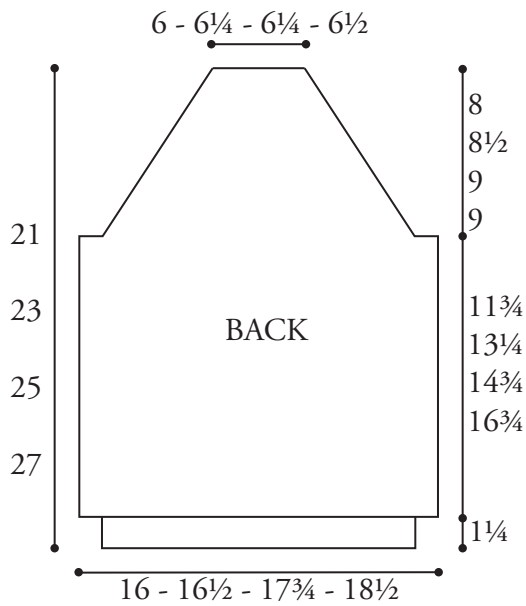
Work a further 2 rows ribbing.

Cast off 95 (100-110-120) sts beg next 2 rows. 120 (130-136-140) sts.

Keeping cont of ribbing, dec 1 st each end of next and every row until there are 58 (60-60-62) sts. Cast off in ribbing.

Sew raglan seams. Sew Collar to front edge placing long cast off edges along straight edges of Fronts, shaped edges along shaped edges of Fronts and final cast off sts at center back neck. Sew side and sleeve seams reversing seam at markers for cuff turn-back. Sew buttons to correspond to buttonholes.





Key

= Knit on RS rows and purl on WS rows.

= Purl on RS rows and knit on WS rows.

= T2B

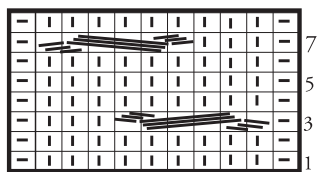
= T2BP

= T2FP

= C6B

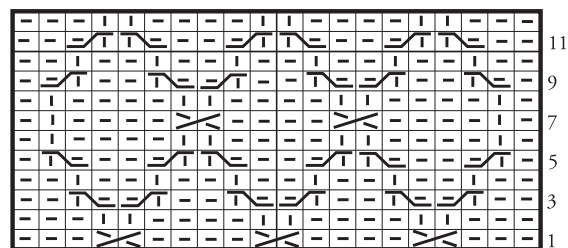
= C6F

PANEL PAT A



Start Here

PANEL PAT B



Start Here

Patons

... a part of your life.

P.O. Box 40, Listowel ON N4W 3H3