

Patons® Canadiana

Patons
DECOR



VEGGIES AND STRIPES

SIZES

Chest measurement

2	22	ins	[56	cm]
4	24	ins	[61	cm]
6	26	ins	[66	cm]

Finished chest

2	28	ins	[71	cm]
4	31	ins	[78	cm]
6	33	ins	[84	cm]

MATERIALS

Patons Canadiana (100 g/3.5 oz)
or Patons Décor (100 g/3.5 oz)

Size 2 4 6
CARDIGAN AND CAP

Main color (MC) (Teal)
1 1 1 ball

Contrast A (Red)
1 1 2 ball(s)

Contrast B (Green)
1 1 1 ball

Contrast C (Orange)
1 1 1 ball

Contrast D (Yellow)
1 1 2 ball(s)

Contrast E (Purple)
1 1 2 ball(s)

Sizes 3.75 mm (U.S. 5) and
4.5 mm (U.S. 7) knitting needles.
Size 3.75 mm (U.S. 5) circular
knitting needle 26 ins [70 cm] long
**or size needed to obtain
tension.** 1 st holder. 5 buttons.

TENSION

20 sts and 26 rows = 4 ins [10 cm]
with larger needles in stocking st.

ABBREVIATION

MB = [(K1. P1) 3 times. K1] all in
next st. 7 sts. Slip 6th, 5th, 4th,
3rd, 2nd and first sts separately
over 7th st. One st rem. Bobble
complete. Always push bobble to
RS of work.

INSTRUCTIONS

*The instructions are written for
smallest size. If changes are
necessary for larger sizes the
instructions will be written thus ().*

Note: When working from charts,
wind small balls of the colors to be
used, one for each separate area
of color in the design. Start new
colors at appropriate points. To
change colors, twist the two
colors around each other where
they meet, on WS, to avoid a hole.

STRIPE PAT

With E, work 4 rows stocking st.
With MC, work 2 rows stocking st.
With D, work 2 rows stocking st.
With A, work 2 rows stocking st.
With C, work 4 rows stocking st.
With E, work 2 rows stocking st.
With B, work 2 rows stocking st.
With D, work 2 rows stocking st.
With A, work 4 rows stocking st.
With MC, work 2 rows stocking st.
With C, work 2 rows stocking st.
With E, work 2 rows stocking st.
With D, work 4 rows stocking st.
These 34 rows form Stripe Pat.

CARDIGAN BACK

With A and smaller needles cast
on 71 (77-83) sts.
1st row: (RS). K1. *P1. K1. Rep
from * to end of row.
This row forms seed st pat.



ABBREVIATIONS: www.patonsyarns.com/glossary

Patons®

... a part of your life.

P.O. Box 40, Listowel ON N4W 3H3

Cont in seed st pat until work from beg measures 1½ ins [3 cm] ending with RS facing for next row.

Change to larger needles and proceed in stripe pat until work from beg measures 14½ (16-17) ins [37 (40.5-43) cm] ending with RS facing for next row.

Shoulder shaping: Cast off 11 (12-13) sts beg next 2 rows, then 12 (13-14) sts beg following 2 rows. Leave rem 25 (27-29) sts on a st holder.

LEFT FRONT

With A and smaller needles cast on 35 (38-41) sts and work 1½ ins [3 cm] in seed st pat as given for Back ending with RS facing for next row.

Change to E, larger needles and proceed in stocking st until work from beg measures 4½ (5½-6) ins [11.5 (14-15) cm] ending with RS facing for next row.

Place Chart I: Next row: With E, K4 (6-8). Work 1st row of Chart I across next 28 sts reading row from **right** to left. With E, knit to end of row.

Next row: With E, P3 (4-5). Work 2nd row of Chart I across next 28 sts reading row from **left** to right. With E, purl to end of row. Chart I is now in position.

Cont working Chart I until work from beg measures 9 (10-10½) ins [23 (25.5-26.5) cm] ending with RS facing for next row.

Neck shaping: Next row: Keeping cont of Chart V, knit to last 2 sts. Work 2tog (neck edge). Keeping cont of Chart I, work 1 row even.

Keeping cont of Chart I, and cont with E when Chart I is complete, dec 1 st at neck edge on next and following alt rows until there are 24 (27-29) sts, then every 4th row until there are 23 (25-27) sts.

Cont even until work from beg measures same length as Back to beg of shoulder shaping ending with RS facing for next row.

Shoulder shaping: Cast off 11 (12-13) sts beg next row. Work 1 row even. Cast off rem 12 (13-14) sts.

RIGHT FRONT

Work from ** to ** as given for Left Front.

Change to D, larger needles and proceed in stocking st until work from beg measures 4½ (5½-6) ins [11.5 (14-15) cm] ending with RS facing for next row.

Place Chart II: Next row: With D, K3 (4-5). Work 1st row of Chart II across next 28 sts reading row from **right** to left. With D, knit to end of row.

Next row: With D, P4 (6-8). Work 2nd row of Chart II across next 28 sts reading row from **left** to right. With D, purl to end of row.

Chart II is now in position.

Cont working Chart II until work from beg measures 9 (10-10½) ins [23 (25.5-26.5) cm] ending with RS facing for next row.

Neck shaping: Next row: Keeping cont of Chart II, work 2tog (neck edge). Knit to end of row.

Keeping cont of Chart II, work 1 row even.

Keeping cont of Chart II, and cont with D when Chart II is complete, dec 1 st at neck edge on next and following alt rows until there are 24 (27-29) sts, then every 4th row until there are 23 (25-27) sts.

Cont even until work from beg measures same length as Back to beg of shoulder shaping ending with **WS** facing for next row.

Shoulder shaping: Cast off 11 (12-13) sts beg next row. Work 1 row even. Cast off rem 12 (13-14) sts.

SLEEVES

With A and smaller needles cast on 35 (37-39) sts and work 1½ ins [3 cm] in seed st pat as given for Back ending with RS facing for next row and inc 4 sts evenly across last row. 39 (41-43) sts.

Change to larger needles and proceed in stripe pat inc 1 st each end of needle on 5th and following 4th rows until there are 55 (61-65) sts.

Cont even until work from beg measures 7½ (9-10½) ins [19 (23-26.5) cm] ending with RS facing for next row. Cast off.

FINISHING

Button and Buttonhole Band:

Sew shoulder seams. With RS of work facing, A and circular needle, pick up and knit 44 (48-52) sts up Right Front edge to first neck dec and 25 (27-29) sts up neck edge. K25 (27-29) from Back st holder, dec 2 sts evenly across. Pick up and knit 25 (27-29) sts down Left Front neck edge to first neck dec and 44 (48-52) sts to lower edge. 161 (175-189) sts. **Do not join.** Working back and forth across needle in rows, proceed as follows:

Work 3 rows in seed st pat as given for Back.

Girl's Version: 4th row: (RS). Pat across 2 sts. *Cast off 2 sts. Pat across 8 (9-10) sts (including st on needle after cast off). Rep from * 3 times more. Cast off 2 sts. Pat to end of row.

Boy's Version: 4th row: (RS). Pat to last 44 (48-52) sts. *Cast off 2 sts. Pat across 8 (9-10) sts (including st on needle after cast off). Rep from * 3 times more. Cast off 2 sts. Pat to end of row.

Both Versions: 5th row: Work in pat, casting on 2 sts over cast off sts.

Work a further 2 rows in pat.

8th row: With MC, knit. Cast off knitways (WS).

Place markers on Front and Back side edges 5½ (6-6½) ins [14 (15-16.5) cm] down from shoulder seams. Sew in sleeves between markers. Sew side and sleeve seams. Sew buttons in position.

CAP

With smaller needles cast on 85 sts.

Work 8 rows in seed st pat as given for Back of Cardigan, inc 4 sts evenly across last row. 89 sts.

Change to larger needles and proceed in stripe pat for 22 rows.

Shape top: Keeping cont of stripe pat, proceed as follows:

1st row: (RS). *K9. K2tog. Rep from * to last st. K1.

2nd and alt rows: Purl.

3rd row: *K8. K2tog. Rep from * to last st. K1.

5th row: *K7. K2tog. Rep from * to last st. K1.

7th row: *K6. K2tog. Rep from * to last st. K1.

9th row: *K5. K2tog. Rep from * to last st. K1.

11th row: *K4. K2tog. Rep from * to last st. K1.

13th row: *K3. K2tog. Rep from * to last st. K1.

15th row: *K2. K2tog. Rep from * to last st. K1.

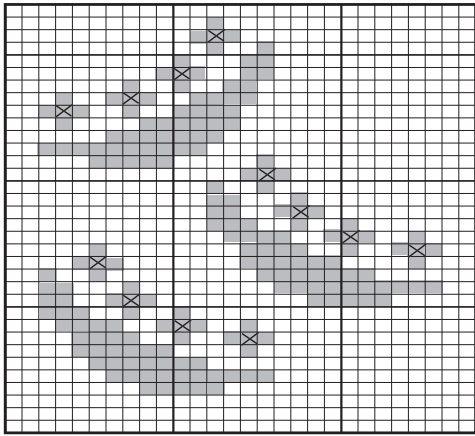
17th row: *K1. K2tog. Rep from * to last st. K1.

19th row: *K2tog. Rep from * to last st. K1. 9 sts.

Break yarn leaving a long end.

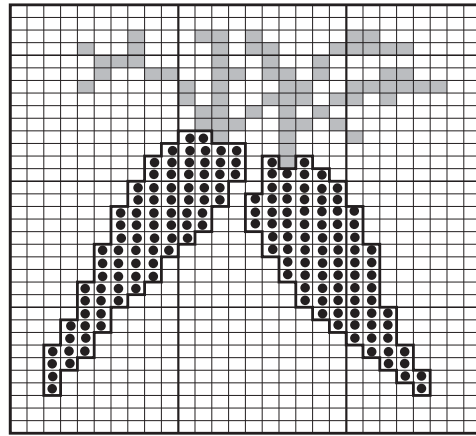
Draw end through rem sts and fasten securely. Sew center back seam.

CHART I

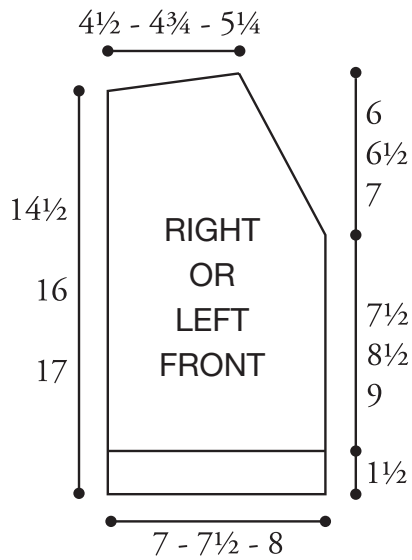
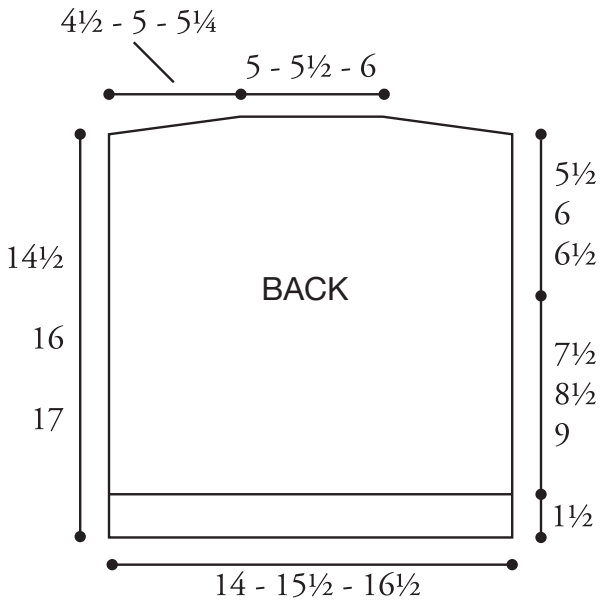
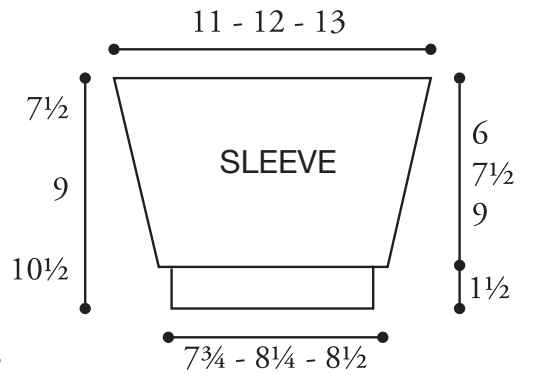
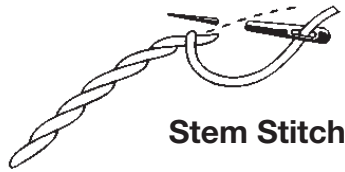


- Key
- = Contrast E
 - = Contrast B
 - x = Contrast B, MB
(RS or WS, push bobble to RS)

CHART II



- Key
- = Contrast D
 - = Contrast B
 - = Contrast C



Patons

... a part of your life.

P.O. Box 40, Listowel ON N4W 3H3