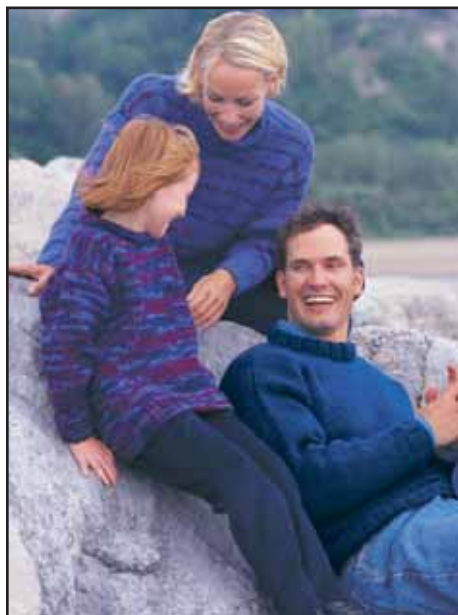


Patons
Classic Wool

Patons
DECOR



BIG-STITCH PULLOVER (Child)

SIZES

Chest measurement

4	24	ins	[61	cm]
6	26	ins	[66	cm]
8	28	ins	[71	cm]
10	30	ins	[76	cm]

Finished chest

4	29	ins	[73.5	cm]
6	32	ins	[81.5	cm]
8	33½	ins	[85	cm]
10	39	ins	[99	cm]

MATERIALS

Patons Classic Wool (100 g/3.5 oz)
or Patons Décor (100 g/3.5 oz)
Size 4 6 8 10
4 4 6 6 balls

Size 8 mm (U.S. 11) knitting
needles or size needed to obtain
tension. 2 st holders.

TENSION

11 sts and 16 rows = 4 ins [10 cm]
with 2 strands of yarn in stocking st.

INSTRUCTIONS

*The instructions are written for
smallest size. If changes are
necessary for larger sizes the
instructions will be written thus ().*

BACK

**With 2 stands of yarn, cast on 38
(41-44-47) sts.

1st row: (RS). K2. *P1. K2. Rep
from * to end of row.

2nd row: P2. *K1. P2. Rep from *
to end of row.

Rep these 2 rows (K2. P1) ribbing
for 2 ins [5 cm] ending on a 2nd
row and inc 2 (3-2-3) sts evenly
across last row. 40 (44-46-50) sts.

Proceed in stocking st until work
from beg measures 10 (11½-13-
13½) ins [25.5 (29-33-34.5) cm]
ending with RS facing for next
row.

Armhole shaping: Cast off 2 sts
beg next 2 rows. 36 (40-42-46) sts.**
Cont in stocking st until work from
beg measures 17 (19-21-22) ins
[43 (48-53.5-56) cm] ending with
RS facing for next row.

Shoulder shaping: Cast off 4 (5-
5-6) sts beg next 2 rows then 5
(6-6-7) sts beg following 2 rows.
Leave rem 18 (18-20-20) sts on a
st holder.

FRONT

Work from ** to ** as given for
Back.

Cont in stocking st until work from
beg measures 14 (16-18-19) ins
[35.5 (40.5-45.5-48) cm] ending
with RS facing for next row.

Neck shaping: Next row: K15
(17-18-20) (neck edge). Turn.
Leave rem sts on spare needle.

Dec 1 st at neck edge on next 6
(6-7-7) rows. 9 (11-11-13) sts.

Cont even in stocking st until work
from beg measures 18 (20-22-24)
ins [45.5 (51-56-61) cm] ending
with RS facing for next row.

Shoulder shaping: Cast off 4 (5-
5-6) sts beg next row. Work 1 row
even. Cast off rem 5 (6-6-7) sts.

With RS of work facing, slip next 6
sts from spare needle onto a st
holder. Join yarn to rem sts and
knit to end of row.



ABBREVIATIONS: www.patonsyarns.com/glossary

Dec 1 st at neck edge on next 6 (6-7-7) rows. 9 (11-11-13) sts.

Cont even in stocking st until work from beg measures 17 (19-21-22) ins [43 (48-53.5-56) cm] ending with **WS** facing for next row.

Shoulder shaping: Cast off 4 (5-5-6) sts beg next row. Work 1 row even. Cast off rem 5 (6-6-7) sts.

SLEEVES

With 2 strands of yarn, cast on 23 sts.

Work in (K2, P1) ribbing as given for Back for 2 ins [5 cm] ending on a 2nd row.

Cont in stocking st, inc 1 st each end of needle on 3rd and every 4th row to 39 (41-45-47) sts. Cont even in stocking st until work from beg measures 11½ (13-15-15½) ins [29 (33-38-39.5) cm] ending with RS facing for next row. Cast off.

FINISHING

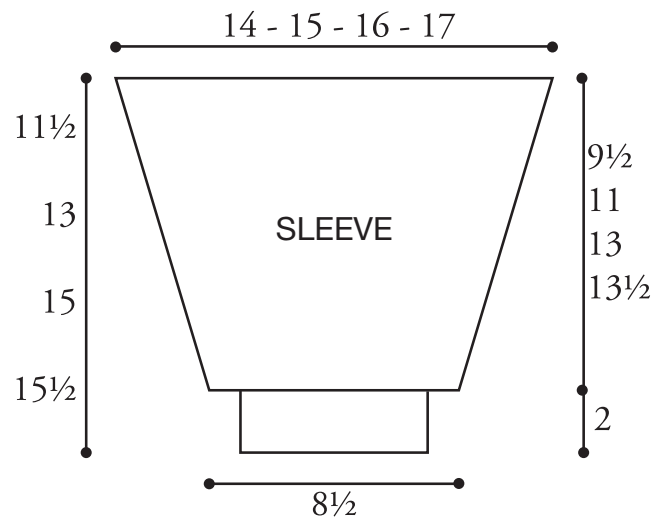
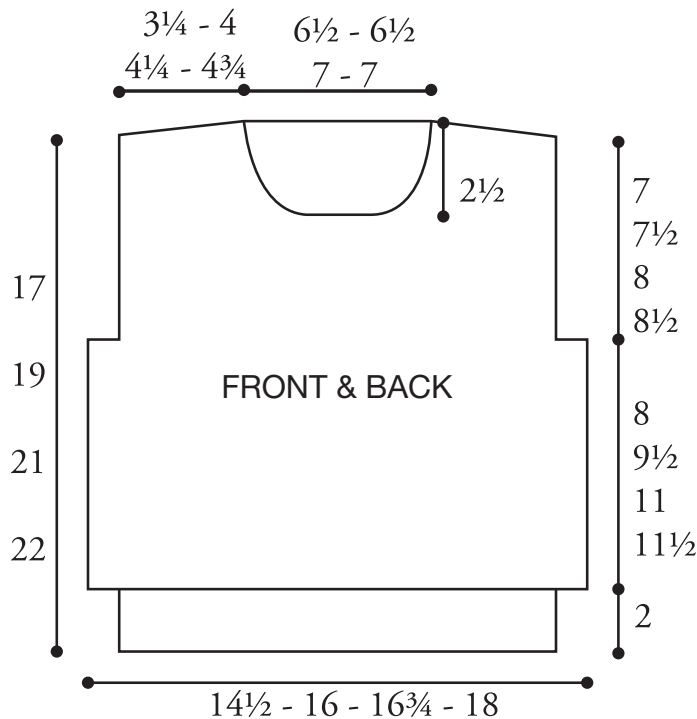
Pin garment pieces to measurements. Cover with a damp cloth leaving to dry.

Neckband: Sew right shoulder seam. With RS of work facing and 2 strands of yarn, pick up and knit 9 (9-12-12) sts down left front neck edge. Knit across 6 sts from

front st holder. Pick up and knit 9 (9-12-12) sts up right front neck edge. Knit across 18 (18-20-20) sts from back st holder. 42 (42-50-50) sts.

Next row: Beg with purl row, work in stocking st for 2 ins [5 cm] ending with RS facing for next row. Cast off.

Sew left shoulder and neckband seam reversing seam for turnback. Sew in sleeves. Sew side and sleeve seams.



Patons

... a part of your life.

P.O. Box 40, Listowel ON N4W 3H3