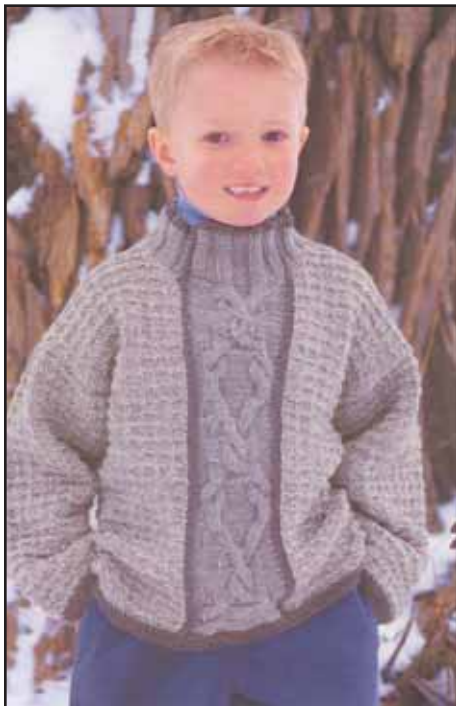


Patons
Classic Wool

Patons
DECOR



**FADED CABLE PANEL
(FOR BOY)**

SIZES

Chest measurement

4	24	ins	[61	cm]
6	26	ins	[66	cm]
8	28	ins	[71	cm]
10	30	ins	[76	cm]

Finished chest

4	29½	ins	[75	cm]
6	32	ins	[81	cm]
8	34½	ins	[87.5	cm]
10	37	ins	[94	cm]

MATERIALS

Patons Classic Wool (100 g/3.5 oz)
or **Patons Décor** (100 g/3.5 oz)

Sizes 4 6 8 10

Main Color (MC) (Lt Grey)

3 4 4 5 **balls**

Contrast A (Med Grey)

1 1 1 1 **ball**

Contrast B (Dark Grey)

1 1 1 1 **ball**

Sizes 4 mm (U.S. 6) and 4.5 mm (U.S. 7) knitting needles **or size needed to obtain tension.** Cable needle. 2 st holders.

TENSION

20 sts and 26 rows = 4 ins [10 cm] with larger needles in stocking st.

ABBREVIATIONS

C6F = slip next 3 sts onto a cable needle and leave at front of work. K3, then K3 from cable needle.

C6B = slip next 3 sts onto a cable needle and leave at back of work. K3, then K3 from cable needle.

T6F = slip next 3 sts onto a cable needle and leave at front of work. P3, then K3 from cable needle.

T6B = slip next 3 sts onto a cable needle and leave at back of work. K3, then P3 from cable needle.

INSTRUCTIONS

The instructions are written for smallest size. If changes are necessary for larger sizes the instructions will be written thus ().

PANEL PATTERN (worked over 24 sts)

1st row: (RS). P9. K6. P9.

2nd row: K9. P6. K9.

3rd row: P6. K3. C6F. K3. P6.

4th row: K6. P12. K6.

5th row: P6. K12. P6.

6th and 7th rows: As 4th and 5th rows.

8th row: As 4th row.

9th row: P3. K3. T6B. T6F. K3. P3.

10th row: K3. P6. K6. P6. K3.

11th row: P3. K6. P6. K6. P3.

12th and 13th rows: As 10th and 11th rows.

14th row: As 10th row.

15th row: P3. T6B. P6. T6F. P3.

16th row: K3. P3. K12. P3. K3.



ABBREVIATIONS: www.patonsyarns.com/glossary

17th row: P3. K3. P12. K3. P3.
18th and 19th rows: As 16th and 17th rows.
20th row: As 16th row.
21st row: P3. C6F. P6. C6B. P3.
22nd to 25th rows: As 10th and 11th rows twice.
26th row: As 10th row.
27th row: P6. C6F. C6B. P6.
28th to 31st rows: As 4th and 5th rows twice.
32nd row: As 4th row.
33rd row: P9. C6F. P9.
34th row: As 2nd row.
35th row: As 1st row.
36th row: As 2nd row.
These 36 rows form Panel Pattern.

CENTER FRONT PANEL

With larger needles and A, cast on 24 sts.
Beg on row 35 (**29-17-11**) of pat, proceed in panel pat until 86 (**92-104-110**) rows in total have been worked, thus ending with a 12th row of panel pat.

Neck shaping: Next row: (RS). P3. K3 (neck edge). **Turn.** Leave rem 18 sts on a spare needle.
Keeping cont of panel pat, dec 1 st at neck edge on next 5 rows. Fasten off rem st.

With RS of work facing slip next 12 sts from spare needle onto a st holder. Join yarn to rem sts and pat to end of row.

Keeping cont of panel pat, dec 1 st at neck edge on next 5 rows. Fasten off rem st.

FRONT SIDE PANELS

Left Side: ***With larger needles and MC, cast on 25 (**28-31-34**) sts.

1st row: Knit.

2nd row: Purl.

3rd row: K1. *P2. K1. Rep from * to end of row.

4th row: Purl.

These 4 rows form check pat.

Cont in check pat until work from beg measures same length as Center Front Panel to end of neck shaping (approx 14½ (**15½-17½-19**) ins [37 (**39-44.5-48**) cm]), ending with RS facing for next row.***

Neck shaping: Next row: Pat to last 2 sts. Work 2 tog (neck edge). Keeping cont of pat, dec 1 st at neck edge of row on next 3 rows. 21 (**24-27-30**) sts.

Work 6 (**10-10-12**) rows even in pat, ending with RS facing for next row.

Shoulder shaping: Cast off 7 (**8-9-10**) sts beg next and following alt row. Work 1 row even in pat. Cast off rem 7 (**8-9-10**) sts.

Right Side: Work from *** to *** as given for Left Side.

Neck shaping: Next row: Work 2tog (neck edge). Pat to end of row. Keeping cont of pat, dec 1 st at neck edge on next 3 rows. 21 (**24-27-30**) sts.

Work 7 (**11-11-13**) rows even in pat, ending with WS facing for next row.

Shoulder shaping: Cast off 7 (**8-9-10**) sts beg next and following alt row. Work 1 row even in pat. Cast off rem 7 (**8-9-10**) sts.

BACK

With smaller needles and B, cast on 69 (**75-81-87**) sts.

Knit 5 rows (garter st) noting that first row is WS and inc 4 sts evenly across last row. 73 (**79-85-91**) sts.

Change to MC, larger needles and proceed in check pat as given for Front Side Panels until work from beg measures same length as Side Panels to beg of shoulder shaping, ending with RS facing for next row.

Shoulder shaping: Cast off 7 (8-9-10) sts beg next 4 rows, then cast off 7 (8-9-10) sts beg following 2 rows. Leave rem 31 sts on a st holder.

SLEEVES

With smaller needles and B, cast on 33 (33-36-39) sts.

Knit 5 rows noting that first row is WS and inc 4 sts evenly across last row. 37 (37-40-43) sts.

Change to MC, larger needles and proceed in check pat as given for Front Side Panels inc 1 st at each end of 5th and every following 4th row until there are 61 (65-70-75) sts, taking inc sts into pat.

Cont even in pat until work from beg measures 10½ (12-13½-15) ins [26.5 (30.5-34-38) cm] ending with RS facing for next row. Cast off in pat.

FINISHING

Pin garment pieces to measurements and cover with a damp cloth allowing cloth to dry.

Collar for Center Panel: With RS of work facing, A and smaller needles, pick up and knit 6 sts

down left front neck edge. (K3. P6. K3) across 12 sts from front st holder. Pick up and knit 6 sts up right front neck edge. 24 sts.

Proceed in rib pat as follows:

1st row: (WS). P3. K3. P3. K6. P3. K3. P3.

2nd row: K3. P3. K3. P6. K3. P3. K3. Rep last 2 rows until Collar measures 2½ ins [6 cm].

Change to A and work 2 rows in rib pat.

Cast off in rib pat.

Collar for Body: Sew shoulder seams. With RS of work facing, A and smaller needles, pick up and knit 10 (10-13-13) sts up right front neck edge. K31 from back st holder. Pick up and knit 10 (10-13-13) sts down left front neck edge. 51 (51-57-57) sts.

Proceed in rib pat as follows:

1st row: (WS). *K3. P3. Rep from * to last 3 sts. K3.

2nd row: *P3. K3. Rep from * to last 3 sts. P3.

Rep last 2 rows until Collar measures 2½ ins [6 cm].

Change to B and work 2 rows in rib pat.

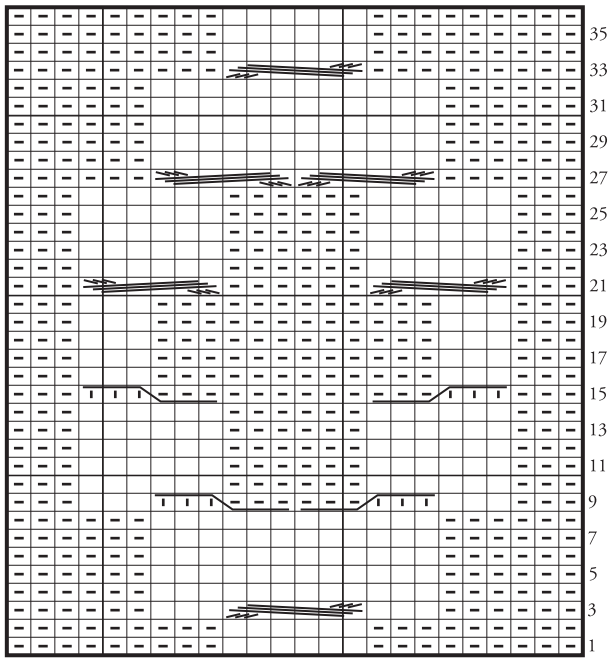
Cast off loosely in rib pat.

Joining Front Panels: With RS of work facing, B and larger needles, pick up and knit 12 sts down from side of Collar. Pick up and knit 77 (87-96-100) sts down center front side of Left Side Panel beg at neck shaping. With RS of work facing and another ball of B, pick up and knit 12 sts down side of Collar edge, then pick up and knit 77 (87-96-100) sts down left side of Center Front Panel beg at lower edge with RS of work facing. Slip these sts onto an additional needle so that you are working from the bottom of each panel. With B and knitting 1 st from each needle tog, cast off all sts loosely. Rep on other side of Center Front Panel and Right Side Panel.

Lower Edging: With RS of work facing, smaller needles and B, pick up and knit 69 (75-81-87) sts along lower edge of joined front. Knit 4 rows. Cast off loosely (WS).

Place markers on front and back side edges 6 (6½-7-7½) ins [15 (16.5-18-19) cm] down from shoulder seams. Sew in sleeves between markers. Sew side and sleeve seams.

PANEL PAT



Start Here

Key

 = Knit on RS and purl on WS.

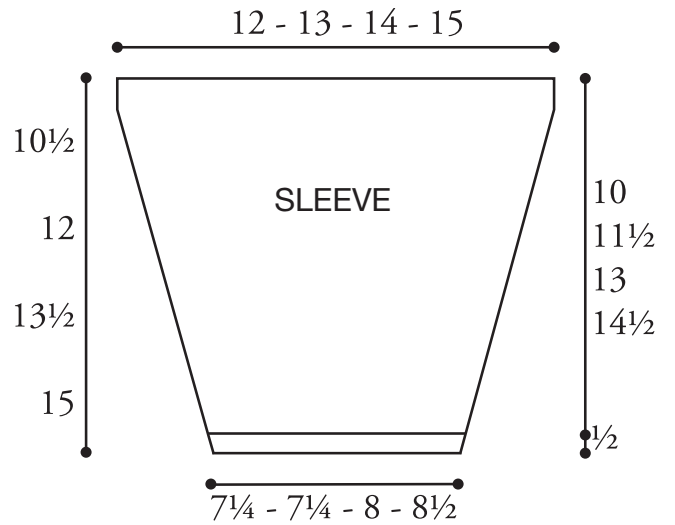
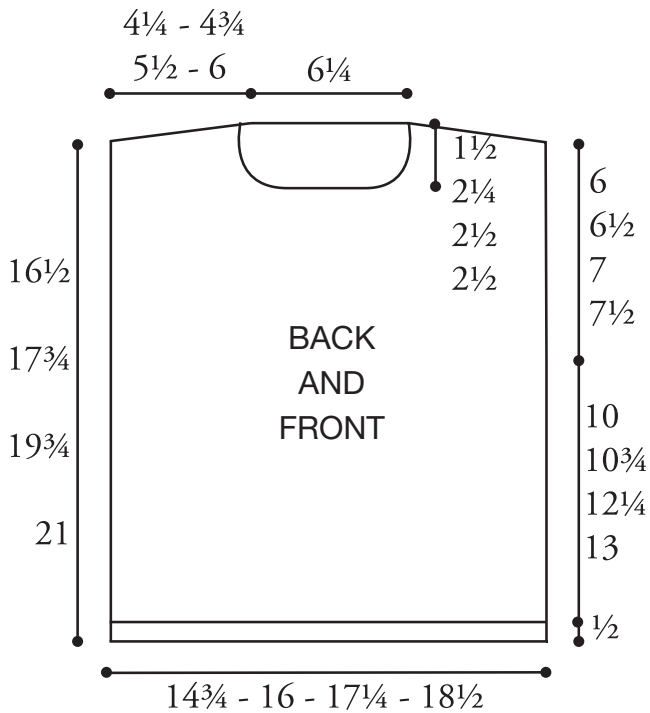
 = Purl on RS and knit on WS.

 = C6F

 = C6B

 = T6F

 = T6B



 Patons

... a part of your life.

P.O. Box 40, Listowel ON N4W 3H3