

# Patons® Canadiana

Patons  
DECOR



## MAKING TRACKS

### SIZES

#### Chest measurement

4	24	ins	[61	cm]
6	26	ins	[66	cm]
8	28	ins	[71	cm]
10	30	ins	[76	cm]
12	32	ins	[81	cm]

#### Finished chest

4	30	ins	[76	cm]
6	33	ins	[84	cm]
8	36	ins	[91	cm]
10	38	ins	[97	cm]
12	40½	ins	[103	cm]

## MATERIALS

Patons Canadiana (100 g/3.5 oz)  
or Patons Décor (100 g/3.5 oz)

Size 4 6 8 10 12

Main color (MC) (Red)

3 4 4 5 5 balls

Contrast A (Black)

1 1 1 1 1 ball

Sizes 4 mm (U.S. 5) and 4.5 mm  
(U.S. 7) knitting needles or size  
needed to obtain tension. 4 st  
holders.

## TENSION

20 sts and 26 rows = 4 ins [10 cm]  
with larger needles in stocking st.

## INSTRUCTIONS

*The instructions are written for  
smallest size. If changes are  
necessary for larger sizes the  
instructions will be written thus ( ).*

**Note:** When working color block  
sections, wind small balls of the  
colors to be used, one for each  
separate area of color in the  
design. Start new colors at  
appropriate points. To change  
colors, twist the two colors  
around each other where they  
meet, on WS, to avoid a hole.

## BACK

\*\*With MC and smaller needles  
cast on 71 (79-87-91-97) sts.

Work 4 rows stocking st.

**1st row:** (RS). K1. \*P1. K1. Rep  
from \* to end of row.

**2nd row:** P1. \*K1. P1. Rep from  
\* to end of row.

Rep these 2 rows twice more inc  
5 (3-3-5-5) sts evenly across last  
row. 76 (82-90-96-102) sts.

Change to larger needles and  
proceed in stocking st until Back  
from beg measures 2 (3-4-5-5) ins  
[5 (7.5-10-12.5-12.5) cm], ending  
with RS facing for next row.

**Next row:** With MC, K2 (5-9-12-  
15). (With A, K8. With MC, K8)  
4 times. With A, K8. With MC, K2  
(5-9-12-15).

**Next row:** With MC, P2 (5-9-12-  
15). (With A, P8. With MC, P8)  
4 times. With A, P8. With MC, P2  
(5-9-12-15).

Rep these 2 rows 9 times more.

With MC, cont even until work  
from beg measures 9½ (10½-  
11½-13-14½) ins [24 (26.5-29-  
33-37) cm] ending with RS  
facing for next row.

**Raglan shaping:** Cast off 2 (2-  
3-4-4) sts beg next 2 rows.



ABBREVIATIONS: [www.patonsyarns.com/glossary](http://www.patonsyarns.com/glossary)

Patons®

... a part of your life.

P.O. Box 40, Listowel ON N4W 3H3

**1st row:** K1. Sl1. K1. pss0. Knit to last 3 sts. K2tog. K1.

**2nd row:** Purl.\*\*

Rep last 2 rows to 28 (**30-32-32-34**) sts ending with RS facing for next row. Leave rem sts on a st holder.

## FRONT

Work from \*\* to \*\* as given for Back.

Rep last 2 rows to 46 (**50-52-54-56**) sts ending with RS facing for next row.

**Neck shaping: Next row:** K1. Sl1. K1. pss0. K12 (**14-14-15-15**) (neck edge). **Turn.** Leave rem sts on a spare needle.

Purl 1 row.

**1st row:** K1. Sl1. K1. pss0. Knit to last 2 sts. K2tog.

**2nd row:** Purl.

Rep these 2 rows 3 (**4-4-4-4**) times more. 6 (**6-6-7-7**) sts.

**1st row:** K1. Sl1. K1. pss0. Knit to end of row.

**2nd row:** Purl.

Rep these 2 rows 1 (**1-1-2-2**) times more. 4 sts.

**Next row:** K1. Sl1. K1. pss0. K1.

**Next row:** Purl.

**Next row:** K1. Sl1. K1. pss0.

**Next row:** Purl.

**Next row:** Sl1. K1. pss0. Fasten off.

With RS of work facing slip next 16 (**16-18-18-20**) sts from spare needle onto a st holder. Join yarn to rem sts and knit to last 3 sts. K2tog. K1.

Purl 1 row.

**1st row:** Sl1. K1. pss0. Knit to last 3 sts. K2tog. K1.

**2nd row:** Purl.

Rep these 2 rows 3 (**4-4-4-4**) times more. 6 (**6-6-7-7**) sts.

**1st row:** Knit to last 3 sts. K2tog. K1.

**2nd row:** Purl.

Rep these 2 rows 1 (**1-1-2-2**) times more. 4 sts.

**Next row:** K1. K2tog. K1.

**Next row:** Purl.

**Next row:** K2tog. K1.

**Next row:** Purl.

**Next row:** K2tog. Fasten off.

## SLEEVES

With MC and smaller needles cast on 31 (**33-33-35-35**) sts.

Work 4 rows stocking st.

**1st row:** (RS). K1. \*P1. K1. Rep from \* to end of row.

**2nd row:** P1. \*K1. P1. Rep from \* to end of row.

Rep these 2 rows twice more inc 13 sts evenly across last row. 44 (**46-46-48-48**) sts.

Change to larger needles and proceed in stocking st inc 1 st each end of needle on 5th and following alt rows to 52 (**54-56-56-56**) sts.

**Sizes 6, 8, 10 and 12 only:** Inc 1 st each end of needle on following 4th rows to (**62-68-70-70**) sts. Work 1 row even.

**All sizes:** Work Chart in stocking st to end of chart inc 1 st each end of needle on 3rd and every following 4th row. 62 (**72-78-80-80**) sts. Break A.

With MC, cont inc as before every 4th row from previous inc to 72 (**76-86-92-96**) sts.

Cont even until work from beg measures 10½ (**13-14½-15½-17**) ins [26.5 (**33-37-39.5-43**) cm] ending with RS facing for next row.

**Raglan shaping:** Cast off 2 (**2-3-4-4**) sts beg next 2 rows.

**1st row:** K1. Sl1. K1. pss0. Knit to last 3 sts. K2tog. K1.

**2nd row:** P1. P2tog. Purl to last 3 sts. P2togtbl. P1.

**3rd row:** As 1st row.

**4th row:** Purl.

Rep these 4 rows to 14 (**18-14-18-22**) sts.

**Next row:** K1. Sl1. K1. pss0. Knit to last 3 sts. K2tog. K1.

**Next row:** Purl.

Rep these 2 rows to 6 sts. Leave rem sts on a st holder.

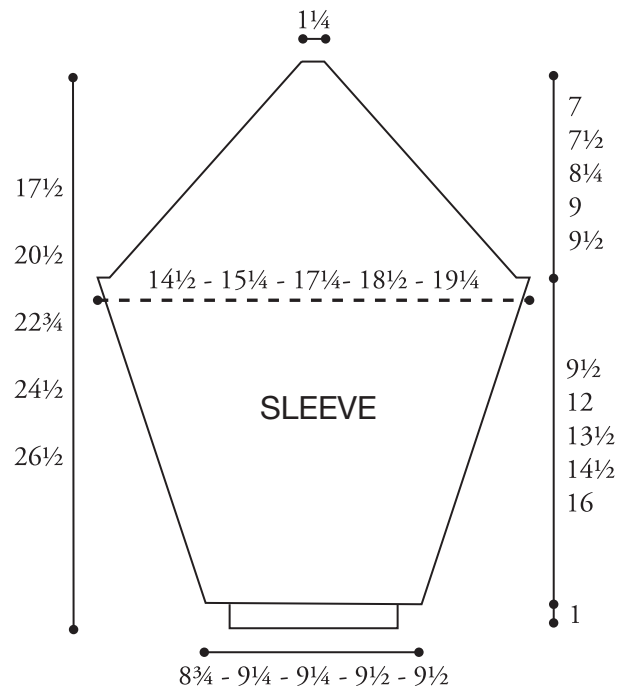
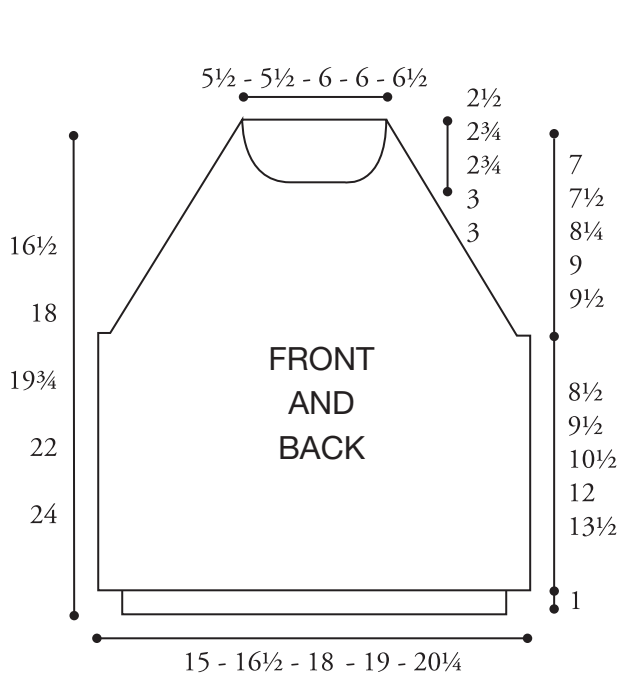
## FINISHING

Pin to measurements and cover with a damp cloth leaving to dry.

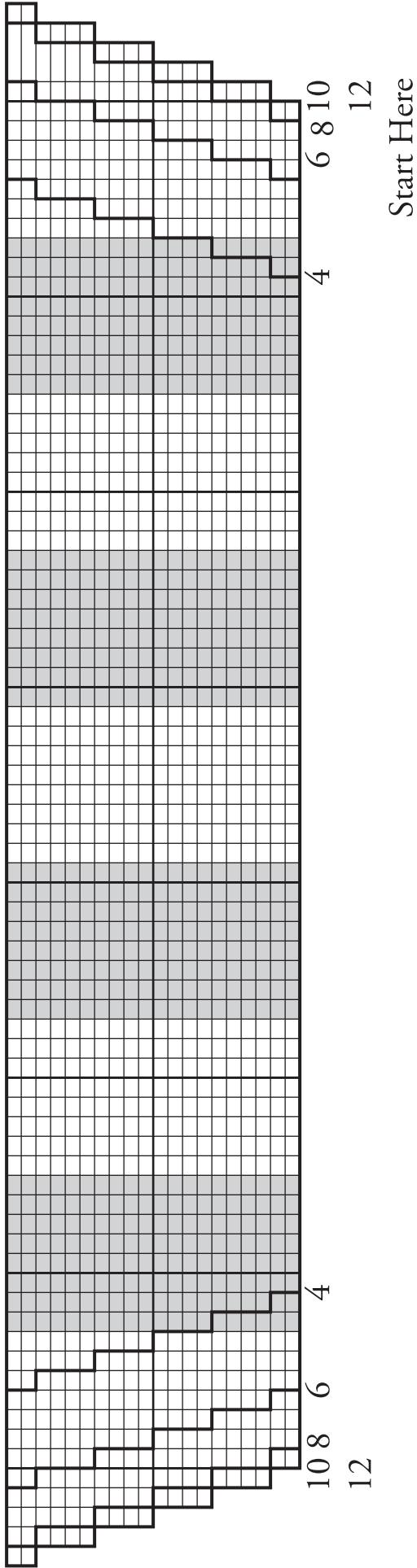
**Neckband:** Sew raglan seams leaving left back raglan seam open. With RS of work facing, B and smaller needles, K6 from left sleeve st holder. Pick up and knit 15 (**17-17-19-19**) sts down left front neck edge. K16 (**16-18-18-20**) sts from front st holder. Pick up and knit 15 (**17-17-19-19**) sts up right front neck edge. K6 from right sleeve st holder. Knit across 28 (**30-32-32-34**) sts from back st holder dec 1 st in center. 85 (**91-95-99-103**) sts.

Beg on a 2nd row, work 5 rows in (K1. P1) ribbing as given for Back. Work 4 rows in stocking st. Cast off loosely.

Sew left back raglan and neckband seam. Sew side and sleeve seams.



# CHART



Key

□ = MC

■ = Contrast A