



GIRL'S CUDDLY CABLES CARDIGAN

SIZES

Chest measurement

4	22 ins	[56 cm]
6	24 ins	[61 cm]
8	26 ins	[66 cm]

Finished chest

4	27 ins	[71 cm]
6	33 ins	[84 cm]
8	35 ins	[89 cm]

MATERIALS

Patons Classic Wool (100 g/3.5 oz)
or Patons Décor (100 g/3.5 oz)

Size	4	6	8	
	4	4	5	balls

Sizes 3.75 mm (U.S. 5) and 4.5 mm (U.S. 7) knitting needles or size needed to obtain tension. Cable needle. 5 buttons.

TENSION

20 sts and 26 rows = 4 ins [10 cm] with larger needles in stocking st.

ABBREVIATIONS

C4B = slip next 2 sts onto a cable needle and leave at back of work. K2, then K2 from cable needle.

C4F = slip next 2 sts onto a cable needle and leave at front of work. K2, then K2 from cable needle.

INSTRUCTIONS

The instructions are written for smallest size. If changes are necessary for larger sizes the instructions will be written thus ().

BACK

With smaller needles, cast on 75 (93-99) sts. Knit 9 rows (garter st), noting that first row is WS and inc 20 sts evenly across last row. 95 (113-119) sts.

Change to larger needles and proceed as follows:

1st and 3rd rows: (RS). Knit.

2nd and alt rows: K5 (3-6). *P8. K3. Rep from * to last 2 (0-3) sts. K2 (0-3).

5th row: K5 (3-6). *C4B. C4F. K3. Rep from * to last 2 (0-3) sts. K2 (0-3).

These 6 rows form pat.

Cont in pat until work from beg measures 8½ (9½-10½) ins [21.5 (24-26.5) cm] ending with RS facing for next row.

Armhole shaping: Keeping cont of pat, cast off 13 (11-14) sts beg next 2 rows. 69 (91-91) sts.

Cont in pat until work from beg measures 15 (16½-18) ins [38 (42-45.5) cm], ending with RS facing for next row.

Next row: Cast off 19 (29-29) sts. Pat across 31 (33-33) sts. Slip these sts onto a st holder. Cast off rem 19 (29-29) sts.

LEFT FRONT

With smaller needles, cast on 40 (49-52) sts.



ABBREVIATIONS: www.patonsyarns.com/glossary

Knit 9 rows (garter st), noting that first row is WS and inc 10 sts evenly across last row. 50 (59-62) sts.

Change to larger needles and proceed as follows:

1st and 3rd rows: (RS). Knit.

2nd and alt rows: K4. *P8. K3. Rep from * to last 2 (0-3) sts. K2 (0-3).

5th row: K5 (3-6). *C4B. C4F. K3. Rep from * to last st. K1.

These 6 rows form pat.

Cont in pat until work from beg measures 8½ (9½-10½) ins [21.5 (24-26.5) cm] ending with RS facing for next row.

Armhole shaping: Keeping cont of pat, cast off 13 (11-14) sts beg next row. 37 (48-48) sts.

Cont in pat until work from beg measures 12½ (14-15½) ins [32 (35.5-39.5) cm], ending with **WS** facing for next row.

Neck shaping: Next row: Cast off 10 sts (neck edge). Pat to end of row.

Keeping cont of pat, dec 1 st at neck edge on next 5 rows, then every alt row to 19 (29-29) sts.

Cont even until work from beg measures the same length as Back to shoulder, ending with

RS facing for next row. Cast off.

Place markers for 5 buttons along button band on Left Front, having top button ½ in [1 cm] down from neck shaping and bottom button ½ in [1 cm] above cast-on edge.

Buttonholes are worked on Right Front as follows:

Next row: (RS). K2. Cast off 2 sts. K1. Pat to end of row.

Next row: Work in pat, casting on 2 sts over cast off sts.

RIGHT FRONT

With smaller needles, cast on 40 (49-52) sts. Knit 5 rows, noting that first row is wrong side.

Next row: (RS). K2. Cast off 2 sts. Knit to end of row.

Next row: Knit, casting on 2 sts over cast off sts.

Knit 2 rows, inc 10 sts evenly across last row. 50 (59-62) sts.

Change to larger needles and proceed as follows:

1st and 3rd rows: (RS). Knit.

2nd and alt rows: K2 (0-3). *K3. P8 Rep from *to last 4 sts. K4.

5th row: K4. *C4B. C4F. K3. Rep from * to last 2 (0-3) sts. K2 (0-3).

These 6 rows form pat.

Cont in pat until work from beg measures 8½ (9½-10½) ins

[21.5 (24-26.5) cm] ending with **WS** facing for next row.

Armhole shaping: Keeping cont of pat, cast off 13 (11-14) sts beg next row. 37 (48-48) sts.

Cont in pat until work from beg measures 12½ (14-15½) ins [32 (35.5-39.5) cm], ending with RS facing for next row.

Neck shaping: Next row: Cast off 10 sts (neck edge). Pat to end of row.

Work 1 row even.

Keeping cont of pat, dec 1 st at neck edge on next 5 rows, then every alt row until there are 19 (29-29) sts.

Cont even until work from beg measures the same length as Back to shoulder, ending with **WS** facing for next row. Cast off.

SLEEVES

With smaller needles, cast on 43 sts.

Knit 9 rows (garter st), noting that first row is WS and inc 15 sts evenly across last row. 58 sts.

Change to larger needles and proceed in pat as given for Back, inc 1 st each end of needle on 3rd and every alt row to 90 (84-88) sts then every following 4th

row to 96 (104-108) sts, taking inc sts into pat until you have 7 complete cable reps, then taking inc sts into garter st.

Cont even until work from beg measures 11 (11-12) ins [28 (28-30.5) cm] ending with RS facing for next row. Cast off.

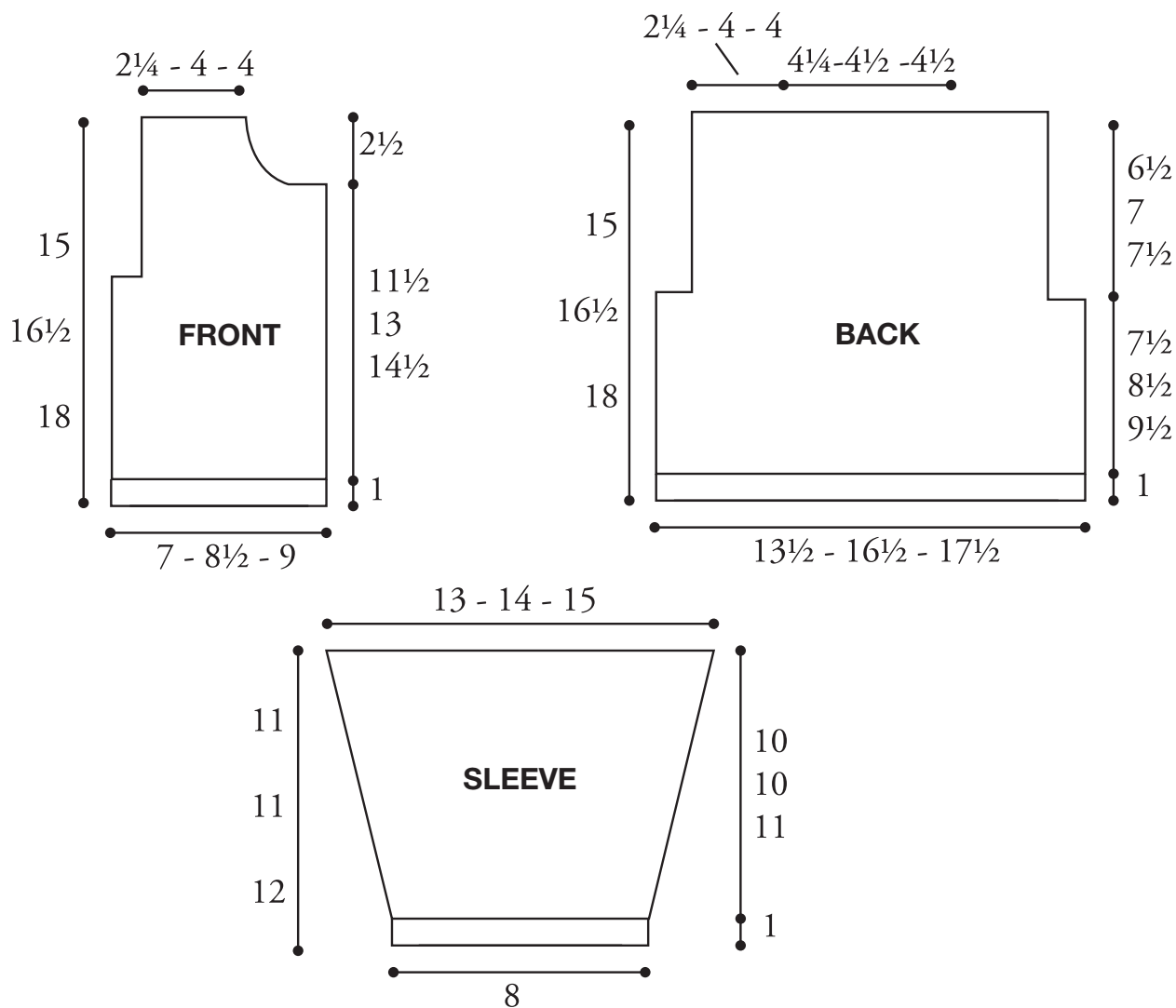
FINISHING

Pin to measurements and cover with a damp cloth, leaving to dry.

Collar: Sew shoulder seams. With RS of work facing, pick up and knit 18 (19-19) sts up right front neck edge, beg at center of button band. Knit across 31 (33-33) sts from back st holder, dec 8 sts evenly across. Pick up and knit 18 (19-19) sts down left front neck edge, ending at center of buttonhole band. 59 (63-63) sts.

Work in garter st until Collar from beg measures 2 ins [5 cm] ending with RS facing for next row. Cast off.

Place markers 2 ins [5 cm] down from cast off edge at each side of sleeve. Sew in sleeves, placing rows above markers between cast off sts at Front and Back armholes to form square armholes. Sew side and sleeves seams. Sew buttons on button band to correspond to buttonholes.



Patons

... a part of your life.

P.O. Box 40, Listowel ON N4W 3H3