



 KNIT | SKILL LEVEL: EASY

## MEASUREMENTS

### To fit chest measurement

**6 mos**                      **17" [43 cm]**  
**12 mos**                     **18" [45.5 cm]**

### Finished chest

**6 mos**                      **20" [51 cm]**  
**12 mos**                     **21" [53.5 cm]**

## GAUGE

24 sts and 32 rows = 4" [10 cm]  
 with larger needles in stocking st.

## MATERIALS

Patons® Beehive Baby Sport™ (3.5 oz/100 g; 359 yds/328 m)

SIZES	6	12	mos
Main Color (MC) Baby Grey (09045)	2	2	balls
Contrast A Rose Bud (09424)	1	1	ball

Sizes U.S. 4 (3.5 mm) and U.S. 5 (3.75 mm) knitting needles **or size needed to obtain gauge.** Snap fastener. Stitch holder. Two safety pins.

## INSTRUCTIONS

*The instructions are written for smaller size. If changes are necessary for larger size the instructions will be written thus ( ). Numbers for each size are shown in the same color throughout the pattern. When only one number is given in black, it applies to both sizes.*

## BODY

**Note:** Body is worked in one piece to armholes.

With smaller needles and A, cast on **120 (126)** sts.

Knit 9 rows (garter st), noting 1st row is WS. Break A.

Change to MC and larger needles. Proceed in stocking st until work from beg measures **7 (8)" [18 (20.5) cm]**, ending with a purl row.

**Divide for armholes: Next row:** (RS). **K26 (28)** (Right Front). **Turn.** Leave rem sts on a spare needle.

Cont even in stocking st on Right Front until armhole measures **2.5 (3)" [6 (7.5) cm]**, ending with a purl row.

**Shape neck: Next row:** (RS). K4. Slip these sts onto a safety pin (neck edge). Knit to end of row.

Dec 1 st at neck edge on next **4 (5)** rows. **18 (19)** sts.

Cont even in stocking st until armhole measures **4.5 (5)" [11.5 (12.5) cm]** ending with a purl row. Cast off.

With RS facing, join MC to rem sts on spare needle.

**Next row:** Cast off **6** sts. **K56 (58)** (Back). **Turn.** Leave rem sts on a spare needle.

Cont even in stocking st on Back sts until armhole measures same length as Right Front to shoulder, ending with a purl row.

**Next row:** Cast off **18 (19)** sts. Slip next 20 sts onto a st holder. Rejoin yarn and cast off rem **18 (19)** sts.

With RS facing, join MC to rem sts from spare needle.

**Next row:** Cast off 6 sts. **K26 (28)** (Left Front).

Cont even in stocking st on Left Front until armhole measures **2.5 (3)" [6 (7.5) cm]**, ending with a purl row.

**Neck shaping: Next row:** (RS). **K22 (24)** (neck edge). **Turn.** Slip last 4 sts onto a safety pin.

Dec 1 st at neck edge on next **4 (5)** rows. **18 (19)** sts.

Cont even in stocking st until armhole measures **4.5 (5)" [11.5 (12.5) cm]**, ending with a purl row. Cast off.

## SLEEVES

With smaller needles and A, cast on **36 (40)** sts.

Knit 9 rows (garter st), noting 1st row is WS. Break A.

Change to MC and larger needles. Proceed in stocking st for 2 rows. Inc 1 st at each end of next row and following alt rows to **44 (48)** sts, then every following 4th row until there are **54 (60)** sts.

Cont even in stocking st until work from beg measures **5.5 (7)" [14 (18) cm]** ending with a purl row. Place markers at each end of last row. Work 4 rows even. Cast off.

## FINISHING

Sew shoulder seams.

**Neckband:** With RS facing, smaller needles and A, K4 from Right Front safety pin. Pick up and knit 12 sts up Right Front neck edge. K20 from Back st holder, dec 2 sts evenly across. Pick up and knit 12 sts down Left Front neck edge. K4 from Left Front safety pin. 50 sts. Work 9 rows garter st. Cast off.

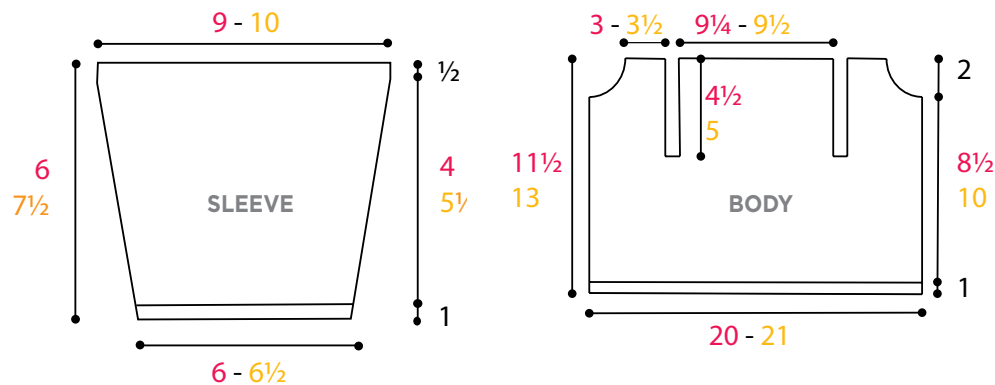
RS facing, smaller needles and A, pick up and knit **62 (71)** sts evenly along Right Front. Work 9 rows garter st. Cast off purlwise.

Rep for opposite side.

**Bow:** With larger needles and A, cast on 18 sts. Work 2" [5 cm] in stocking st, ending with a purl row. Cast off.

Wrap length of A around center of Bow and secure tightly. Sew to neckband as shown in photo.

Sew sleeve seams. Sew in sleeves placing rows above markers across cast off sts at armholes to form square armholes. Sew snap fastener to neckband to correspond to Bow.



## ABBREVIATIONS:

**Alt** = Alternate

**Beg** = Beginning

**Cont** = Continue(ity)

**Dec** = Decrease

**Inc** = Increase

**K** = Knit

**Rem** = Remaining

**RS** = Right Side

**St(s)** = Stitch(es)

**WS** = Wrong side