

Patons
Classic Wool

Patons
DECOR



HONEYCOMB CLASSIC

SIZES

Bust/chest measurement

Small	30-32 ins [76-81 cm]
Medium	34-36 ins [86.5-91.5cm]
Large	38-40 ins [97-102 cm]
Extra-Large	42-44ins [107-112cm]

Finished bust/chest

Small	40 ins [102 cm]
Medium	44 ins [112 cm]
Large	47 ins [119.5 cm]
Extra-Large	50 ins [127 cm]

MATERIALS

Patons Classic Wool (100 g/3.5 oz)
or Patons Décor (100 g/3.5 oz)

Size	S	M	L	XL
CREW NECK VERSION	10	10	11	12 balls

CROSS-OVER COLLAR VERSION	10	11	11	12 balls
---------------------------	----	----	----	----------

Sizes 4 mm (U.S. 6) and 5 mm (U.S. 8) knitting needles **or size needed to obtain tension**. 2 st holders. Cable needle.

TENSION

18 sts and 24 rows = 4 ins [10 cm] with larger needles in stocking st.

ABBREVIATIONS

KB1 = knit into back of next st.
C2B = knit into front of 2nd st on left hand needle, then knit into front of first st, slipping both sts off needle tog.
C6B = slip next 3 sts onto a cable needle and leave at back of work. K3, then K3 from cable needle.
C4B = slip next 2 sts onto a cable needle and leave at back of work. K2, then K2 from cable needle.
C4F = slip next 2 sts onto a cable needle and leave at front of work. K2, then K2 from cable needle.
T4B = slip next 2 sts onto a cable needle and leave at back of work. K2, then P2 from cable needle.
T4F = slip next 2 sts onto a cable needle and leave at front of work. P2, then K2 from cable needle.

T3B = slip next st onto a cable needle and leave at back of work. K2, then P1 from cable needle.

T3F = slip next 2 sts onto a cable needle and leave at front of work. P1, then K2 from cable needle.

C5F = slip next 2 sts onto a cable needle and leave at front of work. K2. P1, then K2 from cable needle.

INSTRUCTIONS

The instructions are written for smallest size. If changes are necessary for larger sizes, the instructions will be written thus: ().

PANEL PAT A (worked over 6 sts).

1st row: (RS). K6.

2nd and alt rows: P6.

3rd row: C6B.

5th row: K6.

6th row: P6.

These 6 rows form Panel Pat A.

PANEL PAT B (worked over 13 sts).

1st row: (RS). P3. T3B. K1. T3F. P3.

2nd and alt rows: Knit all knit sts and purl all purl sts as they appear.

3rd row: P2. T3B. K1. P1. K1. T3F. P2.

5th row: P1. T3B. (K1. P1) twice. K1. T3F. P1.

7th row: T3B. (K1. P1) 3 times. K1. T3F.

9th row: T3F. (P1. K1) 3 times. P1. T3B.

11th row: P1. T3F. (P1. K1) twice. P1. T3B. P1.

13th row: P2. T3F. P1. K1. P1. T3B. P2.

15th row: P3. T3F. P1. T3B. P3.

17th row: P4. C5F. P4.

18th row: As 2nd row.

These 18 rows form cable Panel Pat B.



ABBREVIATIONS: www.patonsyarns.com/glossary

PANEL PAT C (worked over 34 sts).
1st row: (RS). P3. C4B. (P4. C4B) 3 times. P3.
2nd and alt rows: Knit all knit sts and purl all purl sts as they appear.
3rd row: P1. (T4B. T4F) 4 times. P1.
5th row: P1. K2. P4. (C4F. P4) 3 times. K2. P1.
7th row: P1. (T4F. T4B) 4 times. P1.
8th row: As 2nd row.
These 8 rows form Panel Pat C.

CREW NECK VERSION

BACK

**With smaller needles, cast on 101 (107-111-115) sts.

1st row: *KB1. P1. Rep from * to last st. KB1.

2nd row: *P1. KB1. Rep from * to last st. P1.

Rep last 2 rows twisted ribbing 5 times more inc 35 (39-45) sts evenly across last row. 136 (146-156-160) sts.

Change to larger needles and proceed in pat as follows:

1st row: (RS). (P1. Work 1st row Panel Pat A) 0 (1-0-0) time. P4 (2-2-4). C2B. P2. (Work 1st row Panel Pat A. P2. C2B. P2) 2 (2-3-3) times. Work 1st row Panel Pat B. P2. C2B. P2. Work 1st row Panel Pat C. P2. C2B. P2. Work 1st row Panel Pat B. (P2. C2B. P2. Work 1st row Panel Pat A) 2 (2-3-3) times. P2. C2B. P4 (2-2-4). (Work 1st row Panel Pat A. P1) 0 (1-0-0) time.

2nd row: (K1. Work 2nd row Panel Pat A) 0 (1-0-0) time. K4 (2-2-4). P2. K2. (Work 2nd row Panel Pat A. K2. P2. K2) 2 (2-3-3) times. Work 2nd row Panel Pat B. K2. P2. K2. Work 2nd row Panel Pat C. K2. P2. K2. Work 2nd row Panel Pat B. (K2. P2.

K2. Work 2nd row Panel Pat A) 2 (2-3-3) times. K2. P2. K4 (2-2-4). (Work 2nd row Panel Pat A. K1) 0 (1-0-0) time.

These 2 rows form pat. Panel pats are now in position.

Cont in pat, keeping cont of panel pats, until work from beg measures 16 (16-16¾-17½) ins [40.5 (40.5-42.5-44.5) cm], ending with RS facing for next row.

Armhole shaping: Keeping cont of pat, cast off 12 (14-14-15) sts beg next 2 rows. 112 (118-128-130) sts.** Dec 1 st each end of needle on next 7 (9-11-10) rows, then on following alt rows until there are 80 (82-88-92) sts.***

Cont even in pat until armhole measures 8½ (9-9¼-9½) ins [21.5 (23-23.5-24) cm] ending with RS facing for next row.

Shape shoulders: Keeping cont of pat, cast off 9 (9-10-11) sts beg next 2 rows, then 9 (10-11-12) sts beg following 2 rows. Leave rem 44 (44-46-46) sts on a st holder.

FRONT

Work from ** to *** as given for Back. Cont even in pat until armhole measures 5½ (6-6-6) ins [14 (15-15-15) cm] ending with RS facing for next row.

Shape neck: Next row: Pat across 28 (29-31-33) sts (neck edge). **Turn.** Leave rem sts on a spare needle. Keeping cont of pat, dec 1 st at neck edge on next 6 (8-6-8) rows, then on following alt rows until there are 18 (19-21-23) sts.

Cont even in pat until armhole measures same length as Back to beg of shoulder shaping ending with RS facing for next row.

Shoulder shaping: Keeping cont of pat, cast off 9 (9-10-11) sts beg next row. Work 1 row even in pat. Cast off rem 9 (10-11-12) sts.

With RS of work facing, slip next 24 (24-26-26) sts onto a st holder. Join yarn to rem sts and pat to end of row. Keeping cont of pat, dec 1 st at neck edge on next 6 (8-6-8) rows, then on following alt rows until there are 18 (19-21-23) sts.

Cont even in pat until armhole measures same length as Back to beg of shoulder shaping ending with WS facing for next row.

Shoulder shaping: Keeping cont of pat, cast off 9 (9-10-11) sts beg next row. Work 1 row even in pat. Cast off rem 9 (10-11-12) sts.

SLEEVES

With smaller needles cast on 41 (41-43-43) sts.

Work 12 rows in twisted ribbing as given for Back inc 8 (8-6-6) sts evenly across last row. 49 sts.

Change to larger needles and proceed in pat as follows:

1st row: (RS). P2. C2B. P2. Work 1st row Panel Pat A. P2. C2B. P2. Work 1st row Panel Pat B. P2. C2B. P2. Work 1st row Panel Pat A. P2. C2B. P2.

2nd row: K2. P2. K2. Work 2nd row Panel Pat A. K2. P2. K2. Work 2nd row Panel Pat B. K2. P2. K2. Work 2nd row Panel Pat A. K2. P2. K2. These 2 rows form pat. Panel pats are now in position.

Cont in pat, keeping cont of panel pats, inc 1 st each end of needle on next and following alt rows until there are 55 (59-63-67) sts, then on following 4th rows until there are 95 (99-103-107) sts taking inc sts into reps of (Panel Pat A. P2. C2B. P2).

Cont even in pat until work from beg measures 18 (19-20-20½) ins [45.5 (48-51-52) cm] ending with RS facing for next row.

Shape top: Keeping cont of pat, cast off 6 (7-7-8) sts beg next 2 rows. 83 (85-89-91) sts.

Dec 1 st each end of needle on next and following alt row(s) 1 (2-2-3) time(s) more. 79 (79-83-83) sts. Dec 1 st each end of needle on every row until there are 17 sts. Cast off in pat.

FINISHING

Pin pieces to measurements and cover with a damp cloth leaving to dry.

Neckband: Sew right shoulder seam. With RS of work facing and smaller needles, pick up and knit 19 (19-21-21) sts down left front neck edge. K24 (24-26-26) from front st holder, dec 3 sts evenly across. Pick up and knit 19 (19-21-21) sts up right front neck edge. K44 (44-46-46) from back st holder, dec 6 sts evenly across. 97 (97-105-105) sts.

Beg and ending on a 2nd row, work 3½ ins [9.5 cm] in twisted ribbing as given for Back. Cast off loosely in ribbing. Sew left shoulder and neckband seam. Fold neckband in half to WS and sew loosely in position.

Sew side and sleeve seams. Sew in sleeves.

CROSS-OVER COLLAR VERSION BACK

Work as given for Back of Crew Neck Version.

FRONT

Work from ** to ** as given for Back of Crew Neck Version.

Dec 1 st each end of needle on next 7 (9-11-10) rows, then on following alt rows 7 (7-6-7) times. 84 (86-94-96) sts. Work 1 row even in pat.

Shape collar opening: Next row: (RS). Work 2tog. Pat across 23 (24-28-29) sts (collar edge). **Turn.** Leave rem sts on a spare needle.

Work 1 row even in pat.

Next row: Work 2tog. Pat to last 2 sts.

Work 2tog.

Size L only: Work 1 row even in pat.

Next row: Work 2tog. Pat to end of row. 26 sts.

All Sizes: Keeping cont of pat, dec 1 st at collar edge only on following 4th rows from previous dec until there are 18 (19-21-23) sts.

Cont even in pat until armhole measures same length as Back to beg of shoulder shaping ending with RS facing for next row.

Shoulder shaping: Keeping cont of pat, cast off 9 (9-10-11) sts beg next row. Work 1 row even in pat. Cast off rem 9 (10-11-12) sts.

With RS of work facing, join yarn to rem sts and cast off next 34 sts. Pat to last 2 sts. Work 2tog.

Work 1 row even in pat.

Next row: Work 2tog. Pat to last 2 sts.

Work 2tog.

Size L only: Work 1 row even in pat.

Next row: Pat to last 2 sts. Work 2tog. 26 sts.

All Sizes: Keeping cont of pat, dec 1 st at collar edge only on following 4th rows from previous dec until there are 18 (19-21-23) sts.

Cont even in pat until armhole measures same length as Back to beg of shoulder shaping ending with WS facing for next row.

Shoulder shaping: Keeping cont of pat, cast off 9 (9-10-11) sts beg next row. Work 1 row even in pat. Cast off rem 9 (10-11-12) sts.

SLEEVES

Work as given for Sleeves of Crew Neck Version.

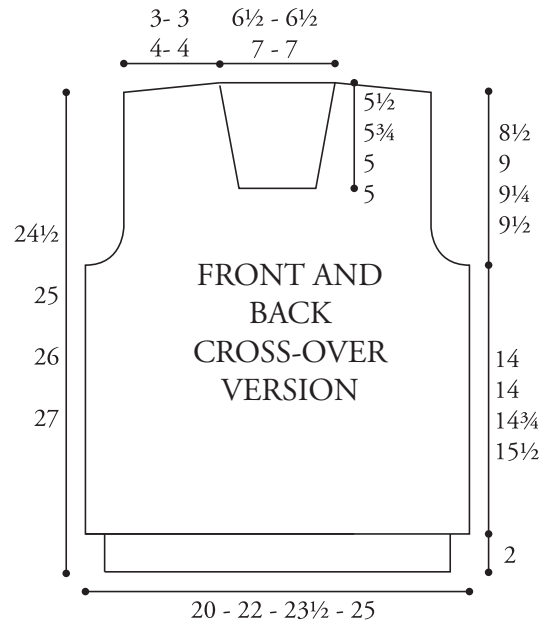
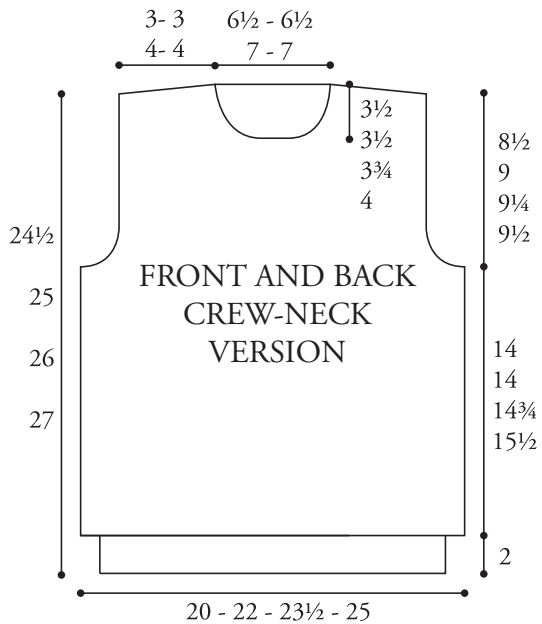
FINISHING

Pin pieces to measurements and cover with a damp cloth leaving to dry.

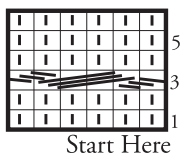
Collar: Sew shoulder seams. With RS of work facing and smaller needles, pick up and knit 35 (35-39-39) sts up right front neck edge. K44 (44-46-46) from back st holder, dec 5 sts evenly across. Pick up and knit 35 (35-39-39) sts down left front neck edge. 109 (109-119-119) sts.

Beg and ending on a 2nd row, work 5 ins [12.5 cm] in twisted ribbing as given for Back. Cast off loosely in ribbing. Lapping right over left for Her, or left over right for Him, sew sides of Collar into position at center front neck edge.

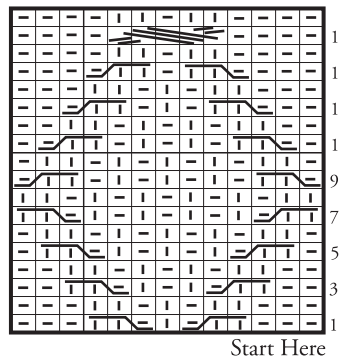
Sew side and sleeve seams. Sew in sleeves.



PANEL PAT A



PANEL PAT B



Key

= Knit on RS rows and purl on WS rows.

= Purl on RS rows and knit on WS rows.

= C4B

= C4F

= T3B

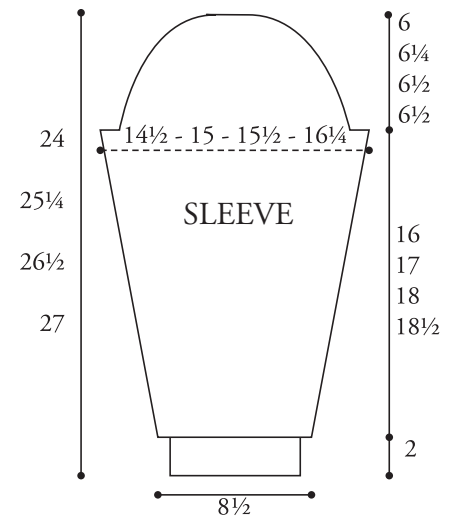
= T3F

= T4B

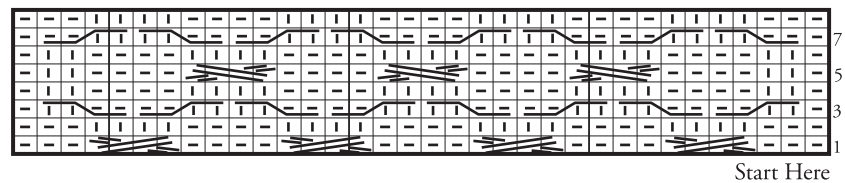
= T4F

= C6B

= C5F



PANEL PAT C



Patons

... a part of your life.

P.O. Box 40, Listowel ON N4W 3H3