



MITERED SQUARES TUNIC

SIZES

Bust measurement

Small	30-32 ins	[76-81 cm]
Medium	34-36 ins	[86-91 cm]
Large	38-40 ins	[97-102 cm]
Extra-Large	42-44 ins	[107-112cm]

Finished bust

Small	40 ins	[102 cm]
Medium	44½ ins	[113 cm]
Large	48½ ins	[123 cm]
Extra-Large	51 ins	[129.5 cm]

MATERIALS

Patons Astra (50 g/1.75 oz)

Size S M L XL

Main Color MC (Dk Pink)

11 12 13 14 balls

Contrast A (LtPink)

3 3 3 3 balls

Contrast B (White)

2 2 2 2 balls

Size 4 mm (U.S. 6) knitting needles or size needed to obtain tension. Size 3.75 mm (U.S. 5) circular knitting needle 36 ins [90 cm] long. 3 st holders.

TENSION

22 sts and 30 rows = 4 ins [10 cm] with larger needles in stocking st.

INSTRUCTIONS

The instructions are written for smallest size. If changes are necessary for larger sizes the instructions will be written thus ().

SQUARE

Note: Slip all sts knitwise with yarn in back of work.

With MC and larger needles, cast on 25 sts.

1st row: (RS). Sl1. K10. Sl1. K2tog. pssso. K10. P1.

2nd and alt rows: Sl1. Knit to last st. P1.

3rd row: Sl1. K9. Sl1. K2tog. pssso. K9. P1.

5th row: Sl1. K8. Sl1. K2tog. pssso. K8. P1.

7th row: With A, Sl1. K7. Sl1. K2tog. pssso. K7. P1.

9th row: Sl1. K6. Sl1. K2tog. pssso. K6. P1.

11th row: Sl1. K5. Sl1. K2tog. pssso. K5. P1.

13th row: Sl1. K4. Sl1. K2tog. pssso. K4. P1.

15th row: With B, Sl1. K3. Sl1. K2tog. pssso. K3. P1.

17th row: Sl1. K2. Sl1. K2tog. pssso. K2. P1.

19th row: Sl1. K1. Sl1. K2tog. pssso. K1. P1.

21st row: K1. Sl1. K2tog. pssso. P1.

23rd row: Sl1. K2tog. pssso. Fasten off. These 23 rows form square.

BACK

**Make 20 (22-24-26) squares. Sew into 2 strips, each 10 (11-12-13) squares long. Sew long edges of strips tog. Placing one strip of squares on top of the other, sew strips tog as illustrated.

With RS facing, MC and larger needles pick up and knit 110 (122-134-140) sts across long edge of top strip.

Purl 1 row.

Proceed in pat as follows:

1st row: (RS). P2. *K4. P2. Rep from * to end of row.

2nd row: Purl.

These 2 rows form pat.

Cont in pat until work from beg measures 16½ ins [42 cm] ending with RS facing for next row.

Armhole shaping: Keeping cont of pat, cast off 6 sts beg next 2 rows. 98 (110-122-128) sts.**



ABBREVIATIONS: www.patonsyarns.com/glossary

Cont even in pat until work from beg measures 25½ (26-26½-27) ins [63.5 (66-67.5-68.5) cm] ending with RS facing for next row.

Shoulder shaping: Cast off 9 (11-13-14) sts beg next 4 rows, then 9 (11-13-14) sts beg following 2 rows. Leave rem 44 sts on a st holder.

FRONT

Work from ** to ** as given for Back.

Cont even in pat until work from beg measures 20 (20½-21-21½) ins [51 (52-53.5-54.5) cm] ending with RS facing for next row.

Neck placket opening: Next row: Pat across 47 (53-59-62) sts (neck edge).

Turn. Leave rem sts on a spare needle.

Next row: Cast on 4 sts. Pat to end of row. 51 (57-63-66) sts.

Keeping 4 neck edge sts in garter st (knit every row), cont even in pat until placket opening measures 2½ ins [6 cm] ending with RS facing for next row.

Neck shaping: Next row: Pat to last 12 sts. **Turn.** Leave rem 12 sts on a st holder.

Cast off 3 sts beg next and following alt row. Work 1 row even in pat. Dec 1 st at neck edge on next 6 rows. 27 (33-39-42) sts.

Cont even in pat until work from beg measures 25½ (26-26½-27) ins [63.5 (66-67.5-68.5) cm] ending with RS facing for next row.

Shoulder shaping: Cast off 9 (11-13-14) sts beg next and following alt row. Work 1 row even. Cast off rem 9 (11-13-14) sts.

With RS facing, join MC to rem sts on spare needle.

Next row: K4. Pat to end of row.

Keeping 4 neck edge sts in garter st, cont even in pat until placket opening measures 2½ ins [6 cm] ending with WS facing for next row.

Neck shaping: Next row: Pat to last 12 sts. **Turn.** Leave rem 12 sts on a st holder.

Cast off 3 sts beg next and following alt row. Work 1 row even in pat. Dec 1 st at neck edge on next 6 rows. 27 (33-39-42) sts.

Cont even in pat until work from beg measures 25½ (26-26½-27) ins [63.5 (66-67.5-68.5) cm] ending with WS facing for next row.

Shoulder shaping: Cast off 9 (11-13-14) sts beg next and following alt row. Work 1 row even. Cast off rem 9 (11-13-14) sts.

SLEEVES

Make 4 (5-5-6) squares and sew into one strip as illustrated. With RS of work facing, MC and larger needles, pick up and knit 44 (56-56-68) sts evenly across top edge of strip. Proceed in pat as given for Back inc 1 st each end of needle on 3rd and following 2nd (4th-2nd-4th) rows to 58 (110-62-114) sts, taking inc sts into pat.

Size S, L and XL only: Cont in pat inc 1 st each end of needle on every following 4th (4th-6th) row to 104 (116-122) sts, taking inc sts into pat.

All Sizes: Cont even in pat until work from beg measures 18½ (19-19½-20) ins [47 (48-49.5-51) cm] ending with RS facing for next row. Place markers at each end of last row.

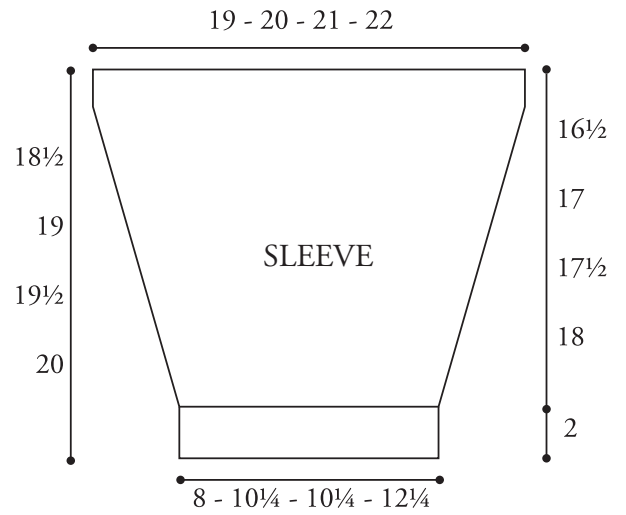
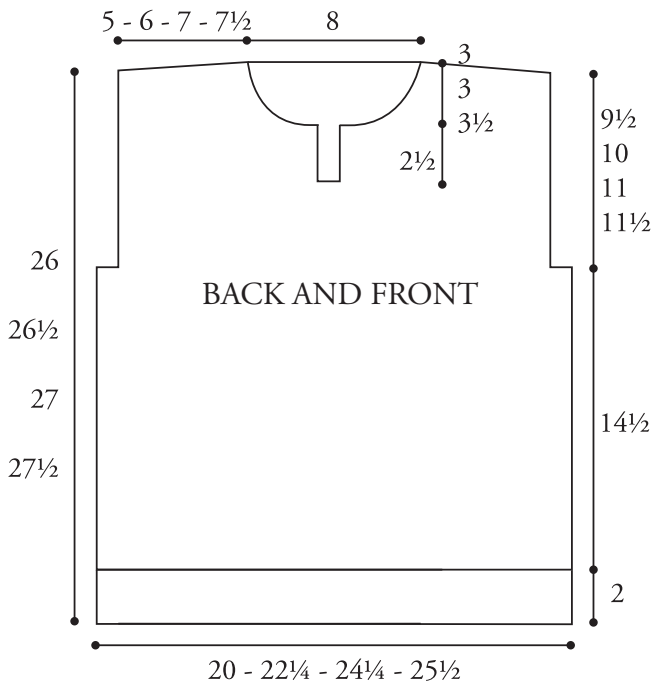
Work 8 rows in pat. Cast off.

FINISHING

Pin garment pieces to measurements. Cover with a damp cloth leaving to dry.

Neckband: Sew shoulder seams. With RS of work facing, MC and circular needle, slip 12 sts from right front st holder onto needle. Join yarn. Pick up and knit 24 sts up right front neck edge. K44 from back st holder, dec 5 sts evenly. Pick up and knit 24 sts down left front neck edge. K12 from left front st holder. 111 sts. **Do not join.** Working back and forth across needle in rows, knit 6 rows. Cast off knitwise (WS).

Sew in sleeves placing rows above markers along cast off sts at armhole of Front and Back to form square armholes. Sew side and sleeve seams. Sew front placket in position.



Patons

... a part of your life.

P.O. Box 40, Listowel ON N4W 3H3