



CABLES AND RIBS (ADULT)

SIZES

To fit bust measurement

Extra-Small	32 ins [81.5 cm]
Small	34 ins [86.5 cm]
Medium	36 ins [91.5 cm]
Large	38 ins [96.5 cm]
Extra-Large	40 ins [101.5 cm]

Finished bust

Extra-Small	40½ ins [103 cm]
Small	43 ins [109 cm]
Medium	45 ins [114.5 cm]
Large	46 ins [117 cm]
Extra-Large	48½ ins [123 cm]

MATERIALS

Patons Astra (50 g/1.75 oz)

Sizes **XS S M L XL**
13 14 15 16 17 balls

Size 4 mm (U.S. 6) knitting needles **or size needed to obtain tension.** Cable needle. St holder.

TENSION

22 sts and 30 rows = 4 ins [10 cm] in stocking st.

ABBREVIATIONS

C4F = slip next 2 sts onto a cable needle and leave at front of work. K2, then K2 from cable needle.

C4B = slip next 2 sts onto a cable needle and leave at back of work. K2, then K2 from cable needle.

INSTRUCTIONS

The instructions are written for smallest size. If changes are necessary for larger sizes the instructions will be written thus ().

Panel Pat (worked over 28 sts).

1st row: (RS). (K2. P4) twice. K6. P4. K2. P4.

2nd row: (P6. K4) twice. P8.

3rd row: K2. (P2. C4B) twice. K2. (C4F. P2) twice.

4th row: P4. K4. P10. K4. P6.

5th row: K2. (C4B. P2) twice. K2. (P2. C4F) twice.

6th row: P2. K4. P14. K4. P4.

7th row: K4. P4. (K2. P4) 3 times. K2.

8th row: As 6th row.

9th row: K2. (C4F. P2) twice. K2. (P2. C4B) twice.

10th row: As 4th row.

11th row: K2. (P2. C4F) twice. K2. (C4B. P2) twice.

12th row: As 2nd row.

These 12 rows form Panel Pat.

BACK

**Cast on 118 (126-134-138-146) sts.

1st row: (RS). K2. *P2. K2. Rep from * to end of row.

2nd row: P2. *K2. P2. Rep from * to end of row.

Rep these 2 rows [K2. P2] ribbing until work from beg measures 3 ins [7.5 cm], ending with RS facing for next row and inc 24 sts evenly across last row. 142 (150-158-162-170) sts.

Proceed as follows:

1st row: (RS). K0 (4-4-6-0). P0 (0-4-4-0). (Work 1st row of Panel Pat) 5 (5-5-5-6) times. K2 (6-2-2-2). P0 (0-4-4-0). K0 (0-4-6-0).

2nd row: P2 (6-10-12-2). (Work 2nd row of Panel Pat) 5 (5-5-5-6) times. P0 (4-8-10-0).

3rd row: K0 (4-2-4-0). (C4F) 0 (0-1-1-0) time. P0 (0-2-2-0). (Work 3rd row of Panel Pat) 5 (5-5-5-6) times. K2 (6-2-2-2). P0 (0-2-2-0). (C4B) 0 (0-1-1-0) time. K0 (0-2-4-0).



ABBREVIATIONS: www.patonsyarns.com/glossary

4th row: P0 (0-2-4-0). K0 (0-2-2-0). P2 (6-6-6-2). (Work 4th row of Panel Pat) 5 (5-5-5-6) times. P0 (4-4-4-0). K0 (0-2-2-0). P0 (0-2-4-0).

5th row: K0 (4-2-4-0). P0 (0-2-2-0). (C4F) 0 (0-1-1-0) time. (Work 5th row of Panel Pat) 5 (5-5-5-6) times. K2 (6-2-2-2). (C4B) 0 (0-1-1-0) time. P0 (0-2-2-0). K0 (0-2-4-0).

6th row: P0 (0-2-4-0). K0 (0-4-4-0). P2 (6-4-4-2). (Work 6th row of Panel Pat) 5 (5-5-5-6) times. P0 (4-2-2-0). K0 (0-4-4-0). P0 (0-2-4-0).

7th row: K0 (0-2-4-0). P0 (0-4-4-0). K0 (4-2-2-0). (Work 7th row of Panel Pat) 5 (5-5-5-6) times. K2 (6-4-4-2). P0 (0-4-4-0). K0 (0-2-4-0).

8th row: As 6th row.

9th row: K0 (4-2-4-0). P0 (0-2-2-0). (C4B) 0 (0-1-1-0) time. (Work 9th row of Panel Pat) 5 (5-5-5-6) times. K2 (6-2-2-2). (C4F) 0 (0-1-1-0) time. P0 (0-2-2-0). K0 (0-2-4-0).

10th row: As 4th row.

11th row: K0 (4-2-4-0). (C4B) 0 (0-1-1-0) time. P0 (0-2-2-0). (Work 11th row of Panel Pat) 5 (5-5-5-6) times. K2 (6-2-2-2). P0 (0-2-2-0). (C4F) 0 (0-1-1-0) time. K0 (0-2-4-0).

12th row: As 2nd row.

These 12 rows form Side Sts and Panel Pat.

Cont in pat until work from beg measures 14 ins [35.5 cm], ending with RS facing for next row.

Armhole shaping: 1st row: Cast off 6 (10-8-10-6) sts. K2 (including st on needle after cast-off). Pat to end of row.

2nd row: Cast off 6 (10-8-10-6) sts. P2 (including st on needle after cast-off). Pat to end of row. 130 (130-142-142-158) sts.**

Working first 2 sts and last 2 sts in stocking st, cont even in pat until armhole measures 7 (7½-8-8½-9) ins [18 (19-20.5-21.5-23) cm], ending with RS facing for next row.

Shoulder shaping: Keeping cont of pat, cast off 35 (35-39-39-46) sts beg next 2 rows. Leave rem 60 (60-64-64-66) sts on a st holder.

FRONT

Work from ** to ** as given for Back.

Working first 2 sts and last 2 sts in stocking st, cont even in pat until armhole measures 4 (4½-5-5½-6) ins [10 (11.5-12.5-14-15) cm], ending with RS facing for next row.

Neck shaping: Pat across 55 (55-60-60-67) sts (neck edge). **Turn.** Leave rem sts on a spare needle. Keeping cont of pat, cast off 4 sts beg next and following alt row. Dec 1 st at neck edge on next 12 (12-13-13-13) rows. 35 (35-39-39-46) sts.

Cont even in pat until armhole measures same length as Back to shoulder, ending with RS facing for next row. Cast off.

With RS of work facing, slip next 20 (20-22-22-24) sts onto a st holder. Join yarn to rem sts and pat to end of row.

Work 1 row even.

Keeping cont of pat, cast off 4 sts beg next and following alt row. Dec 1 st at neck edge on next 12 (12-13-13-13) rows. 35 (35-39-39-46) sts.

Cont even in pat until armhole measures same length as Back to shoulder, ending with RS facing for next row. Cast off.

SLEEVES

Cast on 50 (54-54-58-62) sts. Work 3 ins [7.5 cm] in [K2. P2] ribbing as given for Back. Cont in ribbing, inc 1 st each end of needle on next and every following 4th row until there are 98 (106-114-118-126) sts, taking inc sts into ribbing.

Cont even in ribbing until work from beg measures 21 (22-23-24-24) ins [53.5 (56-58.5-61-61) cm], ending with RS facing for next row. Cast off in ribbing.

FINISHING

Pin garment pieces to measurements. Cover with a damp cloth leaving to dry.

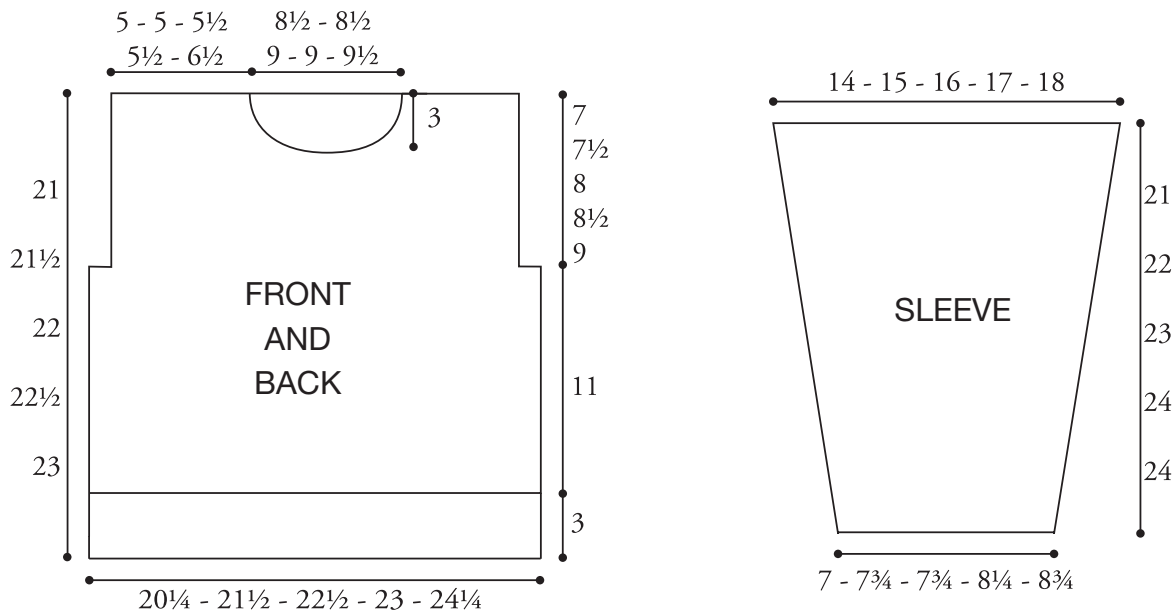
Collar: Sew right shoulder seam. With RS of work facing, pick up and knit 30 (30-31-31-31) sts down Left Front neck edge. K20 (20-22-22-24) from front st holder dec 3 sts evenly across. Pick up

and knit 30 (30-31-31-31) sts up Right Front neck edge. K60 (60-64-64-66) from back st holder dec 9 sts evenly across. 128 (128-136-136-140) sts.

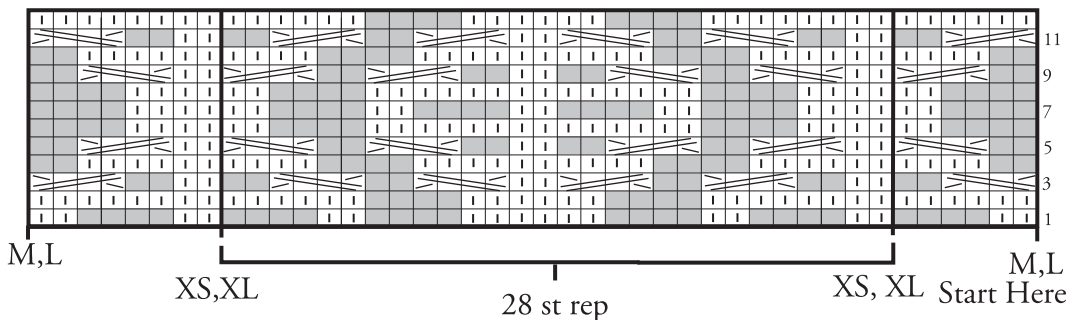
1st row: (WS). *K2. P2. Rep from * to end of row.

Rep last row until work from beg measures 9 ins [23 cm], ending with RS facing for next row. Cast off in ribbing.

Sew left shoulder seam and collar seam, reversing seam on collar for fold-back. Place markers 1 (1½-1-1½-1) ins [2.5 (4-2.5-4-2.5) cm] down from cast-off edge at each side of sleeve. Sew in sleeves, placing rows above markers between cast-off sts at Front and Back armholes to form square armholes. Sew side and sleeve seams.



PANEL PAT



Key

- = Knit on RS, purl on WS
- = Purl on RS, knit on WS
- = C4B
- = C4F

Patons

... a part of your life.

P.O. Box 40, Listowel ON N4W 3H3