



PRETTY LACE CARDIGAN (CHILD)

SIZES

To fit chest measurement

4	24 ins	[61 cm]
6	26 ins	[66 cm]
8	28 ins	[71 cm]

Finished chest

4	28 ins	[71 cm]
6	31 ins	[78.5 cm]
8	33½ ins	[85 cm]

TENSION

21 sts and 34 rows = 4 ins [10 cm]
with larger needles in lace pat.

MATERIALS

Patons Astra (50 g/1.75 oz)

Sizes	4	6	8	
	5	5	6	balls

Sizes 3.75 (U.S. 5) and 4 mm (U.S. 6) knitting needles. Size 3.75 (U.S. 5) circular knitting needle **or size needed to obtain tension.** St holder. 5 buttons.

INSTRUCTIONS

The instructions are written for smallest size. If changes are necessary for larger sizes the instructions will be written thus ().

BACK

With smaller needles, cast on 71 (78-85) sts.

1st row: (RS). P1. *P1. K2. yfwd. Sl1. K1. pssso. P2. Rep from * to end of row.

2nd row: *K2. P4. K1. Rep from * to last st. K1.

3rd row: P1. *P1. K2tog. yfwd. K2. P2. Rep from * to end of row.

4th row: As 2nd row.

These 4 rows form Eyelet Rib pat. Work a further 2 (4-6) rows in Eyelet Rib pat, inc 3 sts evenly across last row. 74 (81-88) sts.

Change to larger needles and proceed in Lace Pat as follows:

1st row: (RS). K3. *Sl1. K1. pssso. K5. yfwd. Rep from * to last st. K1.

2nd and alt rows: Purl.

3rd row: K3. *Sl1. K1. pssso. K4. yfwd. K1. Rep from * to last st. K1.

5th row: K3. *Sl1. K1. pssso. K3. yfwd. K2. Rep from * to last st. K1.

7th row: K3. *Sl1. K1. pssso. K2. yfwd. K3. Rep from * to last st. K1.

9th row: K3. *Sl1. K1. pssso. K1. yfwd. K4. Rep from * to last st. K1.

11th row: K3. *Sl1. K1. pssso. yfwd. K5. Rep from * to last st. K1.

13th row: K1. *yfwd. K5. K2tog. Rep from * to last 3 sts. K3.

15th row: K2. *yfwd. K4. K2tog. K1. Rep from * to last 2 sts. K2.

17th row: K3. *yfwd. K3. K2tog. K2. Rep from * to last st. K1.

19th row: K4. *yfwd. K2. K2tog. K3. Rep from * to end of row.

21st row: K5. *yfwd. K1. K2tog. K4. Rep from * to last 6 sts. yfwd. K1. K2tog. K3.

23rd row: K6. *yfwd. K2tog. K5. Rep from * to last 5 sts. yfwd. K2tog. K3.

24th row: Purl.

These 24 rows form Lace Pat.



ABBREVIATIONS: www.patonsyarns.com/glossary

Cont in Lace Pat until work from beg measures approx 8¼ (8½-9) ins [21 (21.5-23) cm], ending on a 16th row of Lace Pat.

Armhole shaping: 1st row: (RS).

Cast off 3 sts (1 st rem on needle after cast off). yfwd. K2. K2tog. K2. *yfwd. K3. K2tog. K2. Rep from * to last st. K1.

2nd row: Cast off 3 sts. Purl to end of row.

3rd row: Sl1. K1. pssso. yfwd. K1. K2tog. K3. *yfwd. K2. K2tog. K3. Rep from * to last 4 sts. yfwd. K2. K2tog.

4th row: P2tog. Purl to end of row.

5th row: Sl1. K1. pssso. K5. *yfwd. K1. K2tog. K4. Rep from * to last 3 sts. K1. K2tog.

6th row: Purl.

7th row: Sl1. K1. pssso. K4. *yfwd. K2tog. K5. Rep from * to last 2 sts. K2tog.

8th row: P2tog. Purl to last 2 sts. P2togtbl. 60 (67-74) sts.

Beg with 1st row of Lace Pat, cont even in pat until armhole measures approx 5 (5½-6) ins [12.5 (14-15) cm], ending on a 10th (16th-22nd) row of Lace Pat.

Shoulder shaping: Cast off 8 (9-10) sts beg next 2 rows, then cast off 9 (10-11) sts beg following 2 rows. Leave rem 26 (29-32) sts on a st holder.

LEFT FRONT

**With smaller needles, cast on 36 (36-43) sts.

Work 6 (8-10) rows in Eyelet Rib Pat as given for Back inc 3 sts evenly across last row. 39 (39-46) sts.

Change to larger needles and proceed in Lace Pat as given for Back until work from beg measures approx 8¼ (8½-9) ins [21 (21.5-23) cm], ending on a 16th row of Lace Pat.**

Armhole and V-neck shaping:

1st row: (RS). Cast off 3 sts. yfwd. K2. K2tog. K2. *yfwd. K3. K2tog. K2. Rep from * to last 8 sts. yfwd. K3. K2tog. K1. K2tog.

2nd row: Purl.

3rd row: Sl1. K1. pssso. yfwd. K1. K2tog. K3. *yfwd. K2. K2tog. K3. Rep from * to last 6 sts. yfwd. K2. (K2tog) twice.

4th row: Purl.

5th row: Sl1. K1. pssso. K6. *yfwd. K1. K2tog. K4. Rep from * to last 4 sts. K2. K2tog.

6th row: Purl.

7th row: Sl1. K1. pssso. K6. *yfwd. K2tog. K5. Rep from * to last 2 sts. K2tog.

8th row: Purl to last 2 sts. P2togtbl. 28 (28-35) sts.

Dec 1 st at V-neck edge only on next and every alt row 4 times, then every 4th row from previous dec 6 (4-9) times. 17 (19-21) sts. Cont even in pat until armhole measures same length as Back to beg of shoulder shaping, ending on a 10th (16th-22nd) row of Lace Pat.

Shoulder shaping: Cast off 8 (9-10) sts beg next row. Purl 1 row. Cast off rem 9 (10-11) sts.

RIGHT FRONT

Work from ** to ** as given for Left Front.

Armhole and V-neck shaping:

1st row: (RS). Sl1. K1. pssso. K1. *yfwd. K3. K2tog. K2. Rep from * to last st. K1.

2nd row: Cast off 3 sts. Purl to end of row.

3rd row: Sl1. K1. pssso. K1. *yfwd. K2. K2tog. K3. Rep from * to last 4 sts. yfwd. (K2tog) twice.

4th row: Purl.

5th row: Sl1. K1. pssso. K1. *yfwd. K1. K2tog. K4. Rep from * to last 3 sts. K1. K2tog.

6th row: Purl.

7th row: Sl1. K1. pssso. K1. *yfwd. K2tog. K5. Rep from * to last 2 sts. K2tog.

8th row: P2tog. Purl to end of row. 28 (28-35) sts.

Proceed as follows to cont shaping V-neck only:

1st row: (RS). Sl1. K1. pssso. K4. *Sl1. K1. pssso. K5. yfwd. Rep from * to last st. K1.

2nd and alt rows: Purl.

3rd row: Sl1. K1. pssso. K3. *Sl1. K1. pssso. K4. yfwd. K1. Rep from * to last st. K1.

5th row: Sl1. K1. pssso. K2. *Sl1. K1. pssso. K3. yfwd. K2. Rep from * last st. K1.

7th row: Sl1. K1. pssso. K1. *Sl1. K1. pssso. K2. yfwd. K3. Rep from * to last st. K1.

9th row: Sl1. K1. pssso. *Sl1. K1. pssso. K1. yfwd. K4. Rep from * to last st. K1.

Dec 1 st at V-neck edge only, as established above, on every 4th row from previous dec 6 (4-9) times more. 17 (19-21) sts.

Cont even in pat until armhole measures same length as Back to beg of shoulder shaping ending on an 11th (17th-23rd) row of Lace Pat.

Shoulder shaping: Cast off 8 (9-10) sts beg next row. Work 1 row even. Cast off rem 9 (10-11) sts.

SLEEVES

With smaller needles, cast on 43 sts.

Work 6 (8-10) rows in Eyelet Rib Pat as given for Back, inc 3 sts evenly across last row. 46 sts.

Change to larger needles and proceed in Lace Pat as given for Back inc 1 st at each end of needle on next and every following 4th row to 58 (64-68) sts, taking inc sts into stocking st.

Cont even in pat until work from beg measures 6½ ins [16.5 cm], ending with RS facing for next row.

Top shaping: Cast off 2 st beg next 2 rows. Dec 1 st each end of needle on next and every following alt row 7 times. Cast off 3 sts beg next 4 rows. Cast off rem 26 (32-36) sts.

FINISHING

Pin garment pieces to measurements. Cover with a damp cloth leaving to dry.

Buttonhole and button band:

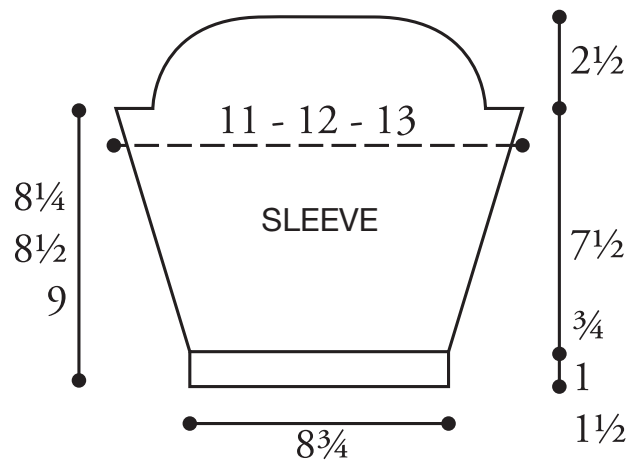
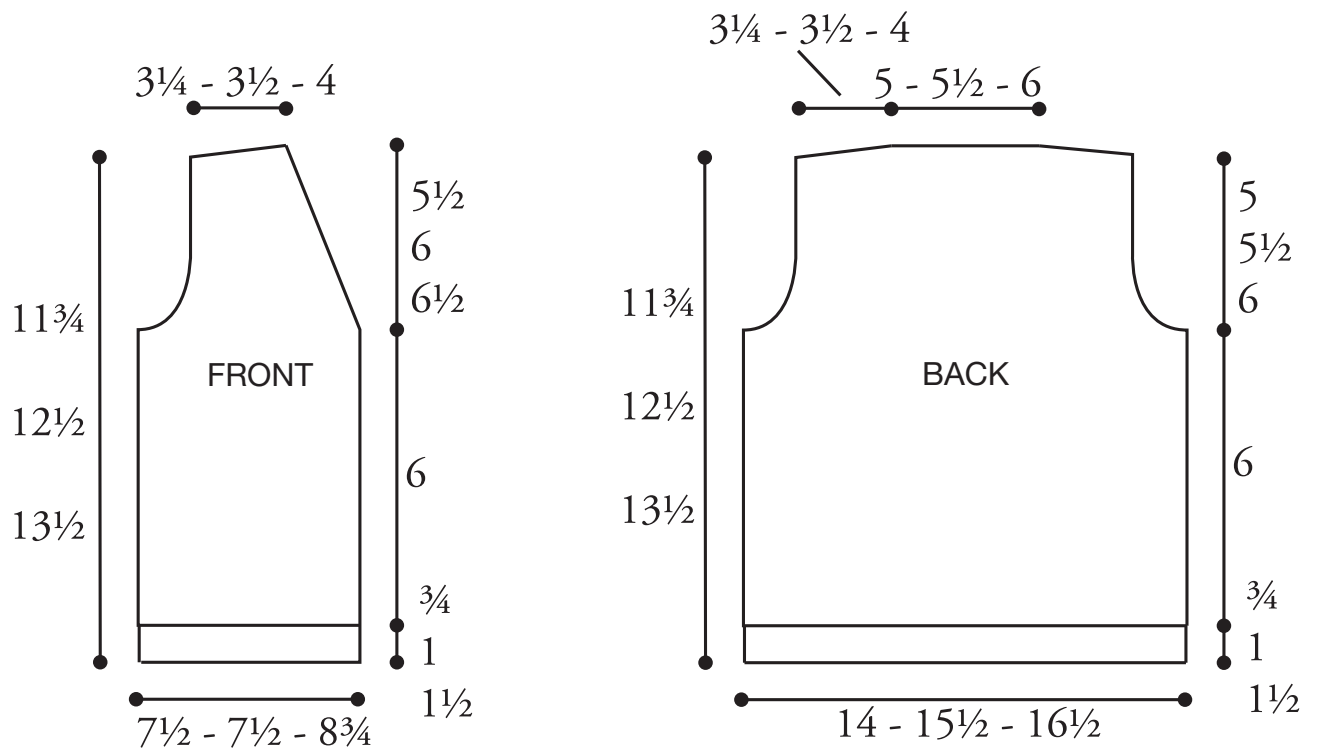
Sew shoulder seams. With RS of work facing and circular needle, pick up and knit 35 (37-39) sts up Right Front edge to V-neck shaping. Pick up and knit 32 (34-38) sts up Right Front V-neck edge to shoulder seam. K26 (29-32) from back st holder, dec 2 sts evenly across. Pick up and knit 32 (34-38) sts down Left Front V-neck edge. Pick up and knit 35 (37-39) sts down Left Front edge to lower edge. 158 (171-184) sts.

Next row: Knit.

Next row: K3. *Cast off 1 st. K6 (7-8) (including st on needle after cast off). Rep from * 3 times more. Cast off 1 st. Knit to end of row.

Next row: Knit, casting on 2 sts over each cast off st to make a loop. Cast off purlwise (RS).

Sew in Sleeves. Sew side and sleeve seams. Sew buttons to correspond to button loops.



Patons

... a part of your life.

P.O. Box 40, Listowel ON N4W 3H3