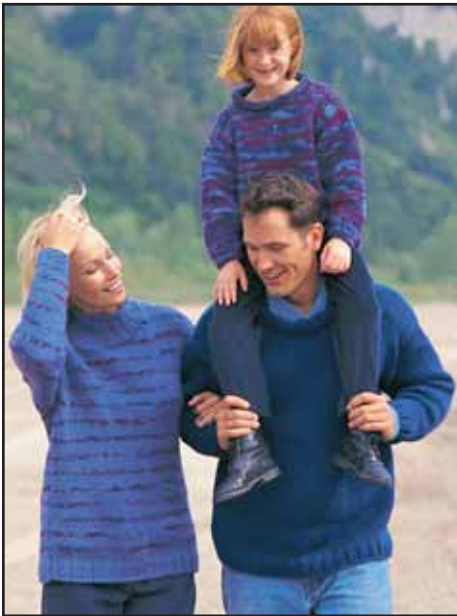


Patons® Classic Wool

Patons DECOR



BIG-STITCH PULLOVER (Adult)

SIZES

Bust/chest measurement

Small 30-32 ins [76-81 cm]

Medium 34-36 ins [86-91 cm]

Large 38-40 ins [97-102 cm]

Extra-Large

42-44 ins [106.5-112cm]

Finished bust/chest

Small 39 ins [99 cm]

Medium 43½ ins [110.5 cm]

Large 48 ins [122 cm]

Extra-Large

52 ins [132 cm]

MATERIALS

Patons Classic Wool (100 g/3.5 oz)
or **Patons Décor** (100 g/3.5 oz)

HER VERSION

Size S M L XL

Main color (MC) (Purple)

6 7 8 9 **balls**

Contrast A (Varigated)

1 2 2 2 **ball(s)**

HIS VERSION

Size S M L XL

7 8 8 9 **balls**

Size 8 mm (U.S. 11) knitting
needles **or size needed to obtain
tension.** 2 st holders.

TENSION

11 sts and 16 rows = 4 ins [10 cm]
with 2 strands of yarn in stocking st.

INSTRUCTIONS

*The instructions are written for
smallest size. If changes are
necessary for larger sizes the
instructions will be written thus ().*

BACK

**With 2 strands of MC, cast on 53
(59-65-71) sts.

1st row: (RS). K2. *P1. K2. Rep
from * to end of row.

2nd row: P2. *K1. P2. Rep from *
to end of row.

Rep these 2 rows (K2. P1) ribbing
for 2 ins [5 cm] ending on a 2nd
row and inc 1 st at center of last
row. 54 (60-66-72) sts.

His Version only: Proceed in
stocking st until work from beg
measures 16 (16½-16¾-17) ins
[40.5 (42-42.5-43) cm] ending with
RS facing for next row

Her Version only: Next row:
Work 4 rows stocking st.

Next 2 rows: With one strand of
MC and one strand of A, work
2 rows stocking st.

Last 6 rows form pat.

Cont in pat until work from beg
measures 16 (16½-16¾-17) ins
[40.5 (42-42.5-43) cm] ending with
RS facing for next row.

**Both Versions: Armhole
shaping:** Cast off 2 sts beg next
2 rows.**

Cont in stocking st until work from
beg measures 25 (26-27-28) ins
[63.5 (66-68.5-71) cm] ending with
RS facing for next row.

Shoulder shaping: Cast off 5 (6-
6-7) sts beg next 2 rows then 5
(6-7-8) sts beg next 4 rows. Leave
rem 20 (20-22-22) sts on a st
holder.



ABBREVIATIONS: www.patonsyarns.com/glossary

FRONT

Work from ** to ** as given for Back.

Cont in pat for Her Version and in stocking st for His Version until work from beg measures 22 (**23-23½-24½**) ins [56 (**58.5-59.5-62**) cm] ending with RS facing for next row.

Neck shaping: Next row: K22 (**25-28-31**) (neck edge). **Turn.**

Leave rem sts on a spare needle. Dec 1 st at neck edge on next 7 (**7-8-8**) rows. 15 (**18-20-23**) sts.

Cont even until work from beg measures 25 (**26-27-28**) ins [63.5 (**66-68.5-71**) cm] ending with RS facing for next row.

Shoulder shaping: Cast off 5 (**6-6-7**) sts beg next row. Work 1 row even. Cast off 5 (**6-7-8**) sts on next and following alt row.

With RS of work facing, slip next 6 sts from spare needle onto a st holder. Join 2 strands of yarn to rem sts and knit to end of row.

Dec 1 st at neck edge on next 7 (**7-8-8**) rows. 13 (**18-20-23**) sts.

Cont even until work from beg measures 25 (**26-27-28**) ins [63.5 (**66-68.5-71**) cm] ending with **WS** facing for next row.

Shoulder shaping: Cast off 5 (**6-6-7**) sts beg next row. Work 1 row even. Cast off rem 5 (**6-7-8**) sts.

SLEEVES

With 2 strands of MC, cast on 20 (**20-26-26**) sts.

Work in (K2. P1) ribbing as given for Back and inc 2 (**2-0-0**) sts evenly across last row. 22 (**22-26-26**) sts.

Cont working in pat for Her Version and in stocking st for His Version, inc 1 st each end of needle on 3rd and every 4th row to 46 (**48-48-58**) sts, then every following 6th row to 50 (**52-56-60**) sts.

Cont even until work from beg measures 17½ (**18-19-19½**) ins [44.5 (**45.5-48-49.5**) cm] ending with RS facing for next row. Cast off.

FINISHING

Pin garment pieces to measurements. Cover with a damp cloth leaving to dry.

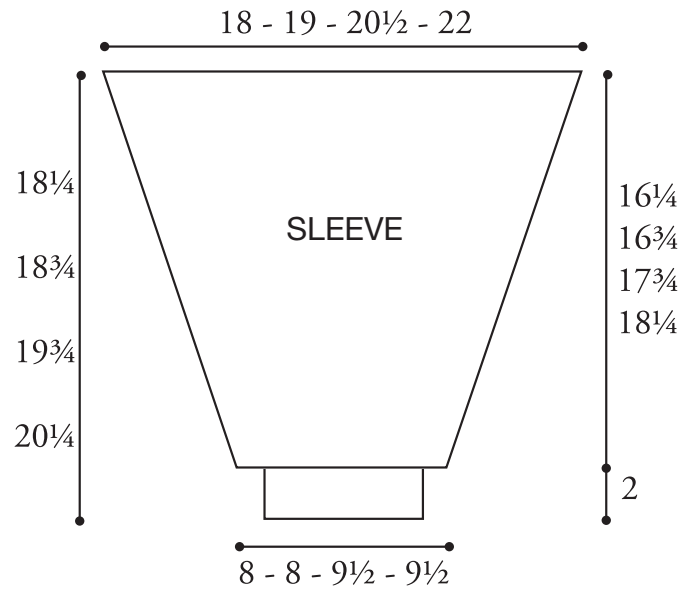
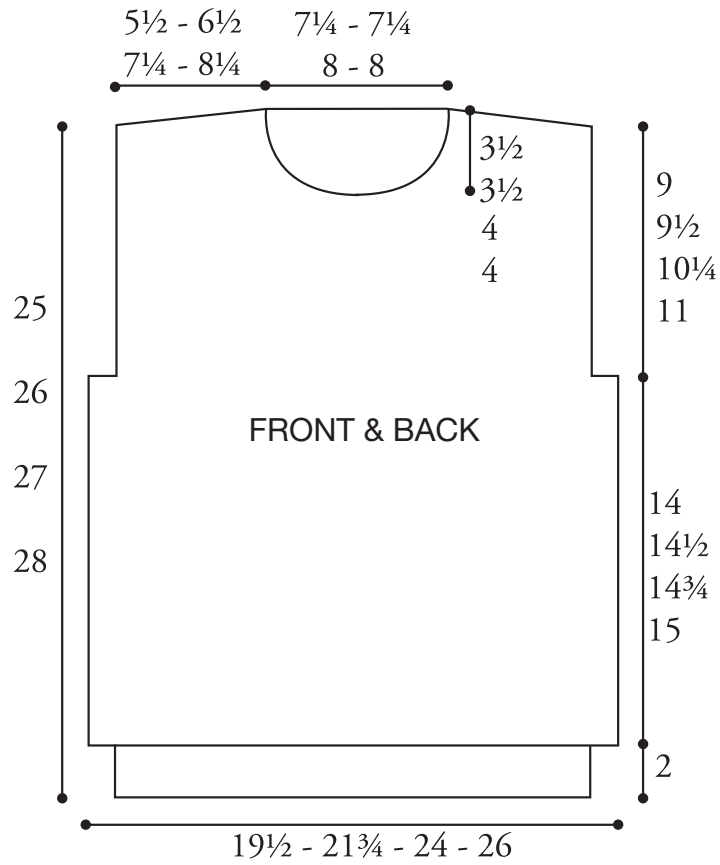
Neckband: Sew right shoulder seam. With RS of work facing and 2 strands of MC, pick up and knit 12 (**12-15-15**) sts down left front neck edge. Knit across 6 sts from front neck st holder. Pick up and knit 12 (**12-15-15**) sts up right front neck edge. Knit across 20 (**20-22-22**) sts from back neck st holder, dec 0 (**0-2-2**) sts evenly across. 50 (**50-56-56**) sts.

Her Version only: Next row: Beg with a 2nd row, work in (K2. P1) ribbing for 4 ins [10 cm], as given for Back, ending with RS facing for next row. Cast off.

Sew left shoulder seam. Sew neck seam. Sew in sleeves. Sew side and sleeve seams.

His Version only: Next row: Beg with a 2nd row, work in (K2. P1) ribbing for 3 ins [8 cm], as given for Back, ending with RS facing for next row. Cast off **loosely**.

Sew left shoulder seam and neckband seam. Fold neckband in half to WS and sew loosely in position. Sew in sleeves. Sew side and sleeve seams.



Patons

... a part of your life.

P.O. Box 40, Listowel ON N4W 3H3