

**Patons**  
Classic Wool

Patons  
DECOR



## WOMEN'S WRAPOVER

### SIZES

#### Bust measurement

Small	36	ins	[91.5	cm]
Medium	38	ins	[96.5	cm]

#### Finished bust

Small	37	ins	[94	cm]
-------	----	-----	-----	-----

Medium 39½ ins [100.5 cm]

### MATERIALS

Patons Classic Wool (100 g/3.5 oz)  
or Patons Décor (100 g/3.5 oz)

Size	S	M	
	6	7	balls

Sizes 3.75 mm (U.S. 5) and 4.5 mm (U.S. 7) knitting needles **or size needed to obtain tension.**

### TENSION

20 sts and 26 rows = 4 ins [10 cm] with larger needles in stocking st.

### INSTRUCTIONS

*The instructions are written for smallest size. If changes are necessary for larger sizes the instructions will be written thus ( ).*

#### BACK

With smaller needles, cast on 91 (97) sts.

**1st row:** (RS). K1. \*P1. K1. Rep from \* to end of row.

This row forms seed st pat.

Rep last row 9 times more, inc 2 sts evenly across last row and ending with RS facing for next row. 93 (99) sts.

Change to larger needles and

proceed as follows:

**1st row:** (K1. P1) 3 times. Knit to last 6 sts. (P1. K1) 3 times.

**2nd row:** (K1. P1) 3 times. Purl to last 6 sts. (P1. K1) 3 times.

Rep last 2 rows until work from beg measures approx 5 ins [12.5 cm] ending with RS facing for next row.

**Next row:** Cast on 1 st. Knit to end of row.

**Next row:** Cast on 1 st. Purl to end of row. 95 (101) sts.

Proceed as follows:

**1st row:** K1. Sl1. K1. pssso. Knit to last 3 sts. K2tog. K1. 93 (99) sts.

**2nd row:** Purl.

Work in stocking st, dec 1 st each end of needle as before every 4th row from previous dec 7 (8) times more. 79 (83) sts.

Cont even until work from beg measures 11 (12) ins [29 (32) cm] ending with RS facing for next row.

Cont in stocking st, inc 1 st each end on next and every 6th row 7 (8) times more. 95 (101) sts.

Cont even until work from beg measures 19½ (21) ins [49.5 (53.5) cm].

**Armhole shaping:** Cast off 4 sts beg next 2 rows.

Dec 1 st each end of needle on next 5 rows, then on every alt row to 71 (79) sts.\*\*

Cont even until work from beg



ABBREVIATIONS: [www.patonsyarns.com/glossary](http://www.patonsyarns.com/glossary)

measures 27 **(29)** ins [68.5 **(73.5)** cm] ending with RS facing for next row.

**Shoulder shaping:** Cast off 10 **(11)** sts beg next 4 rows. Cast off rem 31 **(35)** sts.

### LEFT FRONT

\*\*With smaller needles, cast on 83 **(89)** sts.

**1st row:** (RS). K1. \*P1. K1. Rep from \* to end of row.

This row forms seed st pat.

Rep last row 9 times more, inc 2 sts evenly across last row and ending with RS facing for next row. 85 **(91)** sts.

Change to larger needles and proceed as follows:

**1st row:** (K1. P1) 3 times. Knit to last 6 sts. (P1. K1) 3 times.

**2nd row:** (K1. P1) 3 times. Purl to last 6 sts. (P1. K1) 3 times.\*\*

Rep last 2 rows until work from beg measures approx 5 ins [12.5 cm] ending with RS facing for next row.

**Next row:** Cast on 1 st. Knit to last 6 sts. (P1. K1) 3 times. 86 **(92)** sts.

**Next row:** (K1. P1) 3 times. Purl to end of row.

Proceed as follows:

**1st row:** K1. Sl1. K1. pss0 (side edge). Knit to last 6 sts. (P1. K1) 3

times. 85 **(91)** sts.

**2nd row:** (K1. P1) 3 times. Purl to end of row.

Work in stocking st keeping 6 sts in seed st for front band, dec 1 st at side edge only as before every 4th row from previous dec 7 **(8)** times more. 78 **(83)** sts.

Cont even until work from beg measures 11 **(12)** ins [29 **(32)** cm] ending with RS facing for next row.

Cont working in stocking st keeping 6 sts in seed st for front band, proceed as follows:

**1st row:** Inc 1 st in next st. Knit to last 8 sts. K2tog. (P1. K1) 3 times.

**2nd and alt rows:** (K1. P1) 3 times. Purl to end of row.

**3rd row:** Knit to last 8 sts. K2tog. (P1. K1) 3 times.

**5th row:** As 3rd row.

**6th row:** As 2nd row.

Rep last 6 rows 6 **(7)** times more. 64 **(67)**.

Cont in stocking st keeping 6 sts in seed st for front band and dec 1 st at front band as before every alt row until work from beg measures 19½ **(21)** ins [49.5 **(53.5)** cm] ending with RS facing for next row.

**Armhole shaping: Next row:** Cast off 4 sts (armhole edge). Knit to last 8 sts. K2tog. (P1. K1) 3 times.

Dec 1 st at armhole on next 5 rows, then on every alt row 6 **(4)** times, **at same time** dec 1 st at front band as before every alt row until there are 33 **(40)** sts.

**Next row:** Knit to last 8 sts. K2tog. (P1. K1) 3 times.

**Next row:** (K1. P1) 3 times. P2togtbl. Purl to end of row.

Rep last 2 rows to 26 **(28)** sts.

Cont even in pat until work from beg measures 27 **(29)** ins [68.5 **(73.5)** cm] ending with RS facing for next row.

**Shoulder shaping:** Cast off 10 **(11)** sts beg next and alt row. 6 sts. Work 3½ ins [9 cm] in seed st across rem 6 sts, ending with RS facing for next row. Cast off.

### RIGHT FRONT

Rep from \*\* to \*\* as given for Left Front.

Rep last 2 rows until work from beg measures approx 5 ins [12.5 cm] ending with **WS** facing for next row.

**Next row:** Cast on 1 st. Purl to last 6 sts. (P1. K1) 3 times.

**Next row:** (K1. P1) 3 times. Knit to end of row.

**Next row:** Purl to last 6 sts. (P1. K1) 3 times.

Proceed as follows:

**1st row:** (K1. P1) 3 times. Knit to last 3 sts. K2tog. K1. 85 **(91)** sts.

**2nd row:** Purl to last 6 sts. (P1. K1) 3 times.

Work in stocking st keeping 6 sts in seed st for front band, dec 1 st at side edge only as before every 4th row from previous dec 7 (8) times more. 78 (83) sts.

Cont even until work from beg measures 11 (12) ins [29 (32) cm] ending with RS facing for next row. Cont in stocking st keeping 6 sts in seed st for front band, proceed as follows:

**1st row:** (K1. P1) 3 times. Sl1. K1. pssso. Knit to last 2 sts. Inc 1 st in next st. K1.

**2nd and alt rows:** Purl to last sts. (P1. K1) 3 times.

**3rd row:** (K1. P1) 3 times. Sl1. K1. pssso. Knit to end of row.

**5th row:** As 3rd row.

**6th row:** As 2nd row.

Rep last 6 rows 6 (7) times more. 64 (67).

Cont in stocking st keeping 6 sts in seed st for front band and dec 1 st at front band as before every alt row until work from beg measures 19½ (21) ins [49.5 (53.5) cm] ending with WS facing for next row.

**Armhole shaping: Next row:** Cast off 4 sts (armhole edge). Purl to last 6 sts. (P1. K1) 3 times.

Dec 1 st at armhole on next 5 rows, then on every alt row 6 (4) times, **at same time** dec 1 st at

front band as before every alt row until there are 33 (40) sts.

**Next row:** (K1. P1) 3 times. Sl1. K1. pssso. Knit to end of row.

**Next row:** Purl to last 8 sts. P2togtbl. (P1. K1) 3 times.

Rep last 2 rows to 26 (28) sts.

Cont even until work from beg measures 26 (27.5) ins [66 (70) cm] ending with **WS** facing for next row.

**Shoulder shaping:** Cast off 10 (11) sts beg next and alt row. 6 sts. Work 3½ ins [9 cm] in seed st across rem 6 sts, ending with RS facing for next row. Cast off.

## SLEEVES

With smaller needles, cast on 45 sts. Work 10 rows in seed st pat as given for Back, ending with RS facing for next row and inc 4 sts evenly across last row. 49 sts.

Change to larger needles and work in stocking inc 1 st each end of needle on 5th and following 10th rows until there are 63 (67) sts.

Cont even until Sleeve from beg measures 17 (18) ins [43 (45.5) cm] ending with RS facing for next row.

**Shape top:** Cast off 4 sts beg next 2 rows.

Dec 1 st each end of needle on

next and following alt rows 3 times, then on every row until there are 9 (11) sts. Cast off.

## FINISHING

Pin garment pieces to measurements. Cover with a damp cloth leaving to dry.

Sew shoulders. Sew in sleeves. Sew side and sleeve seams. Sew cast off sts of neckband tog and placing this seam at center back neck, sew in position to back neck edge.

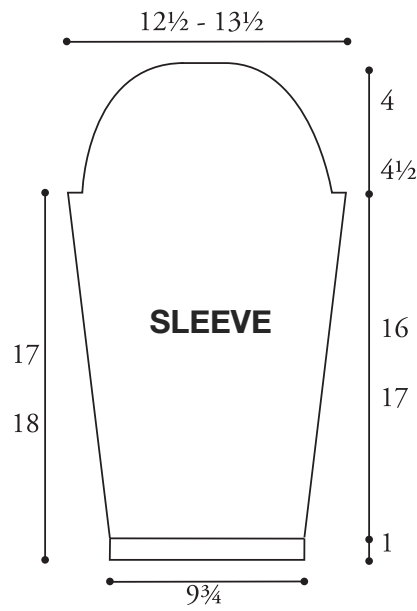
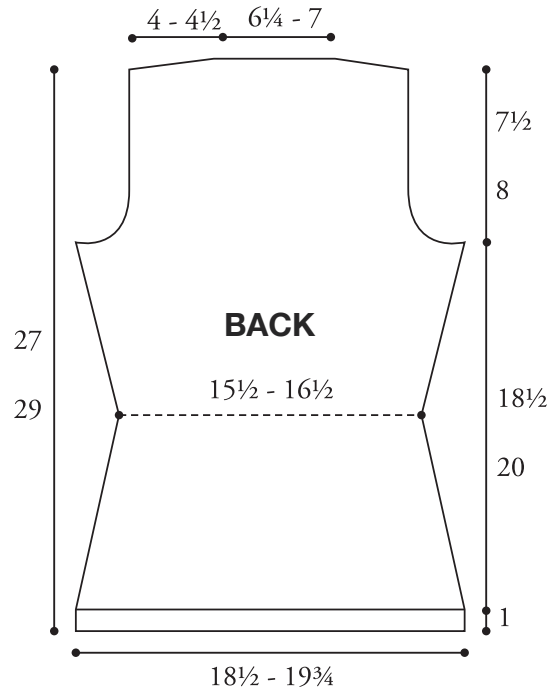
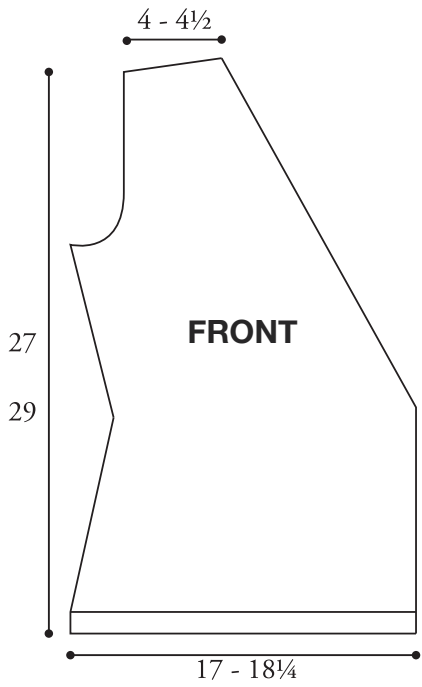
**Belt:** With smaller needles, cast on 7 sts.

**1st row:** (RS). K1. (P1. K1) 3 times.

This row forms seed st pat.

Work in seed st pat for 51 ins [129.5 cm] ending with RS facing for next row. Cast off in pat.

**Twisted cord:** (make 2). Cut 3 lengths of yarn 10 ins [25.5 cm] long with 2 strands tog hold one end and with someone holding other end twist strands to the right until they begin to curl. Fold the 2 ends tog and tie in a knot so they will not unravel. The strands will now twist themselves tog. Attach one end to inside RS seam at waist. Attach other tie to left front edge at waist.



**Patons**

*... a part of your life.*

P.O. Box 40, Listowel ON N4W 3H3