

**Patons**  
Classic Wool

**Patons**  
Canadiana

**Patons**  
DECOR



## CLASSIC RAGLAN

### SIZES

#### Bust/chest measurement

Small	30-32 ins [76-81 cm]
Medium	34-36 ins [86-91 cm]
Large	38-40 ins [97-102cm]
Extra-Large	42-44 ins [107-112cm]

#### Finished bust/chest

Small	41 ins [104 cm]
Medium	44 ins [112 cm]
Large	48½ ins [123 cm]
Extra-Large	51½ ins [131 cm]

## MATERIALS

Patons Classic Wool (100 g/3.5 oz)  
or Patons Décor (100 g/3.5 oz)  
or Patons Canadiana (100 g/3.5 oz)

Size	S	M	L	XL
	11	12	13	14 balls

Sizes 4 mm (U.S. 6) and 5 mm (U.S. 8) knitting needles **or size needed to obtain tension**. Cable needle. 2 st holders.

## TENSION

19 sts and 25 rows = 4 ins [10 cm] with larger needles in stocking st.

## ABBREVIATIONS

**C6B** = slip next 3 sts onto a cable needle and leave at back of work. K3, then (P1. K1. P1) from cable needle.

**C6F** = slip next 3 sts onto a cable needle and leave at front of work. P1. K1. P1, then K3 from cable needle.

**PANEL PAT** (worked over 17 sts)  
**1st row:** (RS). P2. C6B. K1. C6F. P2.

**2nd row:** K2. P4. (K1. P1) 3 times. P3. K2.

**3rd row:** P2. K3. (P1. K1) 3 times. P1. K3. P2.

Rep last 2 rows twice more.

**8th row:** As 2nd row.

These 8 rows form panel pat.

## INSTRUCTIONS

*The instructions are written for smallest size. If changes are necessary for larger sizes the instructions will be written thus ( ).*

## BACK

\*\*With smaller needles cast on 114 (**118-126-134**) sts.

**1st row:** (RS). K2. \*P2. K2. Rep from \* to end of row.

**2nd row:** P2. \*K2. P2. Rep from \* to end of row.

Rep these 2 rows (K2. P2) ribbing for 2¼ ins [5.5 cm], ending with a 2nd row and inc 9 (**13-19-19**) sts evenly across last row. 123 (**131-145-153**) sts.

Change to larger needles and proceed in pat as follows:

**1st row:** (RS). K1. (P1. K1) 4 (**6-4-6**) times. \*Work 1st row panel pat. K1. (P1. K1) twice. Rep from \* 3 (**3-4-4**) times more. Work 1st row panel pat. K1. (P1. K1) 4 (**6-4-6**) times.

**2nd row:** K1. (P1. K1) 4 (**6-4-6**) times. \*Work 2nd row panel pat. K1. (P1. K1) twice. Rep from \* 3 (**3-4-4**) times more. Work 2nd row panel pat. K1. (P1. K1) 4 (**6-4-6**) times.

These 2 rows form pat. Panel pats are now in position.



ABBREVIATIONS: [www.patonsyarns.com/glossary](http://www.patonsyarns.com/glossary)

Cont in pat, working appropriate rows of panel pat, until work from beg measures 15¼ (15¼-16¼-17) ins [38.5 (38.5-41.5-43) cm] ending with RS facing for next row.

**Raglan shaping:** Keeping cont of pat cast off 5 sts beg next 2 rows.

**1st row:** K2. Sl1K. K1. Pssso. Pat to last 4 sts. K2tog. K2.

**2nd row:** P2. P2tog. Pat to last 4 sts. P2togtbl. P2.

**3rd row:** As 1st row.

**4th row:** P3. Pat to last 3 sts. P3.\*\* Rep last 4 rows until there are 83 (85-69-59) sts, ending with RS facing for next row.

**1st row:** K2. Sl1K. K1. Pssso. Pat to last 4 sts. K2tog. K2.

**2nd row:** P3. Pat to last 3 sts. P3. Rep last 2 rows until there are 39 (41-43-43) sts, ending with RS facing for next row. Leave rem sts on a st holder.

## FRONT

Work from \*\* to \*\* as for Back. Rep last 4 rows until there are 83 (85-69-65) sts, thus ending with right side facing for next row.

**Sizes S, M and L only: 1st row:** K2. Sl1K. K1. Pssso. Pat to last 4 sts. K2tog. K2.

**2nd row:** P3. Pat to last 3 sts. P3. Rep last 2 rows until there are 55 (59-63) sts, ending with RS facing for next row.

## All Sizes: Neck shaping: Next

**row:** K2. Sl1K. K1. Pssso. Pat 13 (15-16-17) sts (neck edge). Turn.

Leave rem sts on a spare needle.

**Next row:** P2tog. Pat to last 3 (3-3-4) sts. P3 (3-3-0). P0 (0-0-2) togtbl. P0 (0-0-2).

**Next row:** K2. Sl1K. K1. Pssso. Pat to last 2 sts. K2tog.

**Next row:** Pat to last 3 sts. P3. Rep last 2 rows 4 (5-5-5) times more.

**Next row:** K2. Sl1K. K1. Pssso. Pat to end of row.

**Next row:** Pat to last 3 sts. P3. Rep last 2 rows until 3 sts rem.

**Next row:** Sl1K. K2tog. Pssso. Fasten off.

With RS of work facing slip next 21 (21-23-23) sts from spare needle onto a st holder. Join yarn to rem sts and pat to last 4 sts. K2tog. K2.

**Next row:** P3 (3-3-2). P0 (0-0-2) tog. Pat to last 2 sts. P2tog.

**Next row:** K2tog. Pat to last 4 sts. K2tog. K2.

**Next row:** P3. Pat to end of row. Rep last 2 rows 4 (5-5-5) times more.

**Next row:** Pat to last 4 sts. K2tog. K2.

**Next row:** P3. Pat to end of row. Rep last 2 rows until 3 sts rem.

**Next row:** Sl1K. K2tog. Pssso. Fasten off.

## SLEEVES

With smaller needles cast on 62 (62-66-66) sts.

**1st row:** K2. \*P2. K2. Rep from \* to end of row.

**2nd row:** P2. \*K2. P2. Rep from \* to end of row.

Rep these 2 rows (K2. P2) ribbing for 2¼ [5.5 cm], ending with a 2nd row and inc 9 sts evenly across last row. 71 (71-75-75) sts.

Change to larger needles and proceed in pat as follows:

**1st row:** (RS). K1. (P1. K1) 2 (2-3-3) times. \*Work 1st row panel pat. K1. (P1. K1) twice. Rep from \* once more. Work 1st row panel pat. K1. (P1. K1) 2 (2-3-3) times.

**2nd row:** K1. (P1. K1) 2 (2-3-3) times. \*Work 2nd row panel pat. K1. (P1. K1) twice. Rep from \* once more. Work 2nd row panel pat. K1. (P1. K1) 2 (2-3-3) times. These 2 rows form pat. Panel pats are now in position.

Cont in pat, working appropriate rows of panel pat, inc 1 st each end of needle on next and every following 4th row to 75 (89-97-113) sts, then every following 6th row to 101 (107-111-117) sts taking inc sts into pat.

Cont even in pat until sleeve from beg measures 17½ (18-18½-19½) ins [44.5 (45.5-47-49.5) cm] ending with RS facing for next row.

**Raglan shaping:** Keeping cont of pat, cast off 5 sts beg next 2 rows.

**1st row:** K2. Sl1K. K1. Pss0. Pat to last 4 sts. K2tog. K2.

**2nd row:** P2. P2tog. Pat to last 4 sts. P2togtbl. P2.

**3rd row:** As 1st row.

**4th row:** P3. Pat to last 3 sts. P3. Rep last 4 rows until there are 37 (37-35-29) sts ending with RS facing for next row.

**1st row:** K2. Sl1K. K1. Pss0. Pat to last 4 sts. K2tog. K2.

**2nd row:** P3. Pat to last 3 sts. P3. Rep last 2 rows until there are 9 sts, thus ending with RS facing for next row. Leave rem sts on a safety pin.

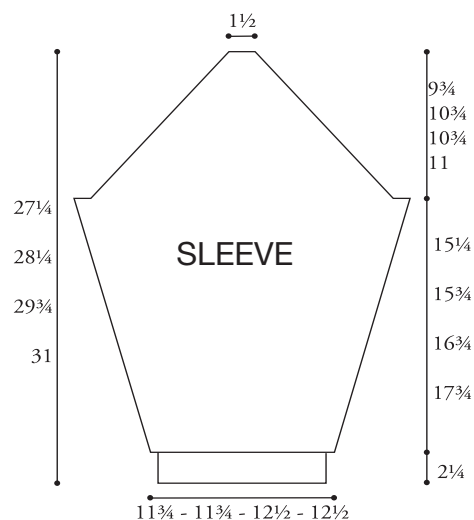
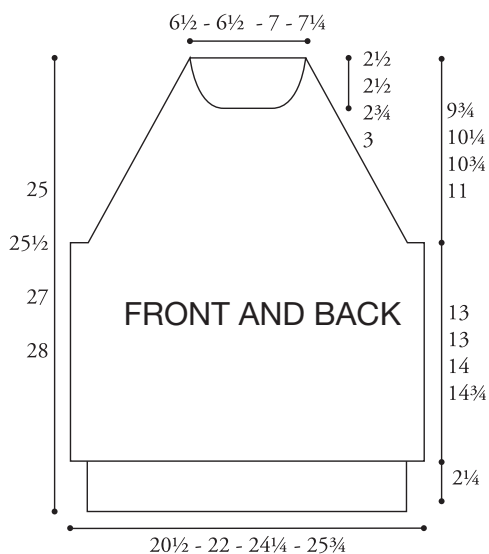
## FINISHING

Block all pieces to measurements, cover with a damp cloth and allow to dry.

**Collar:** Sew raglan seams leaving left back raglan seam open. With RS of work facing and smaller needles, knit across 9 sts from left safety pin dec 1 st in center. Pick up and knit 12 (13-14-14) sts down left front neck edge. Knit across 21 (21-23-23) sts from front st holder dec 1 st in center. Pick up and knit 12 (13-14-14) sts up right front neck edge. Knit across 9 sts from right safety pin dec 1 st in center. Knit across 39 (41-43-43) sts from back st holder dec 1 (1-3-3) st(s) evenly across. 98 (102-106-106) sts.

Beg and ending with a 2nd row work 5 ins [12.5 cm] in (K2. P2) ribbing as for Back. Cast off loosely in ribbing.

Sew left back raglan and collar seam, reversing seam 2½ ins [6 cm] from cast off edge of collar for turn back. Sew side and sleeve seams.



**Patons**

... a part of your life.

P.O. Box 40, Listowel ON N4W 3H3