

Patons
Classic Wool

Patons
Canadiana

Patons
DECOR



DROPPED SHOULDER TUNIC

SIZES

Bust measurement

Small	30-32 ins [76-81 cm]
Medium	34-36 ins [86-91 cm]
Large	38-40 ins [97-102cm]
Extra-Large	42-44 ins [107-112cm]

Finished bust

Small	41 ins [104 cm]
Medium	44 ins [112 cm]
Large	48½ ins [123 cm]
Extra-Large	51½ ins [131 cm]

MATERIALS

Patons Classic Wool (100 g/3.5 oz)
or Patons Décor (100 g/3.5 oz)
or Patons Canadiana (100 g/3.5 oz)

Size	S	M	L	XL	
	12	13	14	15	balls

Sizes 4 mm (U.S. 6) and 5 mm (U.S. 8) knitting needles **or size needed to obtain tension.** Cable needle. 2 st holders.

TENSION

19 sts and 25 rows = 4 ins [10 cm] with larger needles in stocking st.

ABBREVIATIONS

C6B = slip next 3 sts onto a cable needle and leave at back of work. K3, then (P1. K1. P1) from cable needle.

C6F = slip next 3 sts onto a cable needle and leave at front of work. P1. K1. P1, then K3 from cable needle.

PANEL PAT (worked over 17 sts)
1st row: (Right side). P2. C6B. K1. C6F. P2.

2nd row: K2. P4. (K1. P1) 3 times. P3. K2.

3rd row: P2. K3. (P1. K1) 3 times. P1. K3. P2.

Rep last 2 rows twice more.

8th row: As 2nd row.

These 8 rows form panel pat.

INSTRUCTIONS

The instructions are written for smallest size. If changes are necessary for larger sizes the instructions will be written thus ().

FRONT

With smaller needles cast on 103 (111-121-129**) sts.

1st row: (RS). K1. *P1. K1. Rep from * to end of row.

This row forms seed st pat.

Cont in seed st pat until work from beg measures 1½ ins [4 cm] ending with **WS** facing for next row.

Next row: K1. (P1. K1) 4 (**6-4-6**) times. *K2. Purl into front and back of next 2 sts. P1. (K1. P1) twice. Purl into front and back of next 2 sts. K3. (P1. K1) twice. Rep from * 3 (**3-4-4**) times more. K2. Purl into front and back of next 2 sts. P1. (K1. P1) twice. Purl into front and back of next 2 sts. K3. (P1. K1) 4 (**6-4-6**) times. 123 (**131-145-153**) sts.

Change to larger needles and proceed in pat as follows:



ABBREVIATIONS: www.patonsyarns.com/glossary

1st row: (RS). K1. (P1. K1) 4 (6-4-6) times. *Work 1st row panel pat. K1. (P1. K1) twice. Rep from * 3 (3-4-4) times more. Work 1st row panel pat. K1. (P1. K1) 4 (6-4-6) times.

2nd row: K1. (P1. K1) 4 (6-4-6) times. *Work 2nd row panel pat. K1. (P1. K1) twice. Rep from * 3 (3-4-4) times more. Work 2nd row panel pat. K1. (P1. K1) 4 (6-4-6) times. These 2 rows form pat. Panel pats are now in position.

Cont in pat, working appropriate rows of panel pat, until work from beg measures 17½ ins [44.5 cm] ending with RS facing for next row.

Armhole shaping: Keeping cont of pat cast off 4 sts beg of next 2 rows. 115 (123-137-145) sts.** Cont even in pat until work from beg measures 24 (24½-24¾-25) ins [61 (62-63-63.5) cm] ending with RS facing for next row.

Neck shaping: Next row: Pat across 50 (54-60-64) sts (neck edge). **Turn.** Leave rem sts on a spare needle. Dec 1 st at neck edge on next 12 rows. 38 (42-48-52) sts. Cont even in pat until work from beg measures 26½ (27-27½-28) ins [67.5 (68.5-70-71) cm] ending with RS facing for next row.

Shoulder shaping: Cast off 13 (14-16-17) sts beg next and following alt row. Work 1 row even. Cast off rem 12 (14-16-18) sts.

With RS of work facing slip next 15 (15-17-17) sts from spare needle onto a st holder. Join yarn to rem sts and pat to end of row. Dec 1 st at neck edge on next 12 rows. Cont even in pat until work from beg measures 26½ (27-27½-28) ins [67.5 (68.5-70-71) cm] ending with **WS** facing for next row.

Shoulder shaping: Cast off 13 (14-16-17) sts beg next and following alt row. Work 1 row even. Cast off rem 12 (14-16-18) sts.

BACK

Work from ** to ** as given for Front.

Cont even in pat until work from beg measures same length as Front at beg of shoulder shaping ending with RS facing for next row.

Shoulder shaping: Cast off 13 (14-16-17) sts beg next 4 rows, then 12 (14-16-18) sts beg following 2 rows. Leave rem 39 (39-41-41) sts on a st holder.

SLEEVES

With smaller needles cast on 62 (62-66-66) sts.

1st row: K2. *P2. K2. Rep from * to end of row.

2nd row: P2. *K2. P2. Rep from * to end of row.

Rep these 2 rows (K2. P2) ribbing for 1½ ins [4 cm], ending with a 2nd row and inc 9 sts evenly across last row. 71 (71-75-75) sts.

Change to larger needles and proceed in pat as follows:

1st row: (RS). K1. (P1. K1) 2 (2-3-3) times. *Work 1st row panel pat. K1. (P1. K1) twice. Rep from * once more. Work 1st row panel pat. K1. (P1. K1) 2 (2-3-3) times.

2nd row: K1. (P1. K1) 2 (2-3-3) times. *Work 2nd row panel pat. K1. (P1. K1) twice. Rep from * once more. Work 2nd row panel pat. K1. (P1. K1) 2 (2-3-3) times. These 2 rows form pat. Panel pats are now in position.

Cont in pat, working appropriate rows of panel pat, inc 1 st each end of needle on next and every following 4th row to 75 (89-97-113) sts, then every following 6th row to 103 (109-115-123) sts taking inc sts into pat.

Cont even in pat until sleeve from beg measures 17½ (18-18½-19) ins [44.5 (45.5-47-48) cm] ending with RS facing for next row. Cast off. Place markers on side edges of sleeves ¾ ins [2 cm] down from cast off edge.

FINISHING

Block all pieces to measurements, cover with a damp cloth and allow to dry.

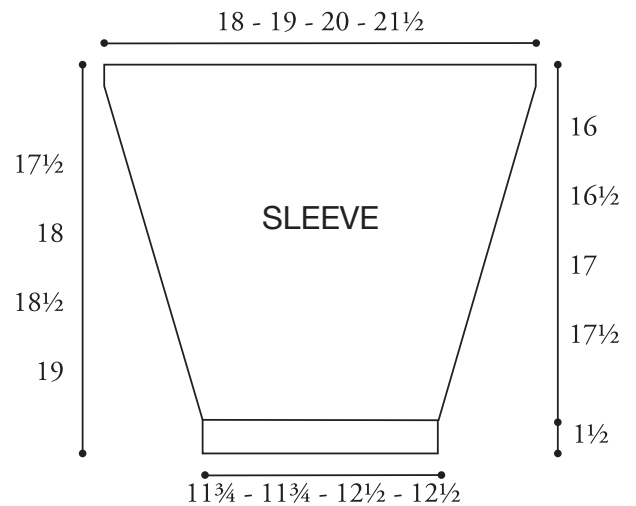
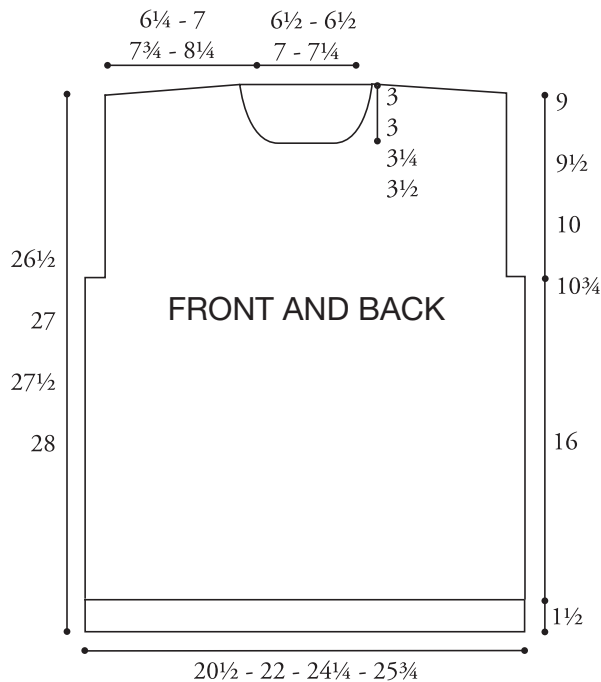
Neckband: Sew right shoulder seam. With right side of work facing and smaller needles, pick up and knit 19 (**19-20-21**) sts down left front neck edge. Knit across 15 (**15-17-17**) sts from front st holder, dec 1 (**1-2-2**) st(s) evenly across. Pick up and knit 19 (**19-20-21**) sts up right front neck edge. Knit across 39 (**39-41-43**) sts from back st holder dec 1 (**1-2-2**) st(s) evenly across. 90 (**90-94-98**) sts.

Beg and ending with a 2nd row work in (K2. P2) ribbing for 2 ins [5 cm], ending with RS facing for next row. Cast off in ribbing.

Sew left shoulder and neckband seam.

Sew in sleeves placing rows below markers along cast off sts at armhole to form a square armhole.

Place markers on front and back side edges 4 ins [10 cm] up from cast on edge. Sew side seams above markers. Sew sleeve seams.



Patons

... a part of your life.

P.O. Box 40, Listowel ON N4W 3H3