



INTERMEDIATE

### MEASUREMENTS

#### SIZES

To fit bust measurement

**Extra-Small/Small** - 28-34" [ 71-86.5 cm ]

**Medium** - 36-38" [ 91.5-96.5 cm ]

**Large** - 40-42" [ 101.5-106.5 cm ]

**Extra-Large** - 44-46" [ 112-117 cm ]

**2/3 XL** - 48-54" [ 122-137 cm ]

**4/5 XL** - 56-62" [ 142-157.5 cm ]

#### Finished bust

**Extra-Small/Small** - 37" [ 94 cm ]

**Medium** - 41" [ 104 cm ]

**Large** - 45" [ 115.5 cm ]

**Extra-Large** - 49" [ 124.5 cm ]

**2/3 XL** - 56" [ 142 cm ]

**4/5 XL** - 63" [ 160 cm ]

#### TENSION

22 sts and 28 rows = 4" [10 cm] in stocking st with larger needles.

### MATERIALS

Patons® Classic Wool DK Superwash™ (1.75 oz/50 g; 125 yds/114 m)

SIZES	XS/S	M	L	XL	2/3XL	4/5XL	
<b>Main Color (MC)</b> Apple Green (12223)	9	9	10	11	12	13	<b>balls</b>
<b>Contrast A</b> Cork (12012)	1	1	2	2	2	2	<b>balls</b>
<b>Contrast B</b> Deep Olive (12205)	1	1	2	2	2	2	<b>balls</b>
<b>Contrast C</b> Gold (12609)	1	1	1	1	2	2	<b>balls</b>
<b>Contrast D</b> Pumpkin (12630)	1	1	2	2	2	2	<b>balls</b>

Sizes U.S. 5 (3.75 mm) and (4 mm) knitting needles **or size needed to obtain tension.** 3 st holders. 5 buttons.

### INSTRUCTIONS

The instructions are written for smallest size. If changes are necessary for larger sizes the instructions will be written thus ( ). Numbers for each size are shown in the same color throughout the pattern. When only one number is given in black, it applies to all sizes.

#### Stripe Pat

With A work 2 rows stocking st.

With B work 4 rows stocking st.

With A work 2 rows stocking st.

With MC work 14 rows stocking st.

With C work 2 rows stocking st.

With D work 4 rows stocking st.

With C work 2 rows stocking st.

With MC work 14 rows stocking st.

These 44 rows form Stripe Pat.

#### BACK

With D and smaller needles, cast on **102 (114-122-134-154-174)** sts. Break D. Join MC.

**1st row:** (RS). With MC, \*K2. P2. Rep from \* to last 2 sts. K2.

**2nd row:** \*P2. K2. Rep from \* to last 2 sts. P2.

Rep last 2 rows (K2. P2) ribbing for 2½" [6 cm], ending with a 2nd row and inc **0 (0-2-0-0-0)** sts evenly across last row. **102 (114-124-134-154-174)** sts.

Change to larger needles and proceed as follows:

**Sizes XS/S, M, L and XL only:** Proceed in Stripe Pat for 8 rows.

Cont in Stripe Pat and work side dec as follows:

**1st row:** (RS). K3. K2tog. Knit to last

5 sts. ssk. K3.

Work 9 rows even in pat.

Rep last 10 rows 3 times more.

**94 (106-116-126)** sts.

Work 10 rows even in pat.

Cont in Stripe Pat and work side inc as follows:

**1st row:** (RS). K3. Inc1 in next st. Knit to last 4 sts. Inc1 in next st. K3.

Work 9 rows even in pat.

Rep last 10 rows 3 times more.

**102 (114-124-134)** sts.

**All sizes:** Cont even in Stripe Pat until work from beg measures approx 17½" [44.5 cm], ending with any purl row of MC. Break A, B, C and D.

**Shape armholes:** With MC only, cast off **4 (5-6-8-10-14)** sts beg next 2 rows. **94 (104-112-118-134-146)** sts.

**1st row:** (RS). K2. K2tog. Knit to last 4 sts. ssk. K2.

**2nd row:** P2. P2togtbl. Purl to last 4 sts. P2tog. P2.

Rep last 2 rows **1 (2-2-2-3-5)** time(s) more. **86 (92-100-106-118-122)** sts.

**Next row:** (RS). K2. K2tog. Knit to last 4 sts. ssk. K2.

**Next row:** Purl.

Rep last 2 rows **5 (6-8-8-12-11)** times more. **74 (78-82-88-92-98)** sts.

Cont even until armhole measures **8 (8½-9-9½-10-10½)" [20.5 (21.5-23-24-25.5-26.5)** cm, ending with a purl row.



### Shape shoulders and back neck:

**1st row:** (RS). Cast off **6 (7-7-8-8-9)** sts. **K13 (14-15-16-17-18)**, including st on needle after cast off. K2tog. **Turn.** Leave rem sts on a st holder.

**2nd row:** P2tog. Purl to end of row.

**3rd row:** Cast off **6 (7-7-8-8-9)** sts. Knit to last 2 sts. K2tog.

**4th row:** Purl.

Cast off rem **7 (7-8-8-9-9)** sts.

With RS facing, cast off **32 (32-34-36-38-40)** sts.

Join MC to rem sts and proceed as follows:

**1st row:** (RS). ssk. Knit to end of row.

**2nd row:** Cast off **6 (7-7-8-8-9)** sts. Purl to last 2 sts. P2togtbl.

**3rd row:** ssk. Knit to end of row.

**4th row:** Cast off **6 (7-7-8-8-9)** sts. Purl to end of row.

**5th row:** Knit.

Cast off rem **7 (7-8-8-9-9)** sts.

### LEFT FRONT

\*\*With D and smaller needles, cast on **50 (54-58-66-74-86)** sts. Break D. Join MC.

**1st row:** (RS). With MC, \*K2. P2. Rep from \* to last 2 sts. K2.

**2nd row:** \*P2. K2. Rep from \* to last 2 sts. P2.

Rep last 2 rows (K2. P2) ribbing for 2½" [6 cm], ending with a 2nd row and inc **1 (3-3-1-3-1)** st(s) evenly across last row. **51 (57-61-67-77-87)** sts.\*\*

Change to larger needles and proceed as follows:

**Sizes XS/S, M, L and XL only:** Proceed in Stripe Pat for 8 rows.

Cont in Stripe Pat and work side dec as follows:

**1st row:** (RS). K3. K2tog. Knit to end of row.

Work 9 rows even in pat.

Rep last 10 rows 3 times more. **47 (53-57-63)** sts.

Work 10 rows even in pat.

Cont in Stripe Pat and work side inc as follows:

**1st row:** (RS). K3. Inc1 in next st. Knit to end of row.

Work 9 rows even in pat.

Rep last 10 rows 3 times more. **51 (57-61-67)** sts.

**All sizes:** Cont even in Stripe Pat until work from beg measures same length as Back, ending with purl row and same row of pat. Break A, B, C and D.

**Shape armhole:** With MC only, cast off **4 (5-6-8-10-14)** sts beg next row.

**47 (52-55-59-67-73)** sts.

**1st row:** (WS). Purl to last 4 sts. P2tog. P2.

**2nd row:** K2. K2tog. Knit to end of row. Rep last 2 rows **1 (2-2-2-3-5)** time(s) more. **43 (46-49-53-59-61)** sts.

Purl 1 row.

**Shape V-neck and armhole: Next row:** (RS). K2. K2tog. Knit to last 3 sts. ssk.

K1. Place marker at end of row.

**Next row:** Purl.

Rep last 2 rows **5 (6-8-8-12-11)** times more. **31 (32-31-35-33-37)** sts.

**Next row:** (RS). Knit to last 3 sts. ssk. K1.

**Next row:** Purl.

Rep last 2 rows **6 (4-0-3-0-3)** times more. **24 (27-30-31-32-33)** sts.

**Next row:** (RS). Knit to last 3 sts. ssk. K1.

Work 3 rows even.

Rep last 4 rows **5 (6-8-7-7-6)** times more. **18 (20-21-23-24-26)** sts.

Cont even until armhole measures same length as Back, ending with a purl row.

**Shape shoulder:** Cast off **6 (7-7-8-8-9)** sts beg of next and following alt row. Purl 1 row. Cast off rem **6 (6-7-7-8-8)** sts.

### RIGHT FRONT

Work from \*\* to \*\* as given for Left Front.

Change to larger needles and proceed as follows:

**Sizes XS/S, M, L and XL only:** Proceed in Stripe Pat for 8 rows.

Cont in Stripe Pat and work side dec as follows:

**1st row:** (RS). Knit to last 5 sts. ssk. K3. Work 9 rows even in pat.

Rep last 10 rows 3 times more. **47 (53-57-63)** sts.

Work 10 rows even in pat.

Cont in Stripe Pat and work side inc as follows:

**1st row:** (RS). Knit to last 4 sts. Inc1 in next st. K3.

Work 9 rows even in pat.

Rep last 10 rows 3 times more. **51 (57-61-67)** sts.

**All sizes:** Cont even until work from beg measures same length as Back, ending with knit row and 1 extra row of MC. Break A, B, C and D.

**Shape armhole:** With MC only, cast off **4 (5-6-8-10-14)** sts beg next row. **47 (52-55-59-67-73)** sts.

**1st row:** (RS). Knit to last 4 sts. ssk. K2.

**2nd row:** P2. P2togtbl. Purl to end of row.

Rep last 2 rows **1 (2-2-2-3-5)** time(s) more. **43 (46-49-53-59-61)** sts.

**Shape V-neck and armhole: Next row:** (RS). K1. ssk. Knit to last 4 sts. ssk. K2.

Place marker at beg of row.

**Next row:** Purl.

Rep last 2 rows **5 (6-8-8-12-11)** times more. **31 (32-31-35-33-37)** sts.

**Next row:** (RS). K1. ssk. Knit to end of row.

**Next row:** Purl.

Rep last 2 rows **6 (4-0-3-0-3)** times more. **24 (27-30-31-32-33)** sts.

**Next row:** (RS). K1. ssk. Knit to end of row.

Work 3 rows even.

Rep last 4 rows **5 (6-8-7-7-6)** times more. **18 (20-21-23-24-26)** sts.

Cont even until armhole measures same length as Back, ending with a knit row.



**Shape shoulder:** Cast off **6 (7-7-8-8-9)** sts beg of next and following alt row. Knit 1 row. Cast off rem **6 (6-7-7-8-8)** sts.

### SLEEVES

With D and smaller needles, cast on **50 (50-54-54-58-62)** sts. Break D. Join MC.

**1st row:** (RS). With MC, \*K2. P2. Rep from \* to last 2 sts. K2.

**2nd row:** \*P2. K2. Rep from \* to last 2 sts. P2.

Rep last 2 rows (K2. P2) ribbing for 2½" [6 cm], ending with a 2nd row.

Change to larger needles and proceed in Stripe Pat inc 1 st each end of needle on next and every following **6th (4th-4th-4th-4th-4th)** row until there are **78 (66-74-94-94-108)** sts, then every following **8th (6th-6th-6th-6th-6th)** row until there are **82 (88-94-100-104-110)** sts.

Cont even in Stripe Pat until work from beg measures approx **17½ (17½-17½-17-17-16½)" [44.5 (44.5-44.5-43-43-42)** cm], ending with any purl row of MC. Break A, B, C and D.

With MC only, proceed as follows.

**Shape top:** Cast off **3 (4-5-6-7-10)** sts beg next 2 rows. **76 (80-84-88-90-90)** sts.

**1st row:** (RS). K2. K2tog. Knit to last 4 sts. ssk. K2.

**2nd row:** Purl.

Rep last 2 rows **10 (10-11-12-13-15)** times more. **54 (58-60-62-62-58)** sts.

**1st row:** (RS). K2. K2tog. Knit to last 4 sts. ssk. K2.

**2nd row:** P2. P2togtbl. Purl to last 4 sts. P2tog. P2.

**3rd row:** As 1st row.

**4th row:** Purl.

Rep last 4 rows until there are **18 (18-20-22-22-22)** sts. Cast off.

### FINISHING

Pin garment pieces to measurements and cover with damp cloth leaving cloth to dry.

Sew shoulder seams.

**Button band and collar:** With D and smaller needles cast on 8 sts. Break D. Join MC.

**1st row:** (RS). With MC, K1. (P1. K1) 3 times. K1.

**2nd row:** (K1. P1) 4 times.

Rep last 2 rows until work from beg measures along front edge length to fit from cast on edge to marked row (beg of V-neck shaping), ending with WS row. Sew in place as you knit, stretching band slightly to fit along front edge.

**Shape collar: 1st row:** (RS). Inc1 in first st. Rib to last 2 sts. Inc1 in next st. K1.

**2nd row:** Sl1P. Rib to end of row, taking inc sts into (K1. P1) ribbing.

**3rd row:** Rib to last st. K1.

**4th row:** As 2nd row.

Rep last 4 rows until there are 28 sts.

Cont even in ribbing, slipping first st on WS until collar measures length to fit along V-neck edge and ends at center of back neck edge, ending with a WS row. Cast off in rib.

Place markers for 5 buttons on button band, having bottom button 4 rows up from cast off edge, top button at last row of button band and rem 3 sts spaced evenly between.

Work buttonholes to correspond to button markers as follows:

**1st row:** (RS). K2. P1. Cast off 2 sts. K1. P1. K1.

**2nd row:** P1. K1. P1. Cast on 2 sts over cast off sts. K1. P1. K1.

### Buttonhole band and collar:

With D and smaller needles cast on 8 sts. Break D. Join MC.

**1st row:** (RS). With MC, K2. (P1. K1) 3 times.

**2nd row:** (P1. K1) 4 times.

Rep last 2 rows, noting buttonhole position, until work from beg measures along front edge length to fit from cast on edge to marked row (beg of V-neck shaping), ending with WS row. Sew in place as you knit.

**Shape collar: 1st row:** (RS). Sl1. Inc1 in next st. Rib to last 2 sts. Inc1 in next st. K1. 9 sts.

**2nd row:** Rib to last st, taking inc sts into (K1. P1) ribbing. P1.

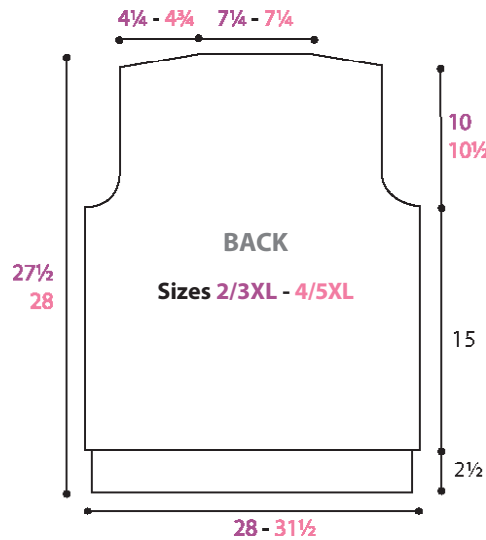
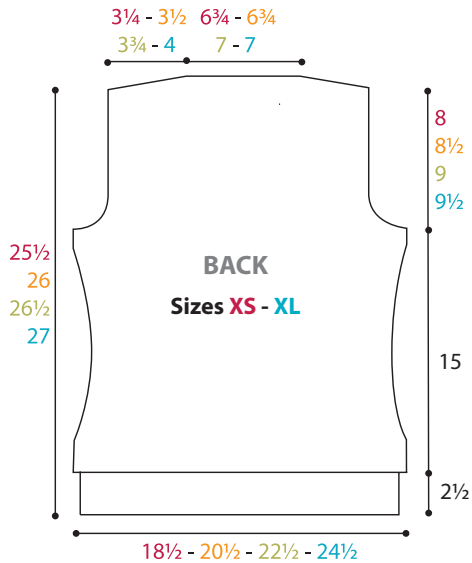
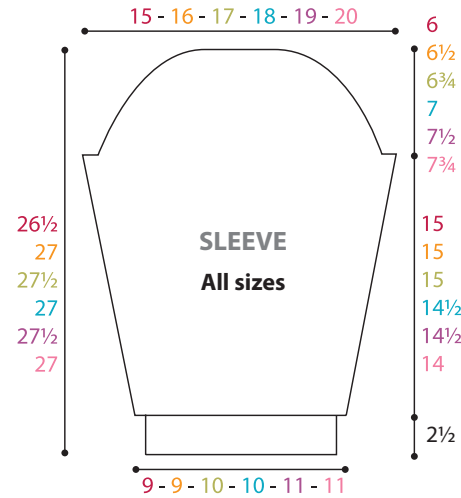
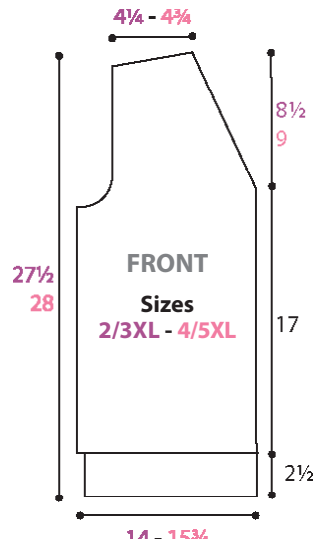
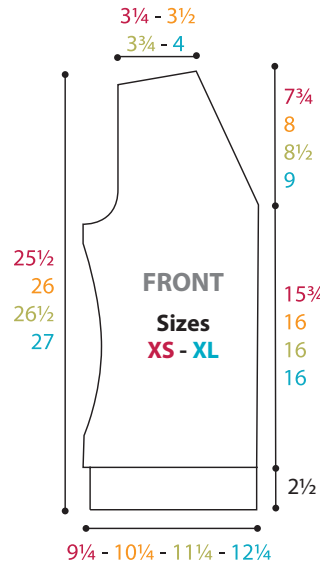
**3rd row:** Sl1. Rib to end of row.

**4th row:** As 2nd row.

Rep last 4 rows until there are 28 sts.

Cont even in ribbing, slipping first st on RS until collar measures length to fit along V-neck edge and ends at center of back neck edge, ending with a WS row. Cast off in rib.

Sew in sleeves. Sew side and sleeve seams. Sew on buttons to correspond to buttonholes.



### ABBREVIATIONS: [www.yarnspirations.com/abbreviations](http://www.yarnspirations.com/abbreviations)

**Alt** = Alternate

**Beg** = Beginning

**Cont** = Continue(ity)

**Dec** = Decrease(ing)

**Inc** = Increase(ing)

**K** = Knit

**K2tog** = Knit next 2 stitches together

**P** = Purl

**Pat** = Pattern

**P2togtbl** = Purl next 2 stitches through back loops

**Rem** = Remaining

**Rep** = Repeat

**RS** = Right side

**Ssk** = Slip next 2 stitches knitwise one at a time. Pass them back onto left-hand needle, then knit through back loops together

**St(s)** = Stitch(es)

**WS** = Wrong side