



Svetlana Avrakh
Designer

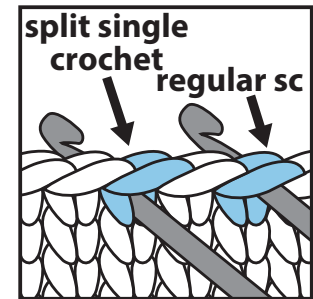


CROCHET | SKILL LEVEL: INTERMEDIATE

ABBREVIATIONS

- Beg** = Beginning
- Ch** = Chain(s)
- Hdc** = Half double crochet
- Dcfp** = Yoh and draw up a loop around post of next st at front of work inserting hook from right to left. (Yoh and draw through 2 loops on hook) twice - 1 dcfp made
- PM** = Place marker
- Rem** = Remaining
- Rep** = Repeat
- Rnd(s)** = Round(s)
- RS** = Right side
- Sc** = Single crochet
- Sc2tog** = Draw up a loop in each of next 2 sc. Yoh and draw through all 3 loops on hook

Split sc = work sc between 'legs' of stitch (splitting stitch) instead of through top loops



- Sl st** = Slip stitch
- St(s)** = Stitch(es)
- WS** = Wrong side
- Yoh** = Yarn over hook

MATERIALS

Sizes	XS/S	M	L	XL	2/3XL	4/5XL	
Patons® Kroy Socks FX™ (1.75 oz/50 g; 166 yds/152 m)							
Main Color (MC) Copper Colors (57510)	4	5	5	6	7	8	balls
Patons® Kroy Socks™ (1.75 oz/50 g; 166 yds/152 m)							
Contrast A Muslin (55008)	1	1	1	2	2	2	ball(s)
Contrast B Gentry Grey (55042)	2	2	3	3	3	4	balls

Size U.S. 7 (4.5 mm) crochet hook **or size needed to obtain gauge.**
Stitch marker.

GAUGES

15 sc and 18 rows = 4" [10 cm].

15 split sc and 27 rows = 4" [10 cm].

SIZES

To fit bust measurement

XS/S	28-34" [71-86.5 cm]
M	36-38" [91.5-96.5 cm]
L	40-42" [101.5-106.5 cm]
XL	44-46" [112-117 cm]
2/3XL	48-54" [122-137 cm]
4/5XL	56-62" [142-157.5 cm]

Finished bust

XS/S	39½" [100.5 cm]
M	42" [106.5 cm]
L	46" [117 cm]
XL	50" [127 cm]
2/3XL	56" [142 cm]
4/5XL	61½" [156.5 cm]

INSTRUCTIONS

The instructions are written for smallest size. If changes are necessary for larger sizes the instructions will be written thus (.). Numbers for each size are shown in the same color throughout the pattern. When only one number is given in black, it applies to all sizes.

Notes:

- Join all rnds with sl st to first st.
- Ch 2 at beg of rnd/row **does not** count as st.
- To change color, work to last 2 loops on hook and draw new color through last 2 loops and proceed, keeping color change to WS of work.
- Carry color not in use along top of last row and work new sts around carried color.
- Body is worked in rnds from neck edge down.

Yoke

Beg at neck edge with A, ch **60** (66-72-78-84-90) loosely. Join in rnd. PM on first st.

1st rnd: Ch 2. 1 hdc in each ch around. Join. **60** (66-72-78-84-90) hdc.

2nd rnd: Ch 2. *With MC, 1 dcfp around next st. With A, 1 hdc in next st. Rep from * around. Join with MC.

Rep last rnd once more.

Working in split sc, work Chart I (I-I-II-II-III) (see page 4) to end of chart, reading rnds from right to left and noting 6-st rep will be worked **10** (11-12-13-14-15) times. **220** (242-264-286-308-330) sc. Break A and B.

Next rnd: With MC, ch 1. 1 split sc in each sc around. Join. Rep last rnd **0** (2-4-4-6-6) times more.

Divide for Body and Sleeves:

1st rnd: Ch 1. 1 split sc in each of next **68** (75-82-89-98-107) sc - Back. Ch **6** (4-4-6-8-8). Skip next **42** (46-50-54-56-59) sc - Right Sleeve. 1 split sc in each of next **68** (75-82-89-98-107) sc - Front. Ch **6** (4-4-6-8-8). Skip next **42** (46-50-54-56-59) sc - Left Sleeve. Join. PM for beg of rnd.

2nd rnd: Ch 1. 1 split sc in each st and 1 sc in each ch around. Join. **148** (158-172-190-212-230) sc.

3rd to 8th rnds: Ch 1. 1 split sc in each st around. Join.

Sizes XS/S and M only: Next rnd:

Ch 1. *1 split sc in each of next **73** (78) sts. 2 split sc in next st. Rep from * once more. **150** (160) sts. Join.

Sizes L and 2/3XL only: Next rnd: Ch 1. *1 split sc in each of next (84-104) ts. Split sc2tog. Rep from * once more. (170-210) sts. Join.

All sizes: 150 (160-170-190-210-230) sts.

Working in split sc, proceed in Chart III (see page 4) to end of chart, reading rnds from right to left and noting 5-st rep will be worked **30** (32-34-38-42-46) times.

Next rnd: With MC, ch 1. 1 split sc in each st around. Join.

Rep last rnd until work from dividing rnd measures **6** (6-6-7-8-9)" [**15** (15-15-18-20.5-23) cm].

****Ribbing: 1st rnd:** Ch 2 (does not count as st). 1 hdc in each st around. Join.

2nd to 4th rnds: Ch 2. *With MC, 1 dcfp around next st. With A, 1 hdc in next st. Rep from * around.

Fasten off.**

SLEEVES

With RS facing, join MC with sl st to rem loop of **4th** (**3rd-3rd-4th-5th-5th**) ch of underarm ch **6** (**4-4-6-8-8**). Ch 1. 1 sc in each ch and split sc in each sc around. Join with sl st to first sc. **48** (**50-54-60-64-67**) sc. PM for beg of rnd.

1st rnd: (RS). Ch 1. 1 split sc in each sc and 1 sc in each ch around. Join. Rep last rnd 5 times more.

Sizes XS/S, L and 2/3XL only:

Next rnd: Ch 1. *1 split sc in each of next **23** (**53-63**) sc. 2 split sc in next sc. Rep from * **1** (**0-0**) time(s) more. Join. **50** (**55-65**) sc.

Size 4/5XL only: Next rnd: Ch 1. 1 split sc in first sc. *1 split sc in each of next 31 sc. Split sc2tog. Rep from * once more. Join. 65 sc.

All sizes: **50** (**50-55-60-65-65**) sc.

Working in split sc, work Chart III (see page 4) to end of chart, reading rnds from right to left and noting 5-st rep will be worked **10** (**10-11-12-13-13**) times.

Next rnd: With MC, ch 1. Split sc2tog. 1 split sc in each st to last 2 sts. Split sc2tog. Join with sl st to first sc. **48** (**48-53-58-63-63**) sts.

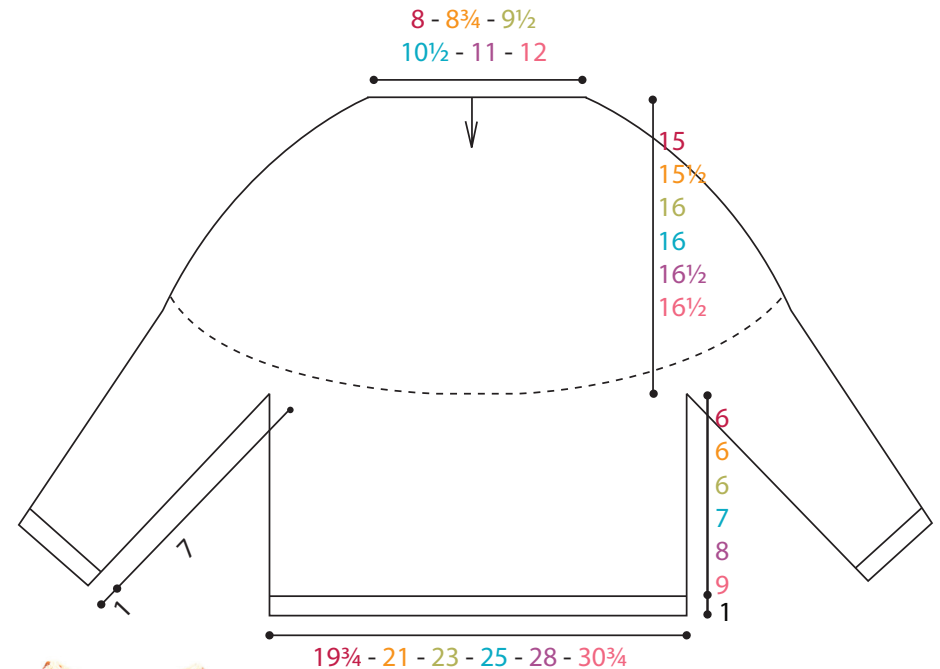
Next rnd: Ch 1. 1 sc in first st. 1 split sc in each st to last st. 1 sc in last st. Join with sl st to first sc.

Next 2 rnds: Ch 1. 1 split sc in each st around. Join with sl st to first sc. Rep last 4 rnds 3 times more. **42** (**42-47-52-57-57**) sts.

Sizes L, 2/3XL and 4/5XL only:

1st rnd: Ch 1. Sc2tog. 1 split sc in each st to end of rnd. Join with sl st to first st. (**46-56-56**) sts.

All sizes: Rep from ** to** as given for Body.



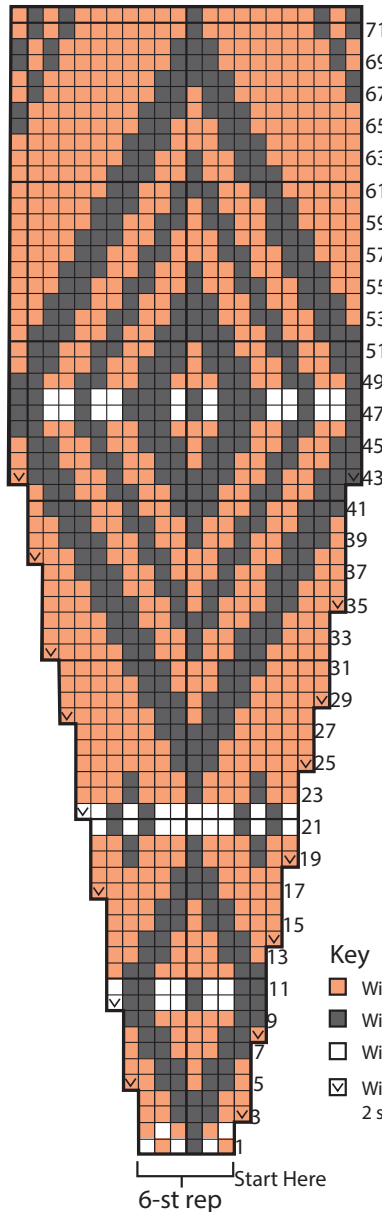


Chart I (XS/S, M, L)

- Key**
- With MC, 1 split sc in next sc
 - With B, 1 split sc in next sc
 - With A, 1 sc in next sc
 - With appropriate color, 2 split sc in next sc

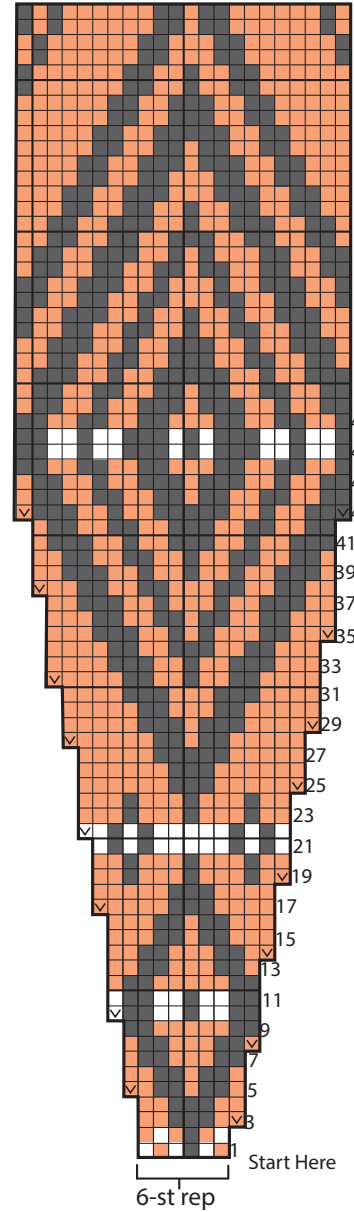


Chart II (XL, 2/3XL, 4/5XL)

Chart III

