



MATERIALS

Patons® Classic Wool Roving™ (3.5 oz/100 g; 120 yds/109 m)
Aran (77008) **1 ball**

Size U.S. J/10 (5.75-6 mm) crochet hook **or size needed to obtain gauge.**

ABBREVIATIONS

Approx =

Approximate(ly)

Beg = Begin(ning)

Ch = Chain(s)

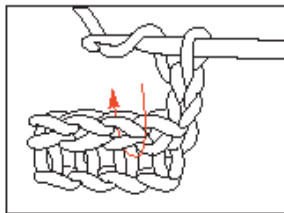
Dc = Double crochet

Hdc = Half double
crochet

Hdcfl = Half double
crochet in front loop
only

Hdcf2l = Half double
crochet in front
loop only. Yoh and
draw up a loop
in horizontal bar
created by hdc at
front of work and

front loop in next
st. Yoh and draw
through all 3 loops
on hook.



Hdcf2lCluster =
(Yoh and draw up a
loop in horizontal
bar created by hdc
at front of work and
front loop) twice in

next st. Yoh and draw
through all 5 loops
on hook

Pat = Pattern

RS = Right side

Sc = Single crochet

Scf2l = Draw up a
loop in horizontal
bar created by hdc
at front of work and
front loop in next

st. Yoh and draw
through

Sp(s) = Space(s)

Tog = Together

Yoh = Yarn over hook



CROCHET | SKILL LEVEL: **BEGINNER**

SIZES

To fit average lady's head

GAUGE

10 sc and 11 rows = 4" [10 cm].

INSTRUCTIONS

Note: Ch 2 at beg of row does not count as hdc.

Hat

Ch 38.

1st row: (RS). 1 hdc in 3rd ch from hook and each ch to end of chain. Turn. 36 hdc.

2nd row: Ch 2. 1 hdcf2l in each st to end of row. Turn.

3rd row: Ch 2. *1 hdcf2lCluster in next st. 1 scf2l in next st. Rep from * to end of row. Turn.

4th row: Ch 2. *1 hdcfl in next st. 1 hdcf2l in next st. Rep from * to end of row. Turn.

5th row: Ch 2. 1 hdcf2l in each st to end of row. Turn.

6th row: As 5th row.

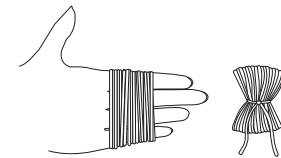
Rep 3rd-6th rows until work from beg measures approx 21" [53.5 cm], ending on a 5th row.

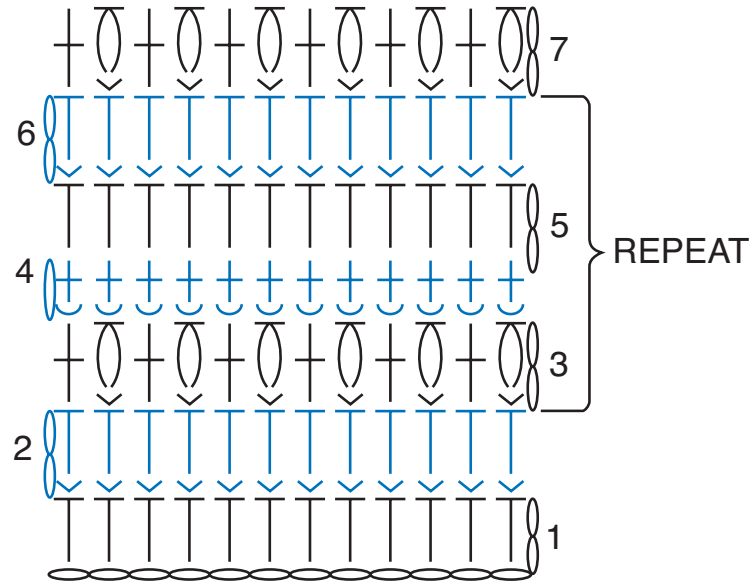
Fasten off.

Sew Foundation chain and last row tog, reversing seam approx 4" [10 cm] for turn back.

Weave yarn around one end and gather top tog. Pull tightly. Fasten securely.

Pompom: Wind yarn around 4 fingers approx 140 times. Remove from fingers and tie tightly in center. Cut through each side of loops. Trim to a smooth round shape. Attach Pompom to top of hat.





REDUCED SAMPLE OF HAT PATTERN

STITCH KEY

- = chain (ch)
- ⊕ = single crochet (sc)
- ⊥ = half double crochet (hdc)
- ⊥ = half double crochet cluster (HdcCluster)
- ∨ = worked in front horizontal bar only
- ∨ = worked in front loop only



Tiffany Brown
from Daisy Farm Crafts

Daisy Farm Crafts