



Technique:	Sewing
Skill Level:	Beginner/Easy
Crafting time:	Afternoon

Sew up a lunch box to brighten the mid-day meal. It's a quick and easy project- make several just for fun.

Supplies:

Laminated Fabric, 8¼" x 26" (21 x 65cm)
Coats Dual Duty XP All-purpose thread to match fabric
Hook & Loop fastener tape 5" (13cm)
Button

Additional Requirements:

Additional Requirements
Sewing Machine
Basic Sewing supplies

Fabric shown here:

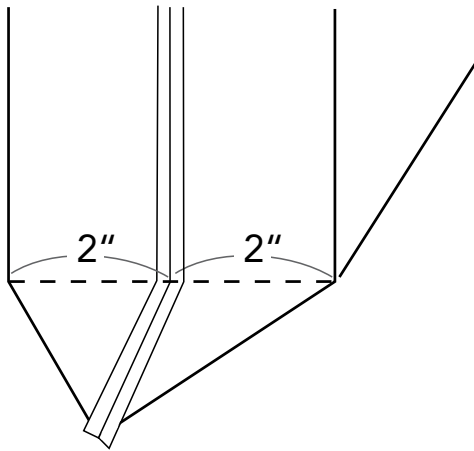
FreeSpirit Sugar Hill Laminate Art. No OCTW003.WHITE by Tanya Whelan. While this collection may no longer be available, there are many other great fabrics from FreeSpirit to choose from.

General instructions:

How it's done: cut fabric as shown in Line chart and sew hook & loop fastener to laminated side of fabric as shown in Chart. Fold in half, right sides together and sew together long sides of bag. To allow the bag to stand, box the corners on inside as shown. Then turn the bag, turn top edge under $\frac{1}{4}$ " and edgestitch around top opening. Roll top of bag down and secure with hook & loop tape.

The lunchbag can also be decorated with a button if preferred.

Miter the corners



Line chart

