



# shell rummel®

**Featuring Soft Repose by Shell Rummel, Dual Duty XP®**

Whether you're going out for a day of shopping or simply need a place to stow your laptop on the way to work, this handy tote is the answer. A secure outer zippered pocket is ideal for holding your phone or tablet.

Collection:	<b>Soft Repose by Shell Rummel, Dual Duty XP®</b>
Technique:	Sewing
Skill Level:	Experienced Beginner
Crafting Time:	Weekend*
Finished Size:	14" (35.56cm tall x 22" (55.88cm) wide (at top)

*\*Crafting time based on Experienced Beginner skill level*

*Project designed by Karen Schaphorst*

## Supplies

- Dual Duty XP All-purpose thread
- Coats Polyester All-purpose zipper, 12" (30cm) white

## Fabric Requirements

*Fabrics from Soft Repose by Shell Rummel*

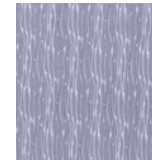
DESIGN	ARTICLE CODE	YARDAGE
(A) Tranquility	PWSR003.8GREY	½ yd (45.72cm)
(B) Steel Magnolia	PWSR002.8GREY	½ yd (45.72cm)
(C) Raindrop	PWSR001.8GREY	1 yd (.91m)
(D) Infinite Beauty	PWSR004.8GREY	¾ yd (34.29cm)



(A)



(B)



(C)



(D)

## Additional Requirements

- Firm fusible interfacing, such as Pellon SF-101 Shape Flex 1¾ yd (1.60m)
- Sewing machine
- Hand-sewing needle
- Basic sewing and pressing supplies
- Zipper foot

## Cutting

### Fabric A, cut:

- 1 rectangle, 4½" x 13" (11.43cm x 33.02cm), (top front)
- 2 strips, 16" x 6" (40.64cm x 15.24cm), (side)
- 2 strips, 24" x 4" (60.96cm x 10.16cm), (strap)

### Fabric B, cut:

- 1 rectangle, 11" x 13" (27.94cm x 33.02cm), (front pocket)
- 1 rectangle, 16" x 13" (40.64cm x 33.02cm), (center back)

### Fabric C, cut:

- 2 rectangles, 16" x 23" (40.64cm x 58.42cm), (lining)

### Fabric D, cut:

- 2 rectangles, 12" x 13" (27.24cm x 33.02cm), (front pocket lining)

### From fusible interfacing, cut:

- 1 rectangle, 11" x 13" (27.94cm x 33.02cm), (front pocket)
- 1 rectangle, 16" x 13" (40.64cm x 33.02cm), (center back)
- 1 strip, 4½" x 13" (11.43cm x 33.02cm), (top front)
- 2 strips, 16" x 6" (40.64cm x 15.24cm), (side section)
- 2 strips, 24" x 4" (60.96cm x 10.16cm), (strap)



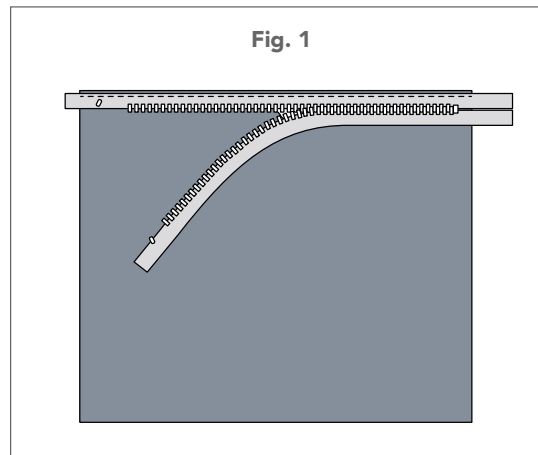
## Preparation

All seam allowances are ½" (1.27cm) and pieces are sewn right sides together.

1. Following the manufacturer's instructions, fuse interfacing to the corresponding fabric pieces.

## Making the Zippered Pocket

2. Open the zipper and center it face down on the 13" (33.02cm) front pocket upper edge, aligning the cut edge of the fabric and zipper tape long edge. Stitch using a zipper foot, sewing close to the teeth (Fig. 1).

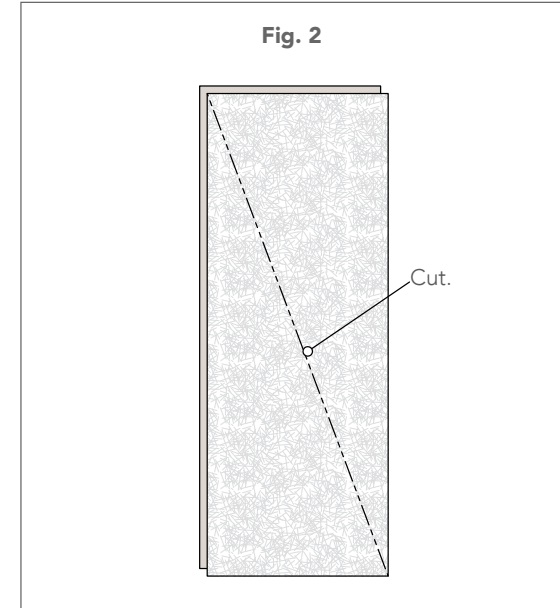


3. Place one pocket lining over the stitched zipper tape, matching the edges. Stitch over the first line of stitching. Press both layers away from the zipper.
4. Pin the upper front section to the remaining zipper edge aligning with the lower front. Stitch close to the zipper teeth.

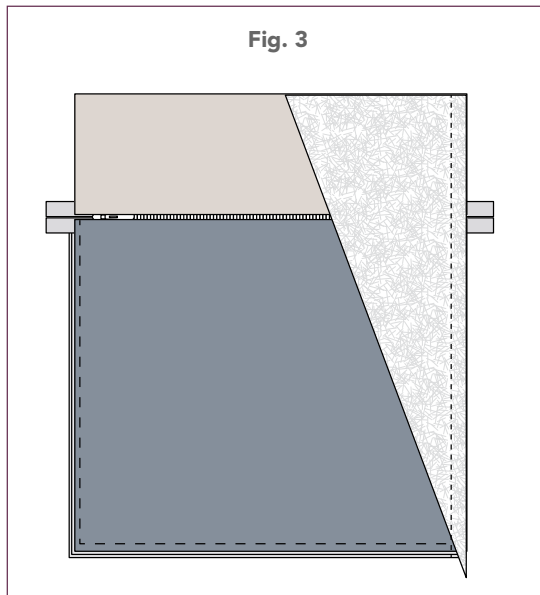
5. Repeat Step 3 with remaining pocket lining section, pressing the lining down away from the zipper. Baste the three lower pocket edges together.

## Assembling the Sides

6. To angle the sides, lay the two side rectangles right sides together. Draw a line from the upper left corner to the lower right corner. Cut along the line (Fig. 2). This yields two left and two right side sections for the tote front and back.

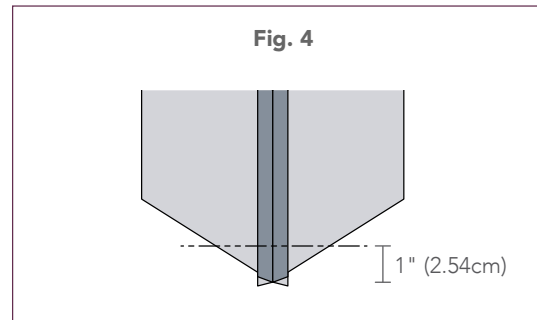


- Place the straight edge of a side section against the front pocket section edge. Stitch one bag side section to each side of the pocket with the wider portion at the upper edge (Fig. 3). Press the seams toward the side. Repeat to attach the side sections to the 16" (40.64cm) edges of the center back section.



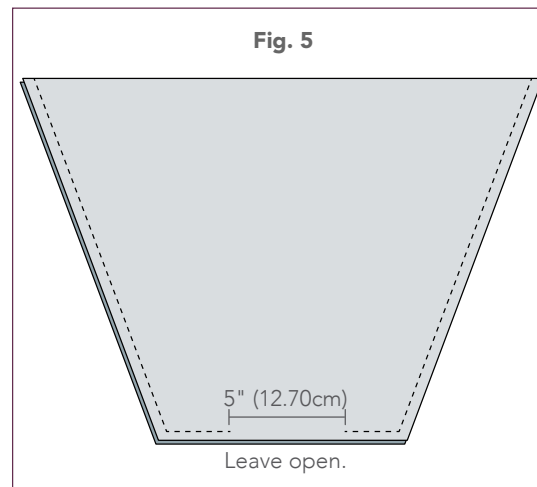
## Assembling the Bag

- With right sides together, stitch the bag front to the bag back at the sides and lower edge. Press the seams open.
- To box the bottom, fold the side seam exactly on top of the bottom seam. Draw a line perpendicular to the seams, 1" (2.54cm) from the point. Stitch across the line at each bag corner (Fig. 4). Trim close to the seam.



## Assembling the Lining

- Measure in 6" (15.24cm) from each lining side lower edge and make a mark. Draw a line from the upper corner to the mark and trim off the fabric to angle the edges.
- Place the lining rectangles together and stitch the sides and lower edges, leaving a 5" (12.70) opening in the lower edge for turning (Fig. 5).



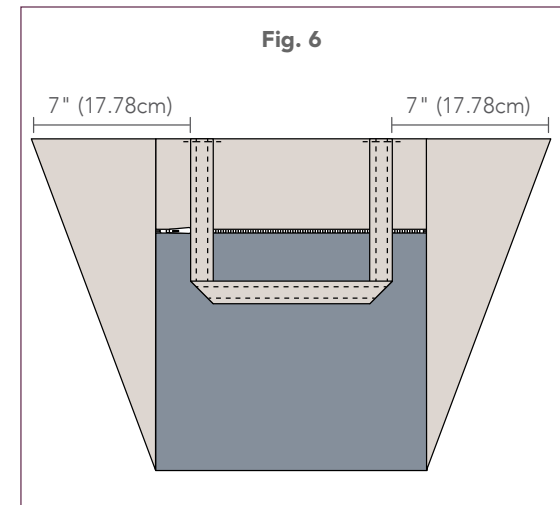
- Repeat Step 9 to box the lower lining corners.

## Assembling the Straps

- Press each strap in half lengthwise, open the strip and fold each long cut edge to the center fold line; press again. Topstitch each long edge.

## Finishing the Bag

- Matching the cut edges, place the straps on the right side of the bag front and back 7" (17.78cm) from each side seam (Fig. 6). Baste in place.



- Slip the lining over the bag, matching the upper edges and sandwiching the handles between the layers. Sew around the upper edge.
- Turn the bag right side out through the lining opening. Press the upper edge and topstitch.
- Hand-stitch the lining opening closed.