



INSTRUCTIONS

Kumihimo disk:

You can make your own disk out of cardboard. Print template on page 2 (disk measures 3" [7.5 cm] between sides). Trace template onto stiff cardboard. Cut out the disk using a craft knife or scissors (this will be good for an adult to help). Draw arrows indicating clockwise direction.

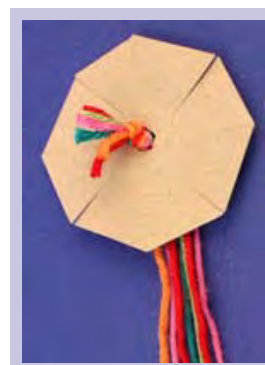


Cut 7 lengths of yarn approximately 24" [61 cm] long. Knot all strings together.



Set-up strings:

Put the starting knot in the middle hole in the disk on wrong side. Put one string each in slots 1, 2, 3, 4, 5, 6 and 7. Leave slot 8 without string.



SIZE

Approximately 9" [23 cm] long

MATERIALS

Bernat® Satin™ (100 g/3.5 oz; 182 m/200 yds)

	Foliage (04246)	1 ball
	Tangerine (04700)	1 ball
	Emerald (04200)	1 ball
	Crimson (04705)	1 ball
	Maitai (04732)	1 ball

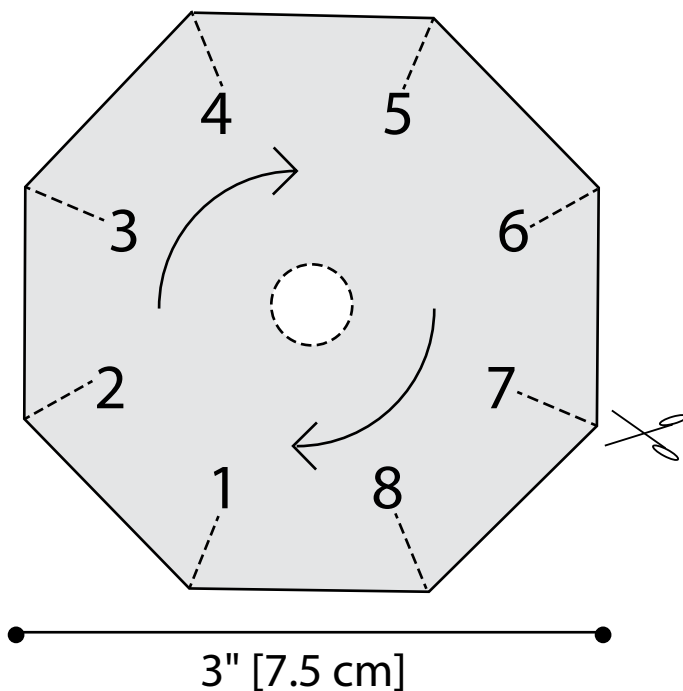
Note: Use between 2-7 colors of Bernat® Satin™ of your own choice. Cardboard, metal ruler, craft knife or scissors and pencil.

Tying the bracelet:

To tie the bracelet, there are only three steps you have to remember. Start with string in slot 5. Following arrow direction, move the string from slot 5 to slot 8 clockwise, skipping slots 6 and 7.



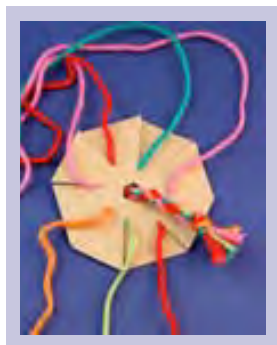
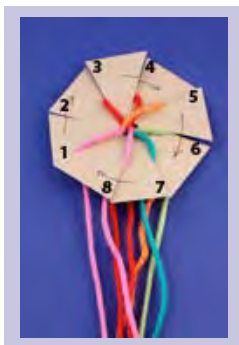
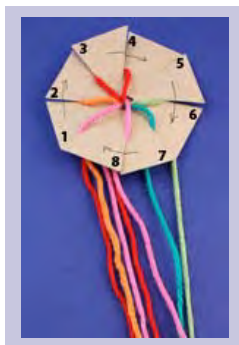
KUMIHIMO DISK TEMPLATE



Step 1: Count counterclockwise 3rd string from empty slot.

Step 2: Pick up this string (in slot 2).

Step 3: Move clockwise to empty slot, skipping 2 strings.



Repeat steps these Steps 1, 2 and 3 and you will see braided cord coming out at other side of disk. Make cord approximately 9" [23 cm] long. Release all strings from all slots. Pull from disk hole and knot all strings together.