



KNIT | SKILL LEVEL: EASY

ABBREVIATIONS

Beg = Beginning
Cont = Continue(ity)
Dec = Decreas(e)(ing)
K = Knit
Kfb = Increase
 1 stitch by knitting
 into front and back of
 next stitch
K2tog = Knit next
 2 stitches together
PM = Place marker

P = Purl
P2tog = Purl next
 2 stitches together
Rem = Remaining
Rep = Repeat
Rnd(s) = Round(s)
RS = Right side
Sl1 = Slip next stitch
 knitwise
Sl1P = Slip next
 stitch purlwise

Sm = Slip marker
Ssk = Slip next
 2 stitches knitwise
 one at a time. Pass
 them back onto left-
 hand needle, then
 knit through back
 loops together
St(s) = Stitch(es)
WS = Wrong side
Yo = Yarn over

SIZES

To fit chest measurement

6 mos **17" [43 cm]**
12 mos **18" [45.5 cm]**
18 mos **19" [48.5 cm]**
24 mos **21" [53.5 cm]**

Finished chest

6 mos **20" [51 cm]**
12 mos **22" [56 cm]**
18 mos **23" [58.5 cm]**
24 mos **25" [63.5 cm]**

GAUGE

20 sts and 26 rows = 4" [10 cm] with
 larger needles in stocking st.

INSTRUCTIONS

The instructions are written for size
6 mos. If changes are necessary for
 larger size the instructions will be
 written **6 (12-18-24)** mos. Numbers
 for each size are shown in the same
 color throughout the pattern. When
 only one number is given in black, it
 applies to all sizes.

MATERIALS

Bernat® Forever Fleece Finest™ (9.9 oz/280 g; 888 yds/812 m)

Sizes	6	12	18	24	mos
Aqua Heather (18001)	1	1	1	1	ball yds/m
	385/350	480/440	560/510	625/570	

Sizes U.S. 6 (4 mm) and U.S. 7 (4.5 mm) Susan Bates® circular knitting needles 24" [60 cm] long. Set of 4 sizes U.S. 6 (4 mm) and U.S. 7 (4.5 mm) Susan Bates® double-pointed knitting needles **or size needed to obtain gauge**. Susan Bates® yarn needle. Susan Bates® stitch markers. Susan Bates stitch holder. 5 buttons – 5/8" [15 mm].

Notes:

- Jacket is worked in one piece from neck edge downwards. Garment is divided at underarms and Body is then worked back and forth in rows to lower edge.
- Sleeve sts are placed on double-pointed needles and worked in rnds downward to cuff.
- Sts are picked up around neck edge for Hood and then worked back and forth in rows from neck upwards.
- Circular needle is used to accommodate sts and for ease when working along curves. Work back and forth in rows on circular needle as if working with straight needles.

BODY

Beg at neck edge with larger circular needle, cast on 36 sts.

1st row: (RS). (Kfb) twice for Right Front. PM. Kfb. K6 for Right Sleeve. Kfb. PM. Kfb. K14 for Back. Kfb. PM. Kfb. K6 for Left Sleeve. Kfb. PM. (Kfb) twice for Left Front. 46 sts.

2nd row: Purl, slipping markers.

3rd row: *Kfb. Knit to 1 st before next marker. Kfb. Sm. Rep from * 3 times more. Kfb. Knit to last 2 sts. Kfb. K1. 56 sts.

4th row: As 2nd row.

Neck shaping: 1st row: (RS). Cast on 4 sts. Knit to 1 st before next marker. Kfb. Sm. *Kfb. Knit to 1 st before next marker. Kfb. Sm. Rep from * twice more. Kfb. Knit to end of row. 68 sts.

2nd row: Cast on 4 sts. Purl to end of row. 72 sts.

Proceed as follows:

1st row: (RS). Knit to 1 st before next marker. Kfb. Sm. *Kfb. Knit to 1 st before next marker. Kfb. Sm. Rep from * twice more. Kfb. Knit to end of row. 80 sts.

2nd row: Purl, slipping markers. Rep last 2 rows **11 (13-15-17)** times more. **168 (184-200-216)** sts.

Divide for Sleeves and Body:

1st row: (RS). K**23 (25-27-29)** for Left Front. Slip next **38 (42-46-50)** sts onto st holder for Left Sleeve. Cast on **4 (5-4-5)** sts. K**46 (50-54-58)** for Back. Slip next **38 (42-46-50)** sts onto a st holder for Right Sleeve. Cast on **4 (5-4-5)** sts. Knit to end of row.

100 (110-116-126) sts for Body.

Work Body in stocking st until work from dividing row measures **6 (6½-7-7½)" [15 (16.5-18-19) cm]**, ending on a knit row.

Change to smaller circular needle.

1st row: (WS). *K**7 (8-9-10)**. K2tog. Rep from * 9 times more. Knit to end of row. **90 (100-106-116)** sts.

Knit 8 more rows (garter st).

Cast off knitwise (WS).

SLEEVES

With larger double-pointed needles, beg at center of underarm cast-on sts, pick up and knit 2 sts. K**38 (42-46-50)** from Sleeve st holder. Pick up and knit 2 sts. Divide sts onto 3 needles. Join in rnd. PM for beg of rnd, having marker at center of underarm sts. **42 (47-50-55)** sts.

Knit **12 (10-10-10)** rnds.

Next rnd: K1. ssk. Knit to last 3 sts. K2tog. K1. **40 (45-48-53)** sts.

Rep last **13 (11-11-11)** rnds **2 (3-3-4)** times more. **36 (39-40-45)** sts.

Cont even in rnds until Sleeve from dividing rnd measures **6½ (7-8-9)" [16.5 (18-20.5-23) cm]**.

Change to smaller double-pointed needles.

1st rnd: *P**9 (10-11-12)**. P2tog. Rep from * twice more. Purl to end of rnd. **33 (36-37-42)** sts.

2nd rnd: Knit.

3rd rnd: Purl.

Rep last 2 rnds 3 times more. Cast off knitwise.

HOOD

With RS facing and pair of larger double-pointed needles, working towards front edge, pick up and knit 4 sts across cast-on sts of Left Front neck edge.

1st row: (WS). Purl.

2nd row: Pick up and knit 1 st at side of neck edge (to right of just picked up sts). Knit to end of row. 5 sts.

Rep last 2 rows twice more, then 2nd row once. 7 sts. Break yarn. Leave sts on a spare needle.

With RS facing and larger circular needle, pick up and knit 4 sts across cast-on sts of Right Front neck edge.

1st row: (WS). Purl.

3rd row: Knit to end of row. Pick up and knit 1 st at side of neck edge. 5 sts.

Rep last 2 rows twice more, then 2nd row once. 7 sts.

Joining row: (RS). K7 across right side of Hood. Pick up and knit 36 sts evenly across cast-on neck edge. K7 from left side spare needle. 50 sts.

1st row: (WS). Purl.

2nd row: K2 (2-2-0). [Kfb. K4 (2-2-1)] 9 (15-15-24) times. Kfb. Knit to end of row. 60 (66-66-75) sts.

Proceed in stocking st until work from pick up row measures 8" [20.5 cm], ending on a purl row.

Shape top: 1st row: K40 (44-44-50). Turn.

2nd row: Sl1P. P18 (20-20-23). P2tog. Turn.

3rd row: Sl1. K18 (20-20-23). ssk. Turn.

Rep last 2 rows until 20 (22-22-25) sts rem.

Leave all sts on a st holder.

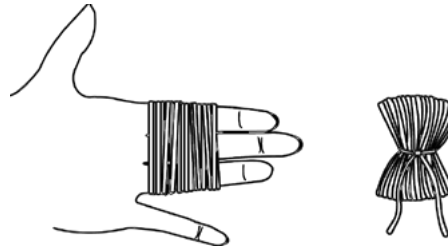
Front and Hood edging: With RS facing and smaller circular needle, pick up and knit 50 (56-60-66) sts evenly up right side front edge to beg of neck shaping. Pick up and knit 36 sts evenly up side edge of Hood. K20 (22-22-25) from st holder across top of Hood, dec 5 sts evenly across. Pick up and knit 44 sts evenly down side edge of Hood. Pick up and knit 50 (56-60-66) sts down left side front edge to bottom edge of Jacket. 187 (201-209-224) sts. Knit 3 rows (garter st).

Note: Buttonholes are worked on both sides. Buttons will be sewn over buttonholes to correspond to Boy or Girl versions.

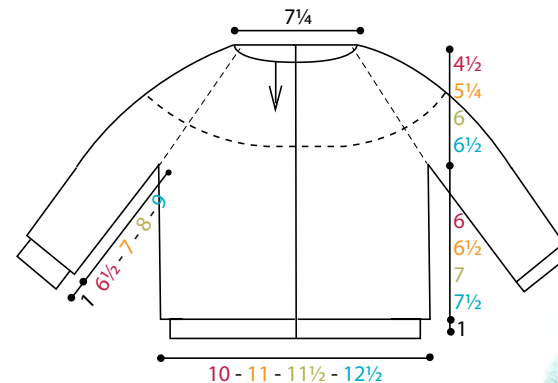
Next row: (Buttonhole row). K6 (8-8-10). [yo. K2tog. K8 (9-10-11)] 4 times. yo. K2tog. Knit to last 47 (53-57-63) sts. [yo. K2tog. K8 (9-10-11)] 4 times. yo. K2tog. K5 (7-7-9).

Knit 4 rows.
Cast off knitwise (WS).

Pompom: (Make 2). Wind yarn around 3 fingers 100 times. Tie tightly in center and leave a long end for attaching to Hood. Cut loops at both ends and trim to smooth round shape. Sew securely to Hood at each top decreasing line as shown in photo.



FRONT



BACK