



KNIT | SKILL LEVEL: EASY

ABBREVIATIONS

Alt = Alternate
Approx = Approximately
Beg = Begin(ning)
Inc = Increasing
K = Knit
K2tog = Knit next 2 stitches together
K2togtbl = Knit next 2 stitches together through back of loops

M1P = Make 1 stitch by picking up horizontal loop lying before next stitch and purling into back of loop
P = Purl
P2tog = Purl next 2 stitches together

P2togtbl = Purl next 2 stitches together through back of loops
PM = Place marker
Rem = Remain(ing)
Rep = Repeat
RS = Right side
St(s) = Stitch(es)
WS = Wrong side

SIZES

To fit chest measurement

XS/XL 28-46" [71-117 cm]

2/5XL 48-62" [122-157.5 cm]

Finished chest measurement

XS/XL 64" [162.5 cm]

2/5XL 84" [213.5 cm]

GAUGE

8 sts and 13 rows = 4" [10 cm] in stocking st.

INSTRUCTIONS

The instructions are written for **XS/XL**. If changes are necessary for larger size the instruction will be written **XS/XL (2/5XL)**. Numbers for each size are shown in the same color throughout the pattern. When only one number is given in black, it applies to both sizes.

Notes:

- Hoodie is worked in 5 pieces and seamed together in Finishing.
- Hood is knit onto live sts in Finishing.

MATERIALS

Bernat® Blanket Stripes™ (10.5 oz/300 g; 220 yds/201 m)

Sizes	XS/XL	2/5XL	
Acid Aqua (76049)	5	7	balls
	998/913	1385/1266	yds/m

Size U.S. 11 (8 mm) Susan Bates® circular knitting needle 36" [91.5 cm] long **or size needed to obtain gauge**. 3 Susan Bates® stitch holders. 4 Susan Bates® stitch markers. Susan Bates® yarn needle.

BACK

Cast on **64 (84) sts.

1st row: (RS). *K1. P1. Rep from * to end of row.

Rep last row of (K1. P1) ribbing 5 times more.**

Beg on a knit row, proceed in stocking st until work from beg measures **35 (38)" [89 (96.5) cm]**, ending on a purl row.

Shape shoulders: Next row: (RS). Cast off **22 (30)** sts. Knit next **20 (24)** sts (including st rem on needle after cast-off) and place onto st holder for Hood. Cast off last **22 (30)** sts.

FRONT

Work from ** to ** as given for Back.

Beg on a knit row, proceed in stocking st until work from beg measures **27 (28½)" [68.5 (72.5) cm]**, ending on a purl row.

Next row: (RS). K**28 (38)**. P**8 (8)**. K**28 (38)**.

Next row: P**28 (38)**. K**8 (8)**. P**28 (38)**. Rep last 2 rows 5 times more.

Shape Left Front Neck: 1st row: (RS). K**28 (38)**. P4 (Hood edge).

Turn. Leave rem **32 (42)** sts on a spare needle.

2nd row: (WS). K4. P**28 (38)**.

3rd row: K**28 (38)**. P4.

Rep last 2 rows until work from beg measures **35 (38)" [89 (96.5) cm]**, ending on a WS row.

Shape shoulder: Next row: (RS). Cast off first **22 (30)** sts. Knit to last 4 sts. P4. Place last **10 (12)** sts just worked onto st holder for Hood.

Shape Right Front Neck: 1st row: (RS). Join yarn to rem sts on spare needle. P4 (Hood edge). K**28 (38)**.

2nd row: (WS). P**28 (38)**. K4.

3rd row: P4. K**28 (38)**.

Rep last 2 rows until work from beg measures **35 (38)" [89 (96.5) cm]**, ending on a WS row.

Shape shoulder: Next row: (RS). P4. K**6 (8)**. Place last **10 (12)** sts just worked onto st holder for Hood. Cast off rem **22 (30)** sts.

SLEEVES

Cast on **20 (24)** sts.

1st row: (RS). *K1. P1. Rep from * to end of row.

Rep last row of (K1. P1) ribbing 5 times more.

Beg on a knit row, proceed in stocking st, inc 1 st each end of first row and every following RS (knit) row until there are **56 (64)** sts.

Purl 1 row. Cast off.

FINISHING

Sew shoulder seams. PM **14 (16)" [35.5 (40.5) cm]** down from shoulders on side edges. Sew in sleeves between markers. Sew side and sleeve seams.

HOOD

1st row: (RS). Beg at right front neck, [P4. K**6 (8)**] from right front neck st holder. K**20 (24)** from back st holder. [K**6 (8)**. P4] from left front neck st holder. PM at end of row. **40 (48)** sts.

2nd row: K4. P**2 (3)**. M1P. *P**4 (5)**. M1P. Rep from * 6 times more. P2. K4. **48 (56)** sts.

3rd row: P4. Knit to last 4 sts. P4.

4th row: K4. Purl to last 4 sts. K4.

Rep last 2 rows until Hood from marker measures **14 (17)" [35.5 (43) cm]**, ending on a WS row.

Next row: P4. K**18 (22)**. K2togtbl. K2tog. K**18 (22)**. P4. **46 (54)** sts.

Next row: K4. Purl to last 4 sts. K4.

Next row: P4. K**17 (21)**. K2togtbl. K2tog. K**17 (21)**. P4. **44 (52)** sts.

Next row: K4. Purl to last 4 sts. K4. Cast off.

Fold Hood in half and sew top seam.

POCKET

Cast on **36 (40)** sts.

Work 10 rows in stocking st.

11th row: (RS). P4. K**28 (32)**. P4.

Size XS/XL only: 12th row: K4. P2tog. Purl to last 6 sts. P2togtbl. K4. 34 sts.

13th row: P4. Knit to last 4 sts. P4.

14th row: K4. Purl to last 4 sts. K4.

15th row: P4. K2togtbl. Knit to last 6 sts. K2tog. P4. 32 sts.

16th row: As 14th row.

17th to 19th rows: As 13th to 15th rows. 30 sts.

20th row: As 14th row.

21st row: As 13th row.

22nd to 24th rows: As 12th to 14th rows. 28 sts.

25th row: As 13th row.

26th to 32nd rows: Rep 12th to 18th rows once. 24 sts.
Cast off.

Size 2/5XL only: 12th row: K4. P32. K4.

13th row: P4. K32. P4.

14th row: K4. P2tog. Purl to last 6 sts. P2togtbl. K4. 38 sts.

15th row: P4. Knit to last 4 sts. P4.

16th row: K4. Purl to last 4 sts. K4.

17th row: P4. K2togtbl. Knit to last 6 sts. K2tog. P4. 36 sts.

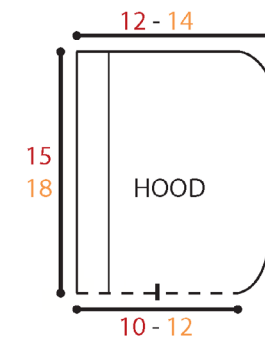
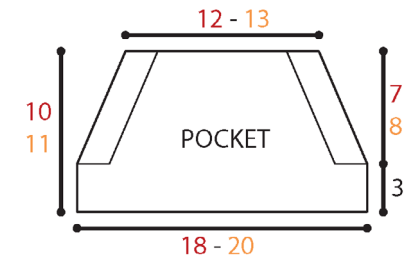
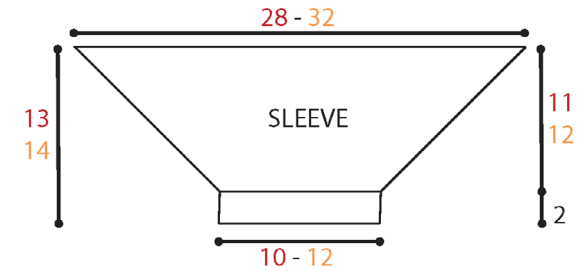
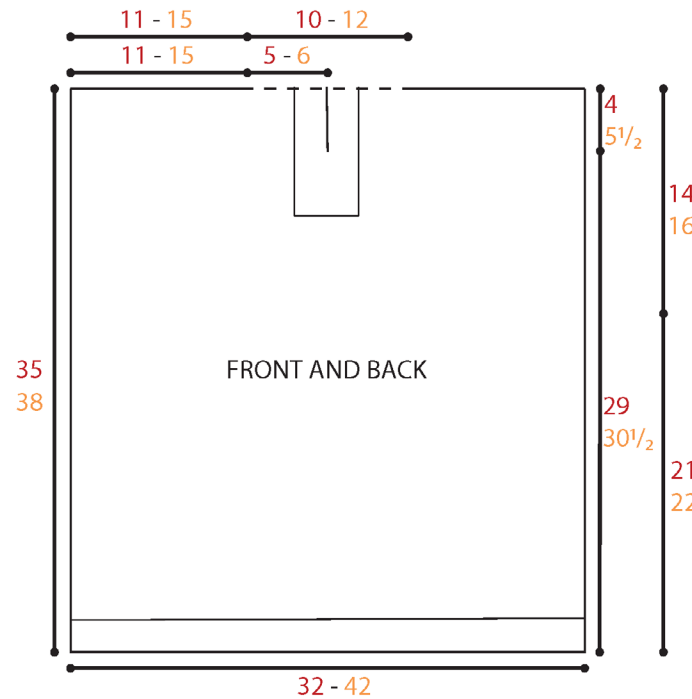
18th row: As 16th row.

19th row: As 15th row.

20th to 34th rows: Rep 14th to 19th rows twice more, then rep 14th to 16th rows once. 26 sts.

35th and 36th rows: As 15th and 16th rows.
Cast off.

Both Sizes: Sew Pocket in position centered across Front and 11" [28 cm] above bottom edge (see diagrams on page 4).

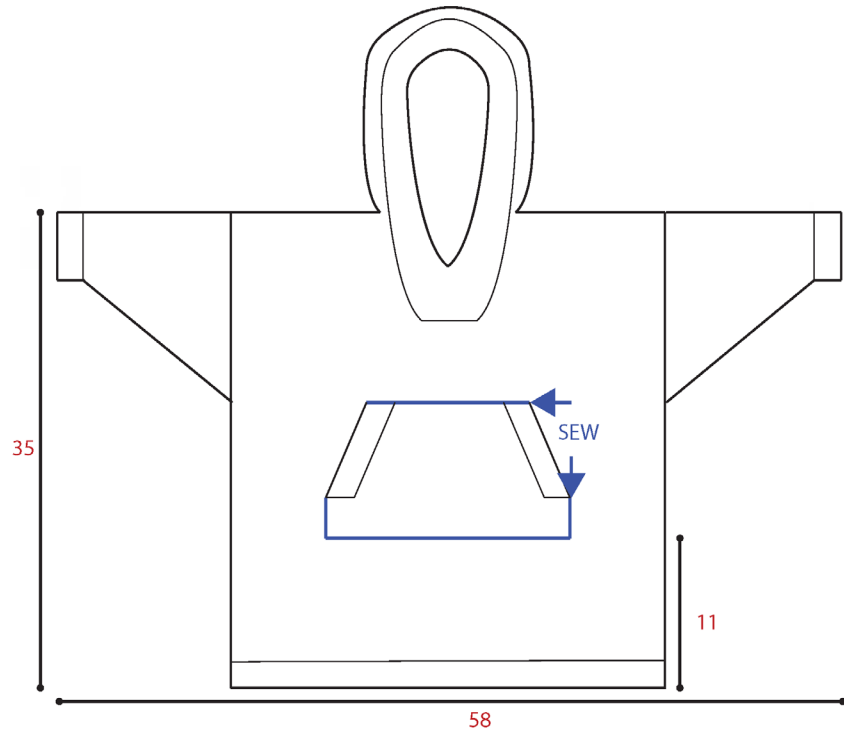


FRONT



BACK

XS/XL



2/5XL

