



CROCHET | SKILL LEVEL: INTERMEDIATE

ABBREVIATIONS

- | | | |
|-----------------------------|----------------------------|-----------------------------|
| Approx = | Rep = Repeat | St(s) = Stitch(es) |
| Approximately | RS = Right side | WS = Wrong side |
| Beg = Beginning | Sc = Single crochet | Yoh = Yarn over hook |
| Ch = Chain(s) | Sc2tog = (Draw up | |
| Cont = Continue(ity) | a loop in next stitch) | |
| Dec = Decreasing | twice. Yoh and draw | |
| Inc = Increasing | through all loops on | |
| PM = Place marker. | hook. | |
| Rem = Remain(ing) | Sp(s) = Space(s) | |

SIZES

To fit chest measurement:

- 6/12 mos** 18" [45.5 cm]
18/24 mos 20" [51cm]

Finished measurements:

- 6/12 mos** 17 x 11" [43 x 28 cm]
18/24 mos 19 x 13" [48 x 33 cm]

INSTRUCTIONS

The instructions are written for smaller size. If changes are necessary for larger size the instructions will be written thus (). Numbers for each size are shown in the same color throughout the pattern. When only one number is given in black, it applies to all sizes.

GAUGE

12 sc and 13 rows = 4" [10 cm].

MATERIALS

Bernat® Forever Fleece Finer™ (9.9 oz/280 g; 385 yds/352 m)

Sizes	6/12	18/24	
Main Color MC Rain Cloud (76012)	1	1	ball
Contrast A Green Meadow (76035)	1	1	ball

Size U.S. J/10 (6 mm) crochet hook **or size needed to obtain gauge.**
 Stitch markers. Yarn needle.

Note: When working from chart, wind small balls of the colors to be used, one for each separate area of color in the design. Start new colors at appropriate points. To change colors, work to last 2 loops on hook and draw new color through last 2 loops, then proceed in new color.

FRONT

**With MC, ch 56 (64).

1st row: (RS). 1 sc in 2nd ch from hook. 1 sc in each ch to end of chain. Turn. 55 (63).

2nd row: Ch 1. 1 sc in each sc to end of row. Turn.

Rep last row 2 (8) times more.**

See Chart I on page 4.

Work Chart I, reading **RS** rows from **right to left** and **WS** rows from **left to right** until 28th row of Chart I is complete.

Keeping cont of Chart I, proceed as follows:

Shape left neck: 1st row: (RS). With A, ch 1. 1 sc in each of next 20 (25) sc. Sc2tog. Turn. Leave rem sts unworked. 21 (26) sts rem.

2nd row: Ch 1. Sc2tog. 1 sc in each sc to end of row. 20 (25) sts.

3rd row: Ch 1. 1 sc in each sc to last 2 sts. Sc2tog. Turn. 19 (24) sts.

4th to 6th rows: Ch 1. 1 sc in each st to end of row. Turn. Fasten off at end of last row.

Shape right neck: 1st row: (RS). Skip next 11 sc. Join MC with sl st to next sc. Ch 1. Sc2tog. 1 sc in each sc to end of row. Turn. 21 (26) sts rem.

2nd row: Ch 1. Sc2tog. 1 sc in each sc to end of row. Turn. 20 (25) sts.

3rd row: Ch 1. Sc2tog. 1 sc in each sc to end of row. Turn. 19 (24) sts.

4th to 6th rows: Ch 1. 1 sc in each st to end of row. Turn. Fasten off at end of last row.

BACK

Work from ** to ** as given for Front.

See Chart II on page 4.

Work Chart II to end of chart, reading **RS** rows from **right to left** and **WS** rows from **left to right**.

Keeping cont of Chart II, proceed as follows:

Shape left neck: 1st row: (RS). With A, ch 1. 1 sc in each of next 19 (24) sc. Sc2tog. Turn. Leave rem sts unworked. 20 (25) sts rem.

2nd row: Ch 1. 1 sc in each sc to end of row. 19 (24) sts. Fasten off.

Shape right neck: 1st row: (RS). Skip next 17 sc. Join A with sl st to next sc. Ch 1. Sc2tog. 1 sc in each sc to end of row. Turn. 19 (24) sts rem.

2nd row: Ch 1. 1 sc in each sc to end of row. Fasten off.

FINISHING

Pin all pieces to measurements. Cover with a damp cloth leaving cloth to dry. Sew shoulder seams. PM 5" [12.5] cm down at each side from shoulder seams.

Left Cuff: With RS facing, join MC at left front marker (work across MC - color side).

1st row: Ch 1. Work 32 sc across side edge to next marker. Turn.

2nd and 3rd rows: Ch 1. 1 sc in each sc to end of row. Turn. Fasten off at end of last row.

Right Cuff: With RS facing, join A at right front marker (work across A - color side). Work as given for Left Cuff.

Sew Cuff seams.

HOOD

With MC, ch 56 (64) loosely.

1st row: (RS). 1 sc in 2nd ch from hook and each ch to end of chain. Turn. 55 (63) sc.

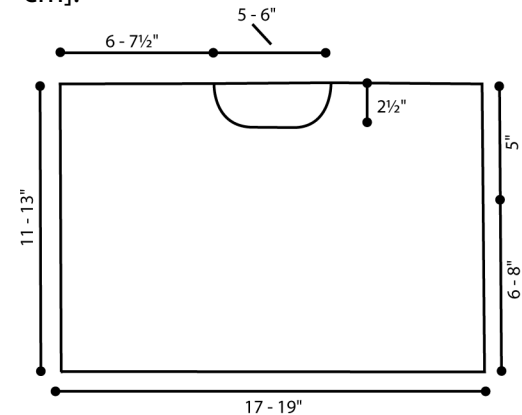
2nd row: Ch 1. 1 sc in each sc to end of row. Turn.

Rep last row until work from beg measures 3½" [9.5 cm], ending on a WS row.

Shape neck of Hood: Next row: (RS). Ch 1. 1 sc in first sc. Sc2tog. 1 sc in each sc to last 3 sts. Sc2tog. 1 sc in last sc. Turn. 53 (51) sts. Rep last row twice more. 49 (57) sts. PM at end of last row.

Next row: Ch 1. 1 sc in each sc to end of row. Turn.

Rep last row for 2½ (3)" [6.5 (9) cm].



Shape back of Hood: 1st row: (RS). Ch 1. 1 sc in each of next **22 (26)** sc. Sc2tog. 1 sc in next sc. PM on last sc just worked. Sc2tog. 1 sc in each sc to end of row. Turn. **47 (55)** sts.

2nd row: Ch 1. 1 sc in each sc to 2 sts before marked sc. Sc2tog. 1 sc in next sc. Sc2tog. 1 sc in each sc to end of row. Turn. **45 (53)** sts.

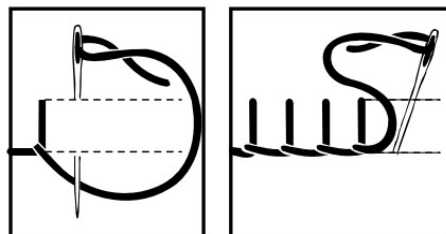
Rep last row **5 (6)** times more. **35 (41)** sts at end of last row. Fasten off.

Fold last row in half and sew for back sem.

Overlap fronts of Hood at foundation row $2\frac{1}{2}$ " [6 cm]. Sew hood around neck opening, matching Hood seam with center back neck edge.

With A, embroider Blanket sc around MC-colored body of Poncho, Cuff and Hood, spacing blanket stitch out approx $\frac{1}{2}$ " [1.25 cm] apart and keep length of each st approx $\frac{1}{2}$ " [1.25 cm]. In corners, work stitch on the diagonal.

With MC, embroider Blanket sc around A-colored body of Poncho and Cuff.



Following Charts as a guide, with MC, embroider claws using straight st.

Front Spikes

With A, ch **22 (28)**.

First Spike: 1st row: (RS). 1 sc in 2nd ch from hook. 1 sc in each of next 2 ch. **Turn.** Leave rem sts unworked.

****2nd row:** Ch 1. 1 sc in first sc. 2 sc in next sc. 1 sc in last sc. Turn. 4 sc.

3rd row: Ch 1. (Sc2tog) twice. Turn. **4th row:** Ch 1. Sc2tog. Fasten off.**

*****Next Spike:** With RS facing, skip next 3 ch. Join A with sl st to next ch.

1st row: (RS). 1 sc in same sp as sl st. 1 sc in each of next 2 ch. **Turn.** Leave rem sts unworked.

Work from ** to ** as given for First Spike.***

Rep from *** to *** to end of chain.

To join Front Spikes: Use picture as reference, align foundation of Spikes ch along edge of color-blocked design at Front. Keeping A at WS of work, pull loop from back to front through fabric of Poncho and first ch of Spikes, work sl st through both thicknesses to attach Spikes to Poncho. Fasten off.

Shoulder and Hood Spikes (make 2 pieces alike)

With A, ch **16 (22)**.

Work as given for Front Spikes

To join Shoulder Spikes: Use picture as reference, align foundation of Spikes ch along shoulder seam of color-blocked design. Keeping A at WS of work, pull loop from back to front through fabric of Poncho and first ch of Spikes, work sl st through both thicknesses to attach Spikes to Poncho. Fasten off.

To join Hood Spikes: Use picture as reference, align foundation of Spikes ch along center of Hood. With A, work as given above to attach Spikes to Hood. Fasten off.

Back Spikes

With A, ch **34 (40)**.

Work as given for Front Spikes.

To join Back Spikes: Use picture as reference, align foundation of Spikes ch along edge of color-blocked design at back. With A, work as given above to attach Spikes to Back. Fasten off.

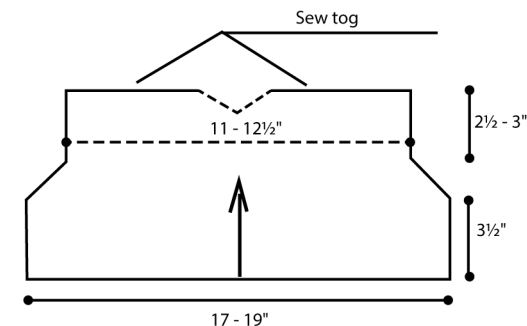
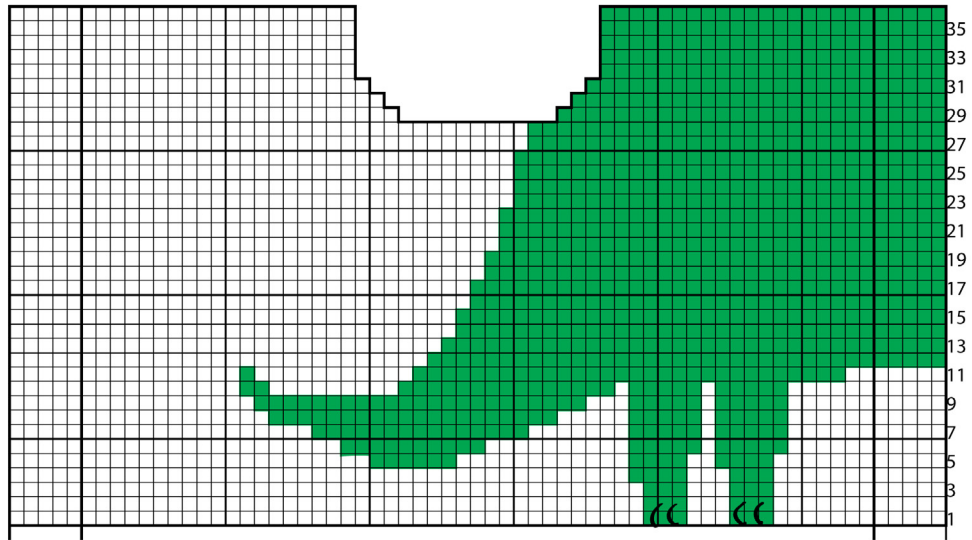


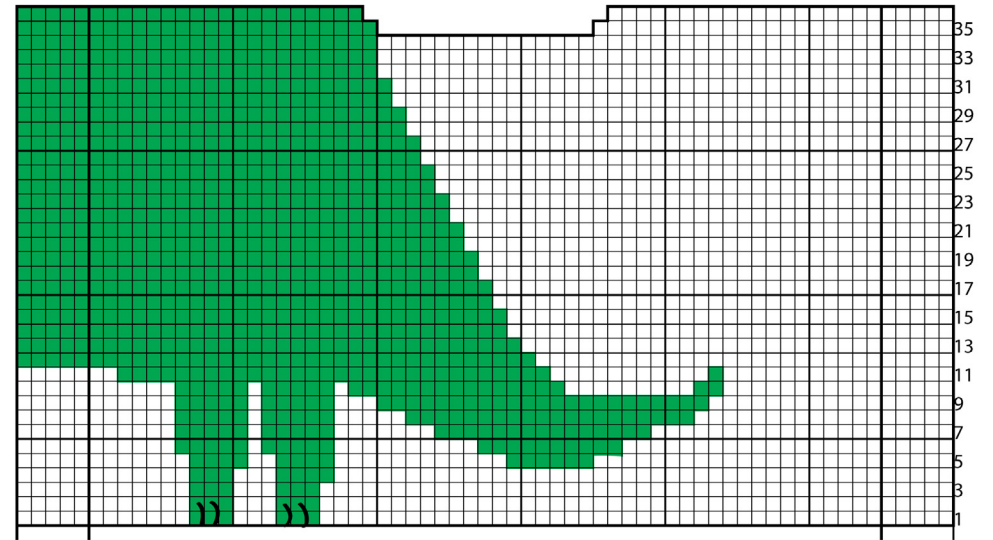
Chart I - Front



18/24 6/12

6/12 18/24
Start Here

Chart II - Back



6/12 18/24
Start Here

Key

- With MC, 1 sc
- With A, 1 sc
-)) With MC, straight st

