



CROCHET | SKILL LEVEL: **EASY**

ABBREVIATIONS

Approx = Approximately
Ch = Chain(s)
Dc = Double crochet
Rep = Repeat
Rnd(s) = Round(s)
RS = Right side

Sc = Single crochet
Sl st = Slip stitch
Sp(s) = Space(s)
St(s) = Stitch(es)
Tog = Together
Tr = Treble crochet

SIZES

To fit approx head circumference

Child 18½" [47 cm]

Adult 21" [53.5 cm]

GAUGE

13 dc and 8 rows = 4" [10 cm] with 2 strands of yarn held together.

INSTRUCTIONS

*The instructions are written for **Child** size. If changes are necessary for larger sizes the instructions will be written **Child (Adult)**. Numbers for each size are shown in the same color throughout the pattern. When only one number is given in black, it applies to all sizes.*

CROWN

With 2 strands of yarn, ch **64 (72)** (multiple of 8 ch). See diagram on page 2.

Join with sl st to first ch, taking care not to twist chain.

1st rnd: Ch 1. 1 sc in each ch around. Join with sl st to first ch. **64 (72)** sts.

2nd rnd: Ch 3 (counts as dc). 1 dc in each sc around. Join with sl st to top of ch 3.

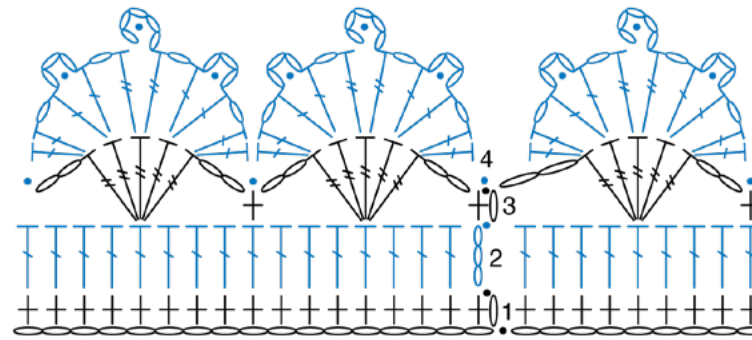
3rd rnd: Ch 1. 1 sc in same sp as last sl st. *Ch 2. Skip next 3 dc. 5 tr in next dc. Ch 2. Skip next 3 dc. 1 sc in next dc. Rep from * around omitting sc at end of last rep. Join with sl st to first sc.

MATERIALS

Sizes	Child	Adult	
Bernat® Softee Cotton™ (4.2 oz/120 g; 254 yds/232 m)			
Golden (69013) or	1	1	ball
Pool Green (69010)	100/91	130/118	yds/m

Size U.S. E/4 (3.5 mm) Susan Bates® Silvalume® crochet hook **or size needed to obtain gauge.** Susan Bates® steel yarn needle.

4th rnd: *2 dc in next tr. Ch 1. (1 dc. Ch 3. Sl st in first of 3 ch – small picot made. 1 dc) all in next tr. Ch 1. (1 tr. Ch 5. Sl st in first of 3 ch – large picot made. 1 tr) all in next tr. Ch 1. (1 dc. Small picot. 1 dc) all in next tr. Ch 1. 2 dc in next tr. Sl st in next sc. Rep from * around. Fasten off.



REDUCED SAMPLE OF PATTERN

- STITCH KEY**
- = chain (ch)
 - = slip stitch (sl st)
 - † = single crochet (sc)
 - ⌋ = double crochet (dc)
 - ⌋⌋ = treble crochet (tr)
 - ⌋⌋⌋ = small picot
 - ⌋⌋⌋⌋ = large picot



ADULT VERSION



CHILD VERSION