

Tiva 780

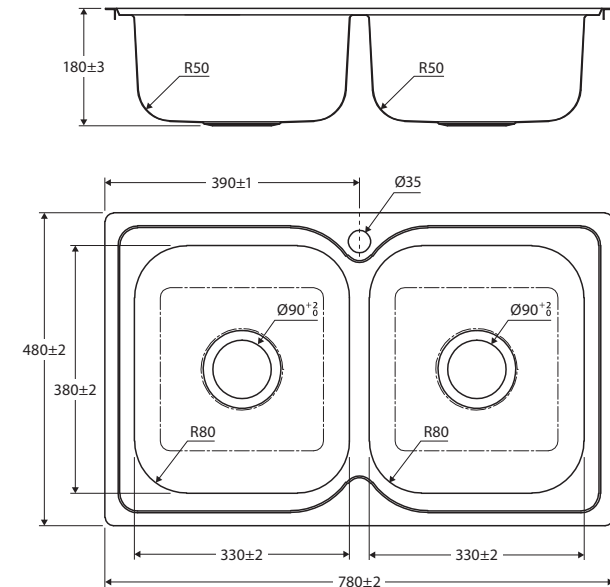
DOUBLE KITCHEN SINK

Features

- Double bowl design
- Made from polished 304 stainless steel
- Available with 1 tap hole or no tap hole
- Basket wastes included (2 x A3)
- Topmount installation
- Sealing tape and mounting clips included
- Capacity: 19L / 19L
- Overall size: 780 L x 480 W x 180 D mm

Optional Accessories

- Oak Chopping Board (A6)
- Drainer Basket (A11)
- Drainer Tray (A13)



Available in



1 Tap Hole
68108-1



No Tap Hole
68108

Cleaning & Care

- Dry off any water droplets after use with a clean dry cloth.
- Once a week use a detergent mixed with a small amount of ammonia and rub gently with a soft cloth. Rinse thoroughly with cold water after cleaning, then dry with a clean cloth.
- Do not use steel wool, abrasive cleansers or cleaning pads to clean your sink.
- Do not use chemical "silver cleaners", bleaches, or detergents containing chlorine or any of its derivatives.

We aim to ensure that specifications are correct at the time of publication. All measurements are shown in millimetres. Always use measurements of actual product received for final specification as the technical drawing may contain differences. Due to printing limitations, physical colour may vary from the image shown. Fienza reserves the right to make modifications without prior notice.