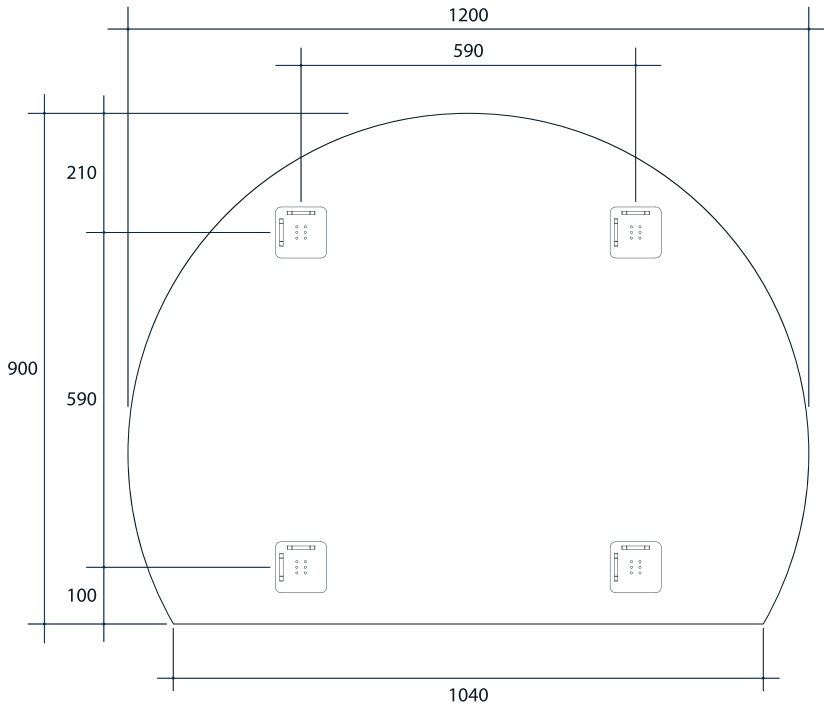


# Hamilton D-Shaped Polished Edge Mirror



Note: All dimensions are in millimetres (mm)



Stock Code	Size (mm)	Shape	Edge
HD1290HND	900 x 1200 $\varnothing$ x 14	D-Shaped	Polished Edge

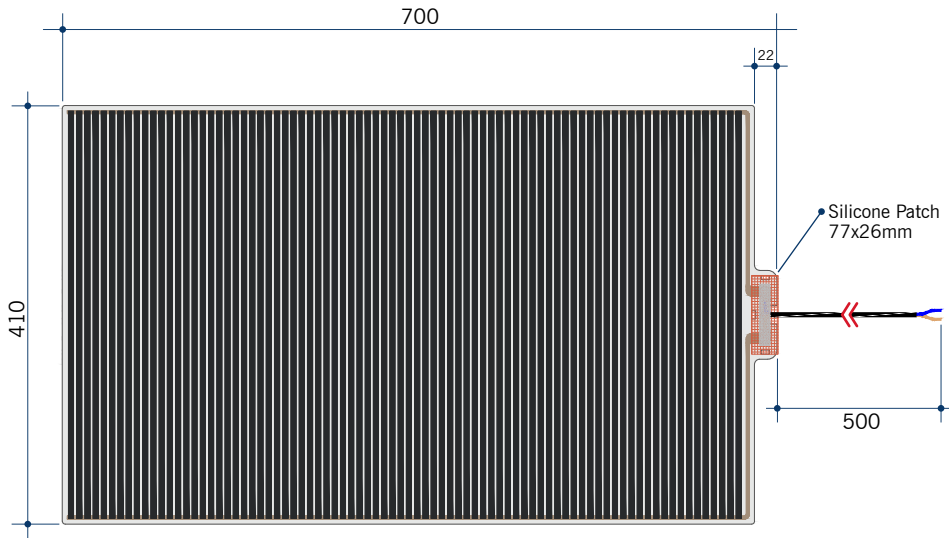


**Please note:** Bracket location may vary +/- 5mm. do not pre-drill holes for mounts before confirming exact locations on your mirror. Do not use or measure from drawings.

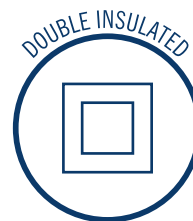
Mirrors will need to be installed in accordance with the Installation Guide. Ablaze does not take responsibility for incorrect installation of these mirrors.

# Thermomirror Mirror Demister

Ultra-thin Demister Pad for use on Bathroom Mirrors



Stock Code	Size (mm)	Heat Output (W)	Voltage - Frequency
TM4170	410 x 700	60	220 - 240V 50Hz



Thermomirror demisters must be installed by a qualified electrician.  
The demister cannot be cut, pierced or modified in anyway.