

# MZ0904 SHOWER RAIL SET



# meir®

## FEATURES

- Refer to the Meir website for warranty terms & conditions, and available finishes
- Flow rate 9 L p/m at 3 bar pressure.
- European components and cartridge
- Solid brass construction
- 3-function hand shower
- Box Weight 5.5 kg
- 1/2" threaded adapter included for non-AU regions only

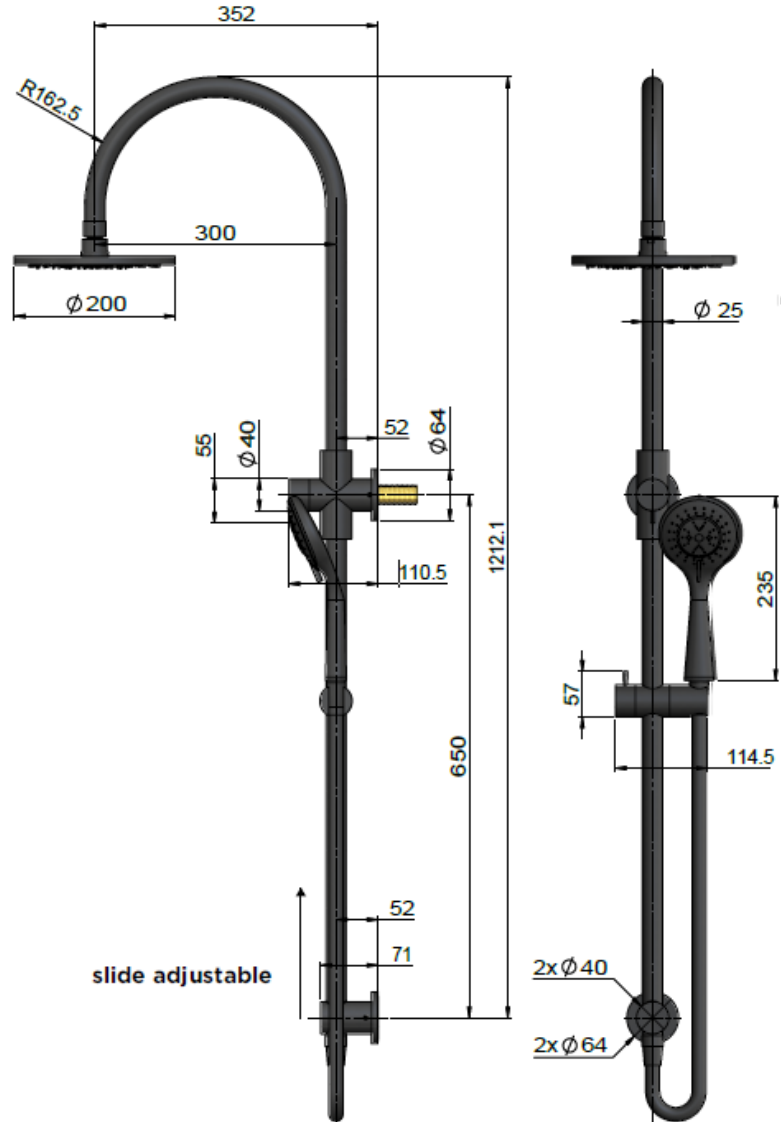
## CARE

- Do not install tapware using any form of acetone silicones.
- Do not apply physical items (such as tools) directly to product.
- Never use house-hold or commercial detergents, citrus based cleaners, or abrasive cleaners.
- Clean using a mild washing soap solution rinsed, and dry with a soft cloth.
- Check for any product defects before installation.
- Refer to the installation manual for correct installation.

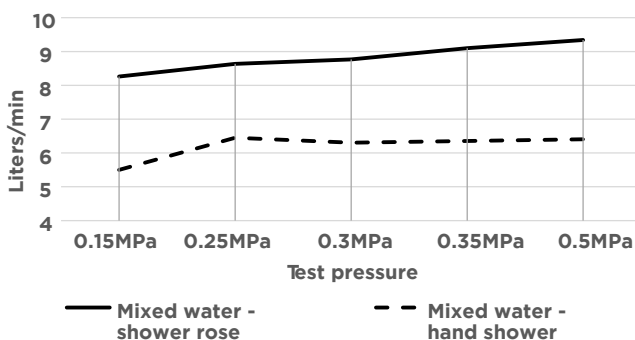
## CREDENTIALS

- Watermark AS/NZS3718WMK25965
- 3-star WELS rated
- 9 litres p/minute
- WELS registration No: S18063

## SPECIFICATIONS

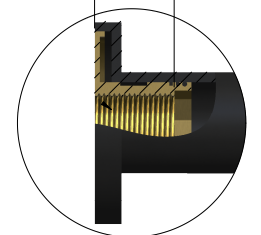


## FLOW RATE GRAPH



## TOLERANCES

MAX  
25mm



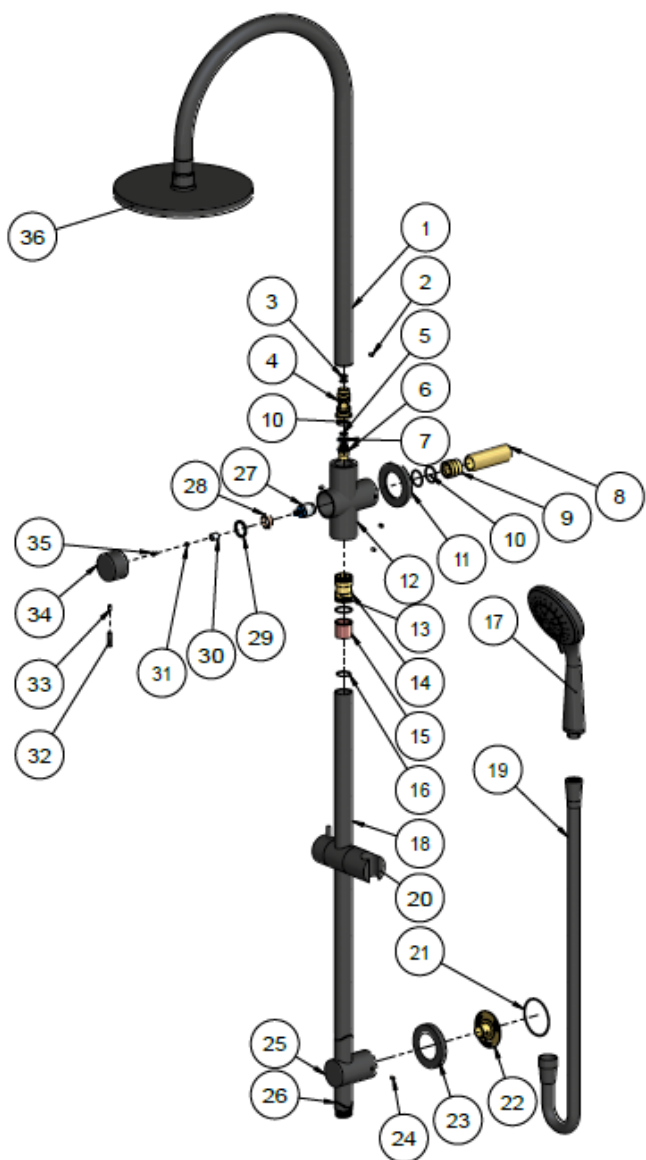
DETAIL A

# MZ0904

## SHOWER RAIL SET

meir®

### EXPLODED VIEW



No.	Part Name	Qty
1	Spout	1
2	Grub Screw	1
3	O-ring	2
4	Connector	1
5	O-ring	2
6	Cover	1
7	O-ring	2
8	Thread Adapter	1
9	Water Connector	1
10	O-ring	4
11	Base Plate	1
12	Body	1
13	O-ring	2
14	Connector	1
15	Check Valve	1
16	Circlip	1
17	Hand Shower	1
18	Riser Pipe	1
19	Shower Hose	1
20	Sliding Bracket	1
21	O-ring	1
22	Mounting Bracket	1
23	Decorative Cover	1
24	Screw	5
25	Fixed Base	1
26	Protective Rubber Ring	2
27	Diverter Cartridge	1
28	Nut	1
29	Wearing Ring	1
30	Connector	1
31	Washer	1
32	Pin Lever	1
33	Grub Screw	1
34	Diverter Handle	1
35	Screw	1
36	Shower Head	1

