

# MK10N-SS316

## OUTDOOR KITCHEN MIXER



meir®

tolerance

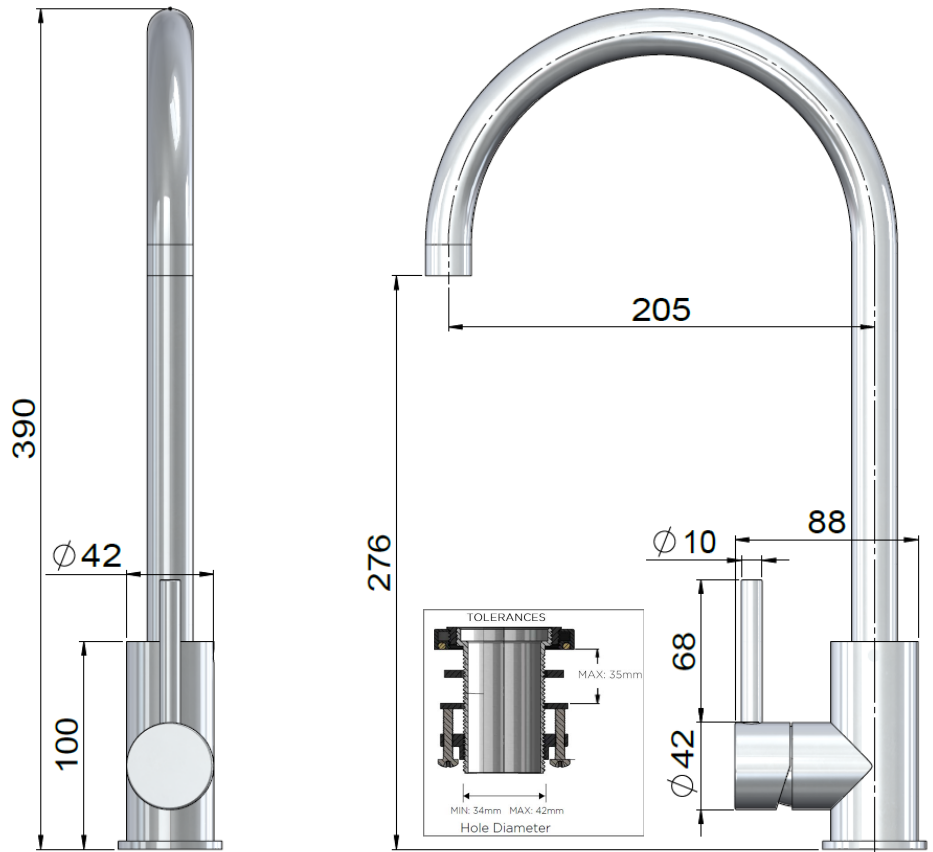
### FEATURES

- Refer to the Meir website for warranty terms & conditions.
- Flow rate at 3 bar is 5 l/min
- European components and cartridge
- 316 Stainless Steel construction

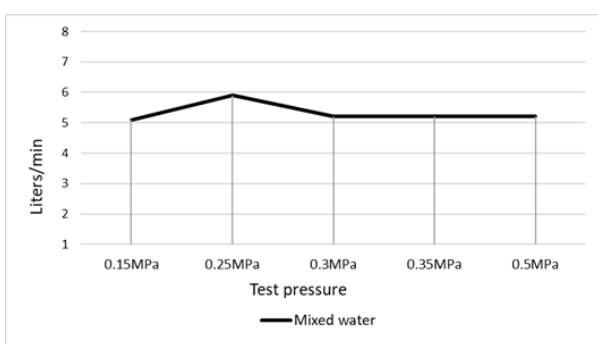
### CARE

- Do not install tapware using any form of acetone silicones.
- Do not apply physical items (such as tools) directly to product.
- Never use house-hold or commercial detergents, citrus based cleaners, or abrasive cleaners.
- Clean using a mild washing soap solution rinsed, and dry with a soft cloth.
- Check for any product defects before installation.
- Refer to the installation manual for correct installation.

### SPECIFICATIONS



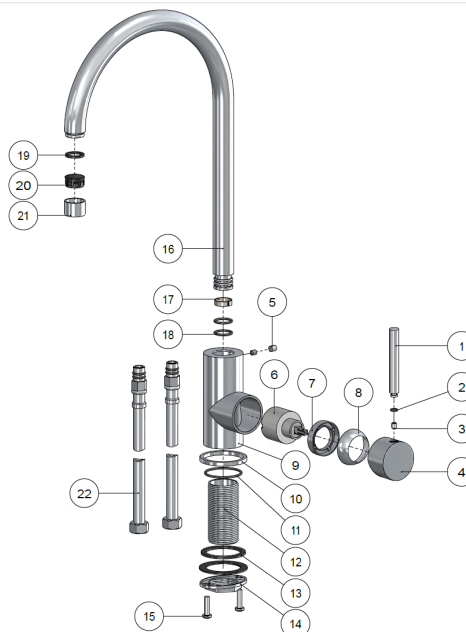
### FLOW RATE



### CREDENTIALS

- Watermark AS/NZS3718WMK080065
- 5-star WELS rated
- WELS registration No: T42184

### EXPLODED VIEW



| No. | Part Name       |
|-----|-----------------|
| 1   | Handle Pin      |
| 2   | O-ring          |
| 3   | Screw           |
| 4   | Handle          |
| 5   | Rubber          |
| 6   | Cartridge       |
| 7   | Cartridge Nut   |
| 8   | Decor Cover     |
| 9   | Body            |
| 10  | Base Ring       |
| 11  | O-ring          |
| 12  | Threaded Tube   |
| 13  | Washer          |
| 14  | Lock Nut        |
| 15  | Screw           |
| 16  | Spout           |
| 17  | C-ring          |
| 18  | O-ring          |
| 19  | Washer          |
| 20  | Aerator         |
| 21  | Aerator Shell   |
| 22  | SS Braided Hose |