

MB09

FREE-STANDING BATH MIXER

meir®

FEATURES

- Refer to the Meir website for warranty terms & conditions, and available finishes.
- Flow rate 20 L p/m at 3 bar pressure.
- European components and cartridge
- Solid brass construction
- Box Weight 6.2 Kg

CARE

- Do not install tapware using any form of acetone silicones.
- Do not apply physical items (such as tools) directly to product.
- Never use house-hold or commercial detergents, citrus based cleaners, or abrasive cleaners.
- Clean using a mild washing soap solution rinsed, and dry with a soft cloth.
- Check for any product defects before installation.
- Refer to the installation manual for correct installation.

HANDLE VARIANTS



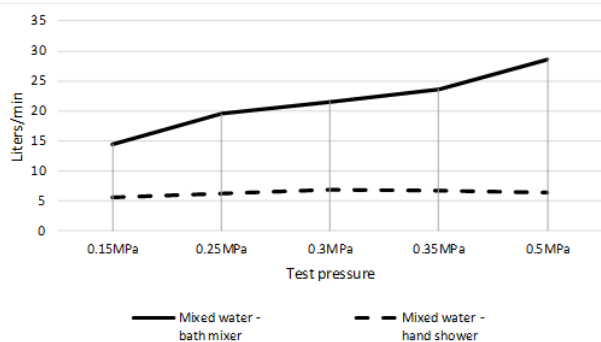
Paddle: MB09PD



Pinless: MB09PN



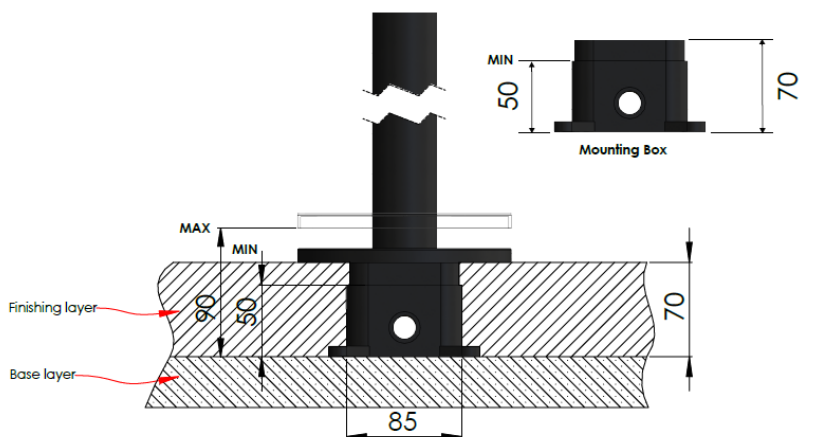
FLOW RATE GRAPH



CREDENTIALS

- Watermark AS/NZS3718WMKA25013
- 3-star WELS rated
- 9 litres p/minute
- WELS registration No. S14861

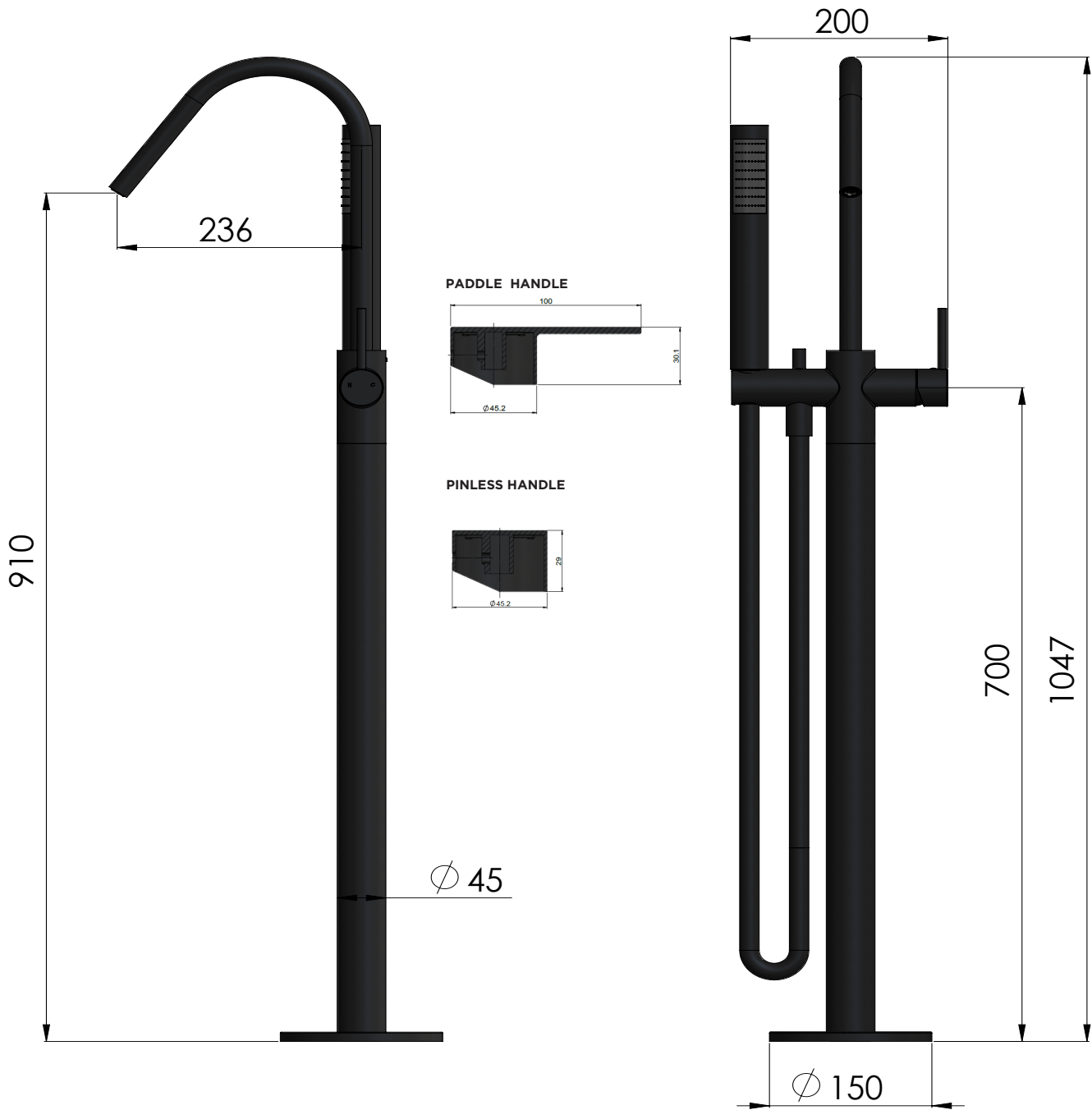
TOLERANCE



MB09

FREE-STANDING BATH MIXER

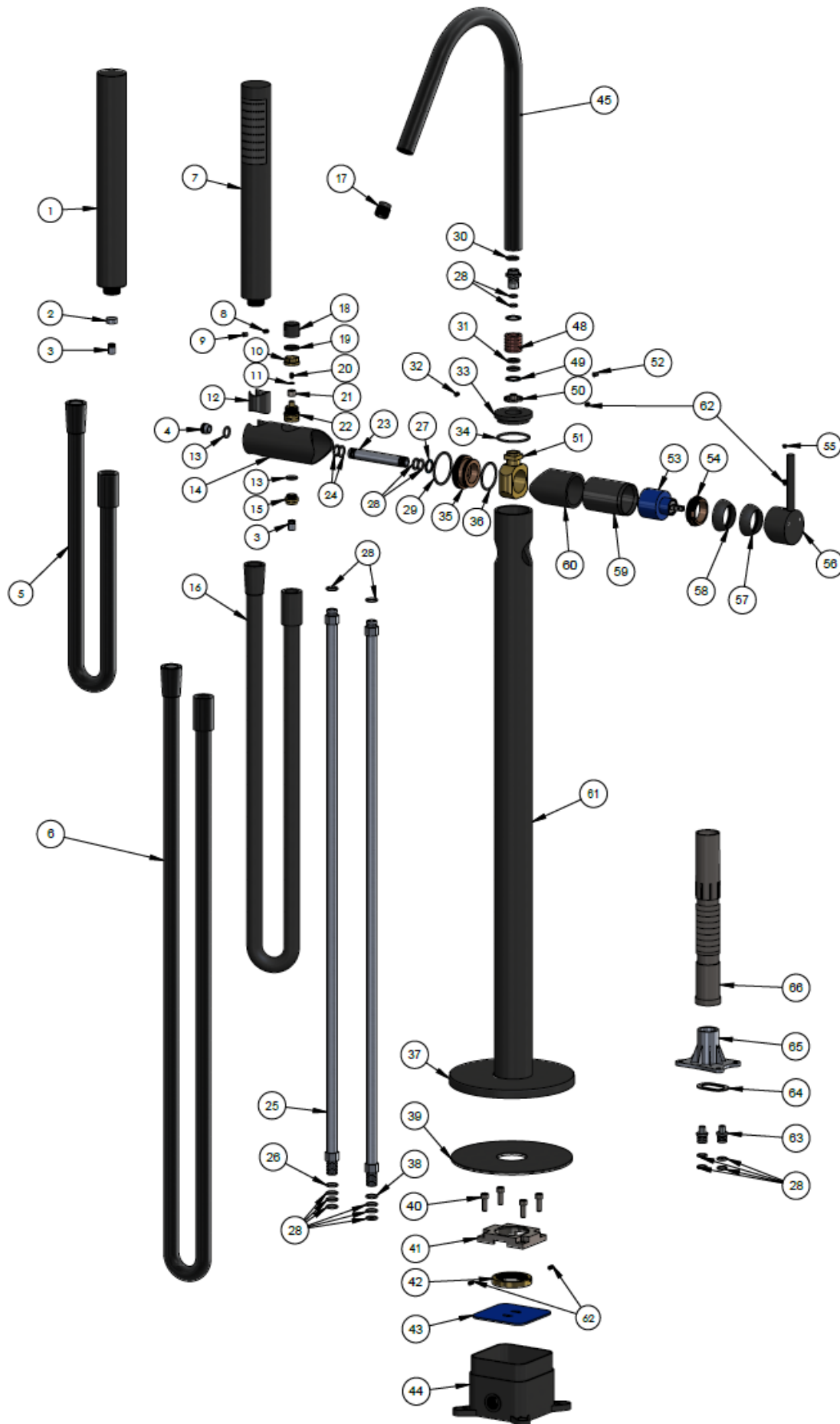
SPECIFICATIONS



MB09

FREE-STANDING BATH MIXER

EXPLODED VIEW



No	Part-Name	Qty
1	Hand shower	1
2	Restrictor	1
3	Check valve	2
4	Connector	1
5	Shower hose	1
6	Shower hose	1
7	Hand shower	1
8	Screw	1
9	Pin lever	1
10	Connector	1
11	Washer	1
12	Plastic protective jacket	1
13	O-ring	2
14	Body	1
15	Connector	1
16	Shower hose	1
17	Aerator	1
18	Handle	1
19	Wearing ring	1
20	Screw	1
21	Connector	1
22	Divertor cartridge	1
23	Connector	1
24	O-ring	2
25	Inlet water hose	2
26	O-ring	1
27	Washer	1
28	O-ring	16
29	O-ring	1
30	O-ring	1
31	O-ring	2
32	Screw	1
33	Back plate	1
34	O-ring	1
35	Connector	1
36	O-ring	1
37	Back plate	1
38	O-ring	1
39	Sponge gasket	1
40	Screw	4
41	Fixed plate	1
42	Fixing nut	1
43	Dust shield	1
44	Plastic box	1
45	Spout	1
46	Connector	1
47	Wearing ring	1
48	Brass sleeve	1
49	Washer	1
50	Locknut	1
51	Body	1
52	Button	1
53	D35 cartridge	1
54	Locknut	1
55	Decor knob	1
56	Handle	1
57	Decor cover	1
58	Decor cover	1
59	Brass sleeve	1
60	Brass sleeve	1
61	Stand pipe	1
62	Screw	4
63	Plug	2
64	Washer	1
65	Water testing seat	1
66	Telescopic corrugated pipe	1