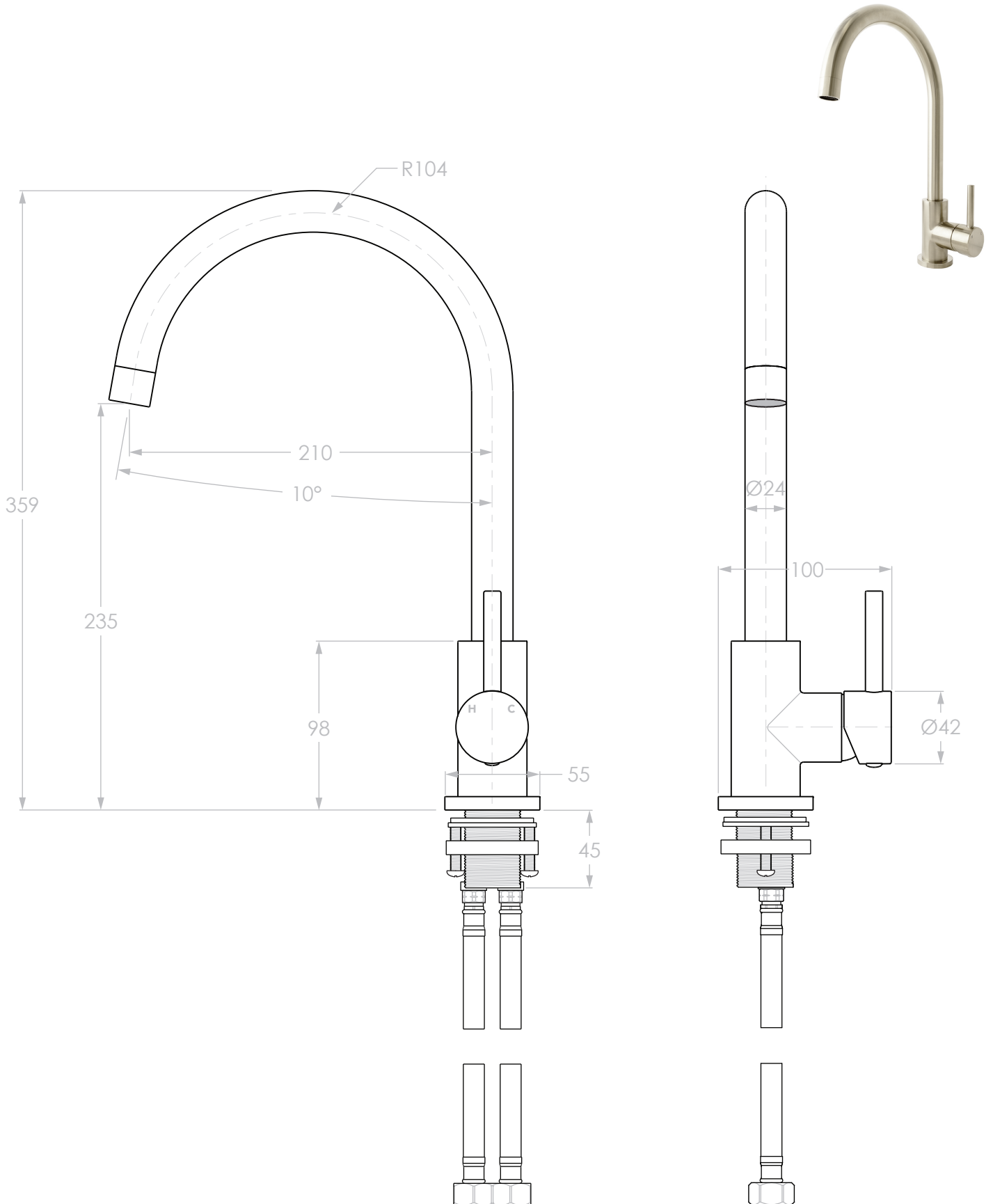


PRODUCT:	BLOOM SINK MIXER
SIZE:	359H x 250D x 100W
TYPE:	MIXER
VERSION: 02	DATE: 03/04/2023

CHROME	JTAPKBLMCP
MATTE BLACK (ELECTROPLATED)	JTAPKBLMBA
BRUSHED NICKEL (PVD)	JTAPKBLMNK
BRUSHED BRASS (PVD)	JTAPKBLMBB
BRUSHED GUNMETAL (PVD)	JTAPKBLMBGM



NOTES:

ALL DIMENSIONS ARE NOMINAL AND SUBJECT TO CHANGE.
 DO NOT DRILL OR ROUGH IN UNTIL YOU HAVE RECEIVED AND MEASURED YOUR PRODUCT.
 ALL DIMENSIONS ARE IN MILLIMETRES.
 DO NOT MEASURE FROM DRAWING.

WATER SUPPLY REQUIREMENTS:

NOT RECOMMENDED FOR GRAVITY FED WATER SYSTEMS OR WATER TANKS.
 WORKING PRESSURE: 350 – 500KPA (INCLUDING COLD AND HOT WATER PRESSURE)
 MAXIMUM PRESSURE: 73PSI / 500KPA
 TEMPERATURE RATING: 5°C - 65°C (MUST NOT EXCEED 70°C)
 INSTALLATION SHOULD COMPLY WITH AUSTRALIAN STANDARD AS/NZS 3500 OR RELEVANT LOCAL AUTHORITY REQUIREMENTS.