

## R&T PNEUMATIC IN-WALL CISTERN FOR WALL-FACED PANS

### Features

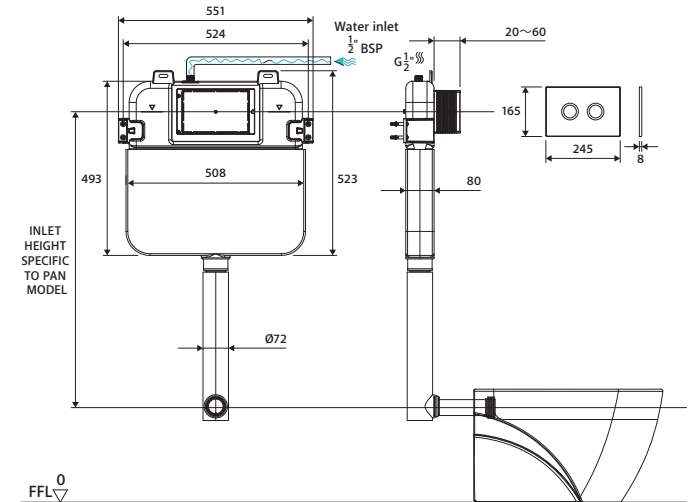
- Suits wall-faced pans
- Operating pressure 10-1000 kpa
- Fits 90 mm stud wall
- HDPE one-piece tank
- Includes raised care flush buttons in either chrome or gloss white
- **WELS 4 Star rated, 4.7L/3.2L (3.5L average flush)**



R&T®



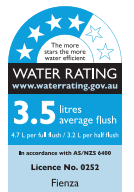
OR



With Chrome  
Buttons  
**G30035**



With Gloss  
White Buttons  
**G30035W**



While we aim to ensure specifications are correct at the time of publication, Fienza reserves the right to make modifications without prior notice. Physical colour may vary from image shown. All measurements are shown in millimetres. Always use physical product measurements for mark-ups and roughing-in as the technical drawing may differ from actual product received.