

SHOWER FLOORS BATHS BASINS



WE UNDERSTAND THAT THE WORLD IS CHANGING

and we want to do our part to make it better.

OUR MATERIAL: ITALIAN GREENEST SOLID SURFACE

WHO WE ARE Domus Living is an Australian owned company based in Melbourne. Our bathroom products are developed and produced in Italy where sophisticated machines work side by side with experienced artisans in order to combine sophisticated materials with high skilled craftsmanship. We are proud to offer products made with some of the best quality solid surface materials in the world.

OUR PROMISE Domus Living provides its customers with appropriate logistic solutions and an efficient transport network from Italy to Australia. The Company has a strong code of ethics that guarantees quality and reliability in delivering Italian products at a competitive price without compromising quality.

OUR COMMITMENT TO THE ENVIRONMENT

From material research, to logistic solutions, to everyday tasks, the approach adopted is in order to limit environmental impact. Domus Living supports the environmental sustainability through a responsible code of ethic.

Facts are that we use the greenest solid surfaces materials in the market: our DomustonePure solid surface (baths and basins materia) is manufactured from resins derived from maize and the Domustone (shower floors) is made from recycled stones and PET. Both materials are completely recyclable at the end of their life, and they have a minimal impact on the environment.

	DomustonePure® Solid Surface Basin	Ceramic Basin
Production	No firing during the manufacture	Firing at extremely high temperatures
Weight	35% lighter than ceramic	35% heavier than DomustonePure®
Resistance	Shock resistant, less breakages during transport	Very fragile, possibility of more breakages
	Lower CO2 emissions	Higher CO2 emissions

MATERIALS

DOMUSTONE PURE® - BATHS AND BASINS

Domustone Pure® is a matte white solid surface homogeneous material in all its thickness and depth. It is velvet to the touch like honed natural stone. It is composed of a high percentage of natural minerals (ATH derived from bauxite) bounded by bio-resins of vegetable origins, it is fireproof (class 1), UV resistant, hygienic, not harmful, extremely stain resistant, repairable and easy to clean. Its composition makes it an eco-friendly material.



DOMUS LIVING strongly believe in the Italian manufacturing excellence in order to satisfy high quality standards and production demand.



DOMUS LIVING solid surface brilliantly resist chemical products. This is confirmed by the most rigorous tests required by the EN 14527 standard which provide for strict tests of resistance to chemical agents.



DOMUS LIVING offers custom made solutions in order to satisfy customers' requirements.



DOMUSTONE® - SHOWER FLOORS

Domustone® is a technologically advanced and unique composite material formed by a high percentage of natural mineral charges and a low percentage of polyester and acrylic polymers of high purity. It is an inert, hypoallergenic, hygienic, UV resistant, heavy duty and non-toxic material. The technical coating grants excellent performances against scratches, abrasions, stains and allow for an easy cleaning with the most common detergents.



DOMUS LIVING solid surface inhibit the growth of bacteria and fungi on the surface to ensure safety and hygiene.



DOMUS LIVING solid surface is not affected by exposure to light. This is confirmed by the tests carried out with the xenon lamp that simulates the exposure and verifies the effects of ageing (EN ISO 4892).



In case of scratches or chips, the solid surface can be restored to achieve the original conditions.





In the picture:
Moderno Basins
1800x900 Pietra Bianco Shower Floor
Caria Freestanding Bath

DOMUSTONE® PIETRA - STONE FINISH



PIETRA SHOWER FLOOR- 30MM THICKNESS

Pietra, in Italian, means “stone” and it is the perfect finish for both classic and modern style bathroom environments: the stone-textured surface creates an architectural feature keeping a pleasant tactile sensation.

The stainless steel waste cover is the same color as the shower floor (ex. black shower floor, black waste cover).

The pattern replicates a stone slab without the wear and tear of the natural stone: the surface is not porous, extremely smooth (but anti-slip) and easy to clean.

COLOURS



SIZES - STOCKED SIZES HIGHLIGHTED

	70	80	90	100	CUSTOM
		80x80	90x90	100x100	
	70 x 90 70x100 70x120 70x140 70x160	80x100 80x120 80x140 80x160	90x100 90x120 90x140 90x160	100x120 100x140 100x160	70x70 UP TO 70x250 (FIXED WIDTH) 80x80 UP TO 80x250 (FIXED WIDTH) 90x90 UP TO 90x250 (FIXED WIDTH) 100x140 UP TO 100x250 (FIXED WIDTH)
	70x170 70x180	80x170 80x180	90x170 90x180	100x170 100x180 100x200	80 TO 90 x 160 TO 250 (WIDTH FROM 80CM TO 90CM)

DOMUSTONE® CEMENTO - CONCRETE FINISH



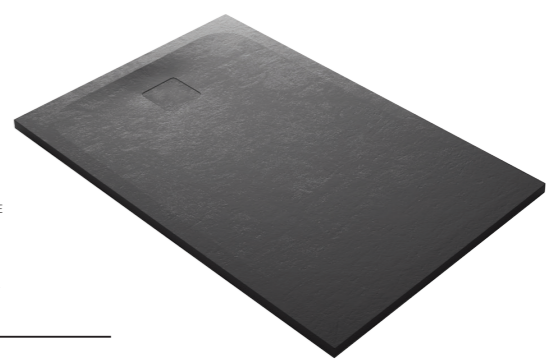
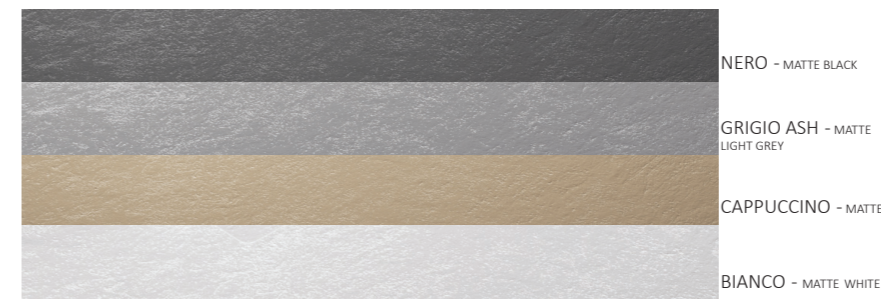
CEMENTO SHOWER FLOOR- 40MM THICKNESS

Cemento, in Italian, means “concrete” and this shower floor has a troweled concrete look that gives a lot of character to the shower area.

The waste cover is made in the same material and it has the same finish as the shower floor.

Ideal solution for a loft or industrial-type open space, where you can express yourself with your most radical choices.

COLOURS



SIZES - STOCKED SIZES HIGHLIGHTED

	70	80	90	100
		80x80	90x90	100x100
	70 x 90 70x100 70x120 70x140	80x100 80x120 80x140 80x160	90x100 90x120 90x140 90x160	100x120
	70x170	80x170 80x180	90x170 90x180	

DOMUSTONE® PIETRA

DOMUS LIVING
SHOWER FLOORS
Model: PIETRA

- 30 mm thickness
- Reasonably light
- Anti-slip surface: barefoot inclining platform test result A + B + C (top class)
- Adapt to residential and commercial projects
- Sizes from 700x900 to 1000x2000

High anti-slip
DIN16165-A
A + B + C

DOMUSTONE® CEMENTO

DOMUS LIVING
SHOWER FLOORS
Model: CEMENTO

- 40 mm thickness
- Waste cover made by Domustone
- Anti-slip surface
- Sizes from 700x900 to 1800x900

Why to use the Domustone Shower Floor

1

Architectural surface: feature element alternative to tiles

Domus shower floor was designed as an alternative to tiles. Available in 2 textures, 4 matte neutral colors each texture, an element that is easy to match or to contrast: in both cases you are adding a distinctive element to your bathroom. Thanks to the minimal thickness, the step-less installation is easy to achieve.

In case of a semi-inset installation, the "step" between floor tiles and the upper surface of the Domus shower floor is 20mm for the Pietra model, or 30mm for the Cemento model: in the same situation, a tiled shower normally has 50-75mm of tile lip!



STEP-LESS INSTALLATION: no step, seamless integration.



SEMI-INSET INSTALLATION:
20mm step with a Domustone Pietra shower floor
30mm step with a Domustone Cemento shower floor



ARCHITECTURAL SURFACE

2

Domustone shower floors: your insurance against problems of waterproofing and grout.

Potential waterproofing issues for the long term:
90% of shower leaks occur from a waterproofing membrane failure. In a tiled shower the grout is not waterproof: there is a constant level of moisture settling under the floor tiles, the waterproof membrane has the task of keeping moisture away from the bathroom sub-floors. If that waterproof membrane fails, you could run into several problems that can compromise the structure of your home.

Grout maintenance:
No more discoloration, mold formation and cracking of the grout.

Water stagnation:
No water stagnation on grout joint or on tiles, Domus shower floors have an in-built gradient designed to drain water over the entire shower floor area.



WATERPROOF SURFACE



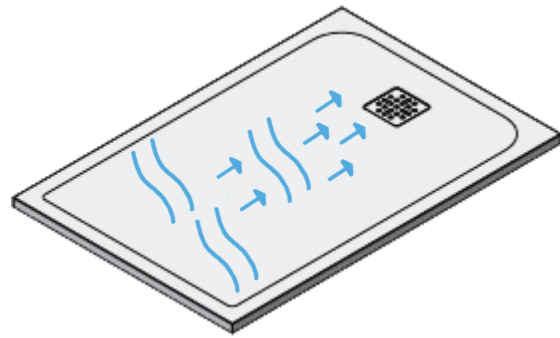
GROUT-FREE SHOWER



EFFICIENT DRAINAGE

Why to use the Domustone Shower Floor

Features of the Domustone shower floors



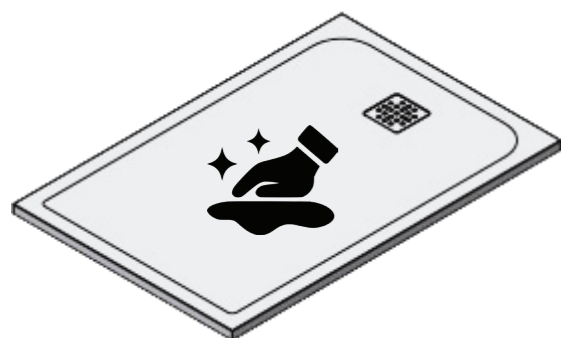
In-built gradient: optimal drainage

The Domus shower floor has been engineered to achieve an excellent drainage. An in-built gradient avoids any water stagnation and guarantees an optimal drainage even in the case of a double shower.



Anti-slip surface

The Domus shower floor has been engineered to achieve excellent anti-slip properties. Especially the Pietra range as it achieves the maximum result on wet barefoot inclining platform slip test: result is A+B+C.



Easy to clean / chemical resistant surface

The Domus shower floor surface is not porous: any type of stain, such as soap scums or dirt stains that normally occur on the surface are easily removed using a damp cloth or a non-abrasive sponge and a normal bathroom detergent.

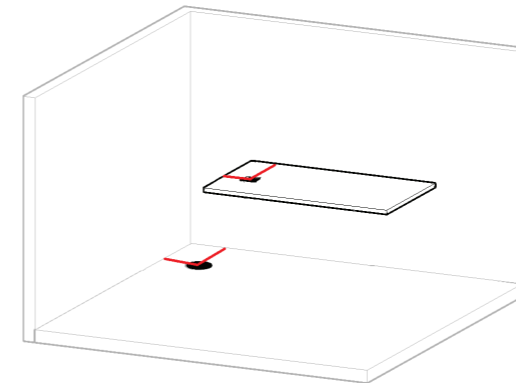


Made to last

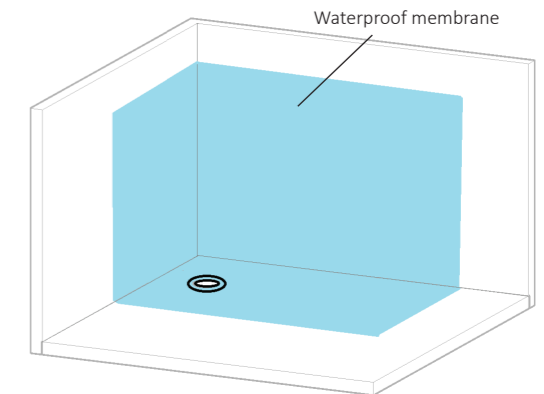
The Domus shower floor is engineered and made in Italy with high construction and quality standards. The Domustone material (made by stone and resins) has been engineered to be used as a shower floor. It is scratch-resistant, UV-resistant, hypoallergenic and non-toxic (NO silica or any toxic material in the Domustone composi-

Installation: semi-inset for bathroom without floor waste in dry area

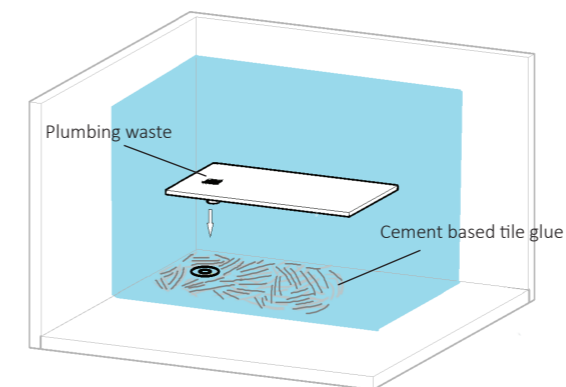
Installation on a floor without creating a recess: same procedure for a timber or concrete substrate



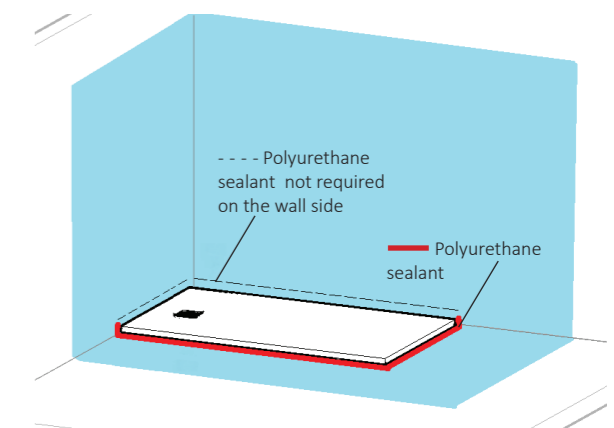
STEP 0: flat floor, walls completely sheeted, plumbing device in place (puddle flange or smart pan).



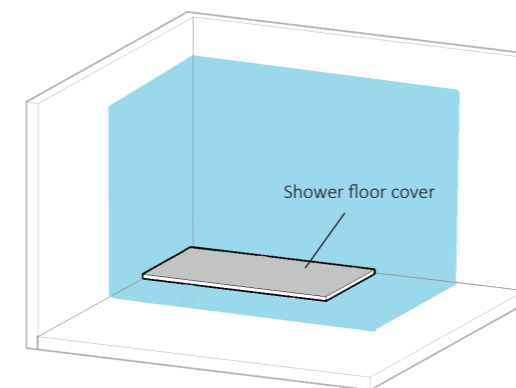
STEP 1: floor and walls completely waterproofed as AS AU3740



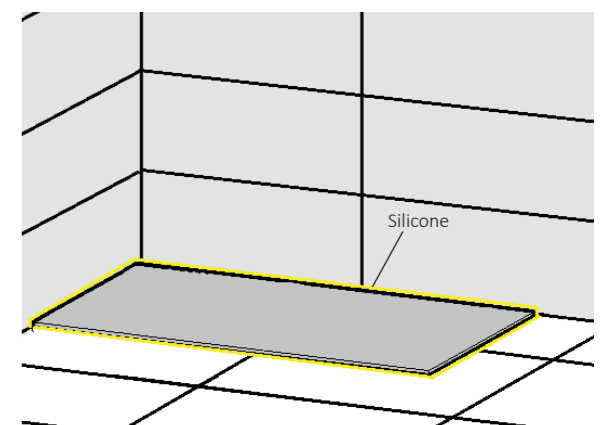
STEP 2: spread flexible cement based tile glue, install the plumbing waste on the Shower Floor, glue the Shower Floor in place.



STEP 3: seal edges of the Shower Floor to the waterproof membrane with a water resistant polyurethane sealant.



STEP 4: cover the Shower Floor before tiling.

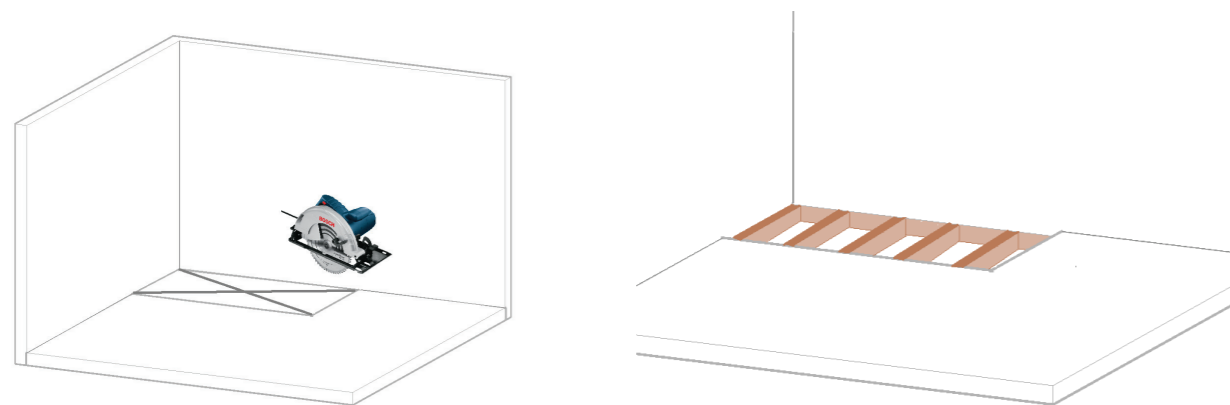


STEP 5: apply silicone sealant on the joint between the Shower Floor and surrounding tiles.

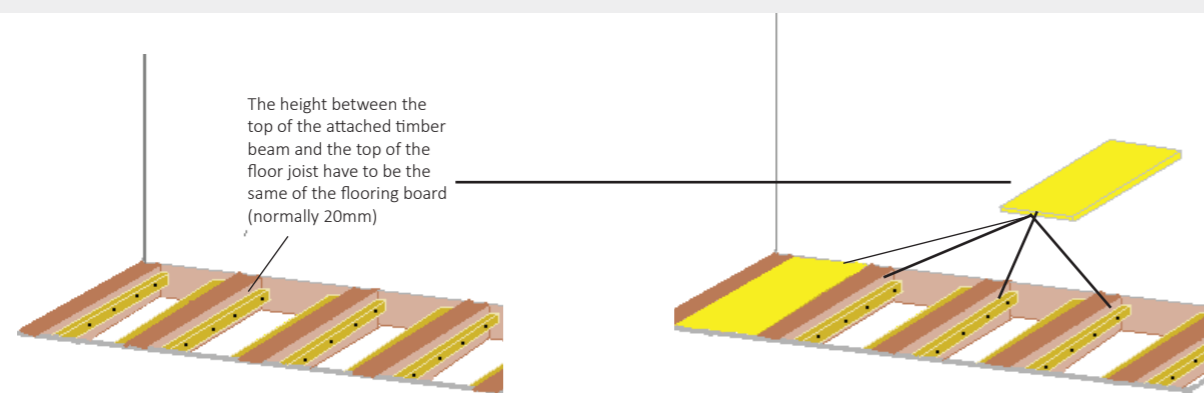
Installation: step-less for bathroom without floor waste in dry area

Step-less installation on timber floor/concrete floor.

Same procedure if installed step-less on concrete floor: it is necessary to create a recess to accommodate the shower floor.

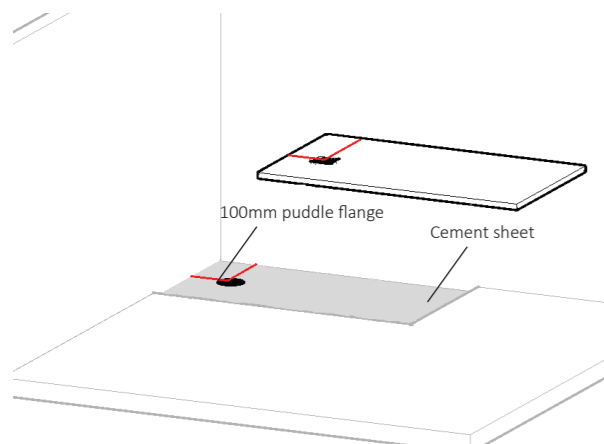


STEP 1: to drop the floor down. Cut an area slightly bigger (about 10mm length and width) of the Domus shower floor being installed (ex. for a 900x1600mm shower floor cut an area of 910x1610mm). Save the cut timber flooring (to be used in step 3).

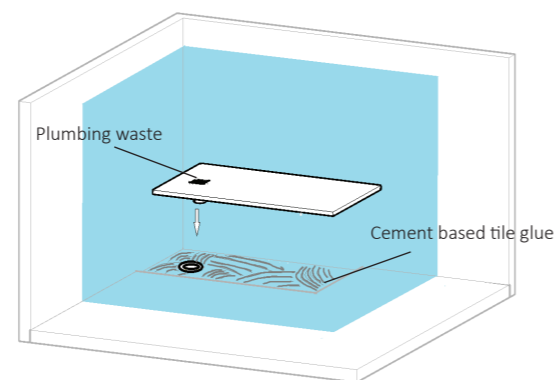


STEP 2: secure timber beams to the floor joist in order to create supports for timber floor boards to be placed between the floor joists.

STEP 3: fill the space between floor joists with timber floor boards to create a flat surface lower than the rest of the bathroom floor: this will create a solid support for the cement sheeting (see next step).

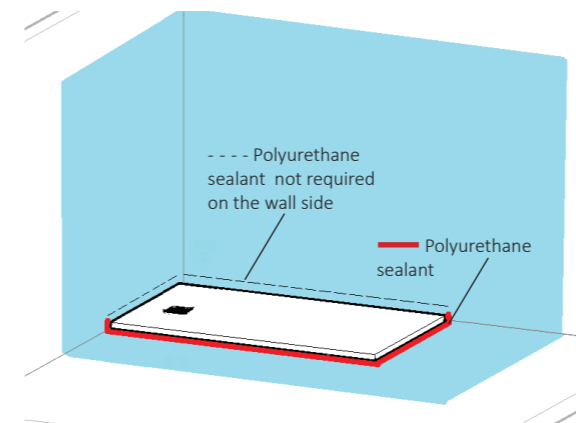


STEP 4: cover the shower floor area above joist with cement sheets and set a plumbing device (such 100mm puddle flange) prior to waterproofing.

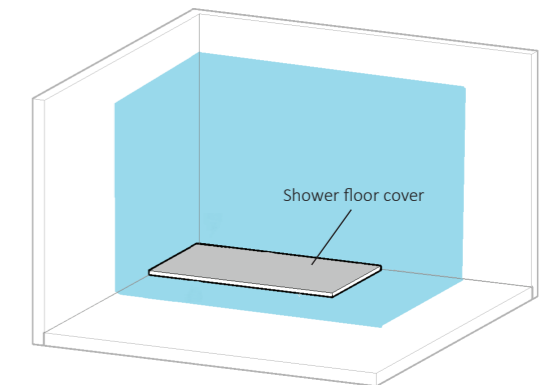


STEP 5: waterproofing according AS AU3740, then spread tile glue as a bed for the Domus shower floor. Shower floor should be installed with at least a 3mm gap from surrounding elements.

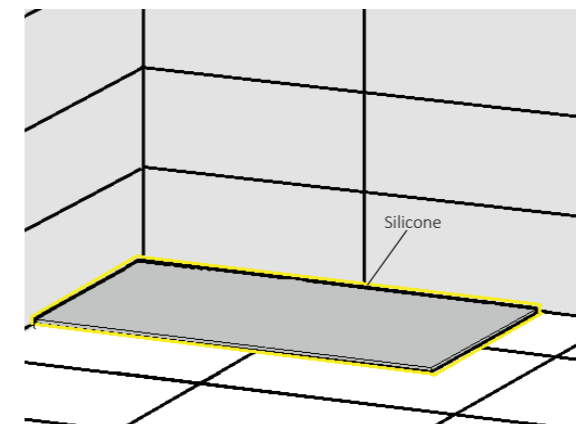
STEP-LESS Installation - recommended for bathroom without floor waste in dry area



STEP 6: seal the edges of the Shower Floor to the waterproof membrane with a water resistant polyurethane sealant



STEP 7: cover the Shower Floor before tiling.



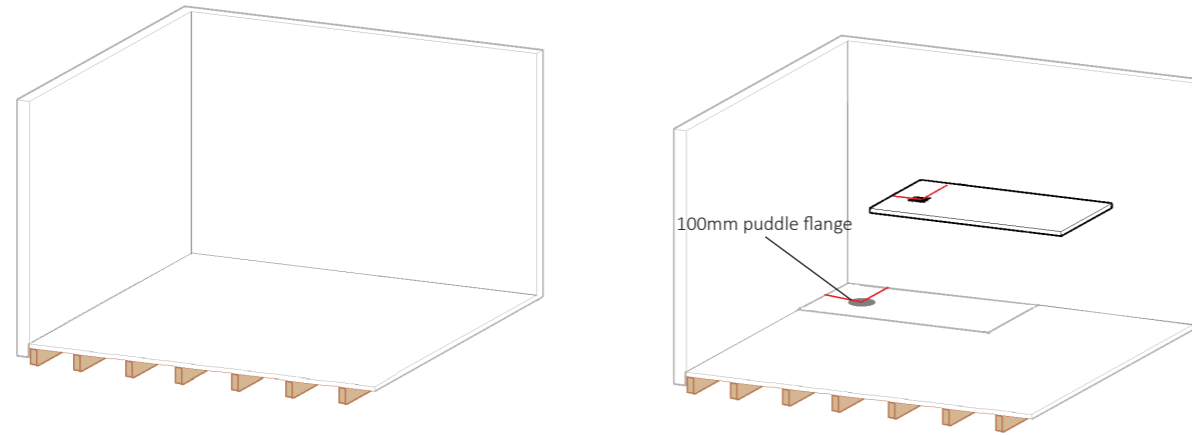
STEP 8: after tiling, apply silicone sealant on the joint between the Shower Floor and surrounding tiles.



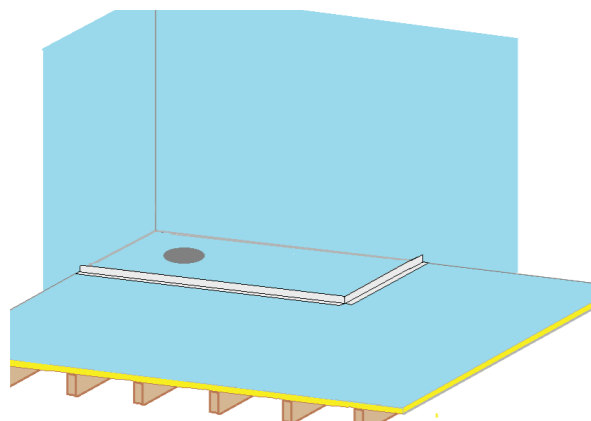
STEP-LESS Installation - for bathroom with floor waste in dry area (typical of NSW - QLD)

STEP-LESS Installation - recommended for bathroom with floor waste in dry area (typical of NSW - QLD)

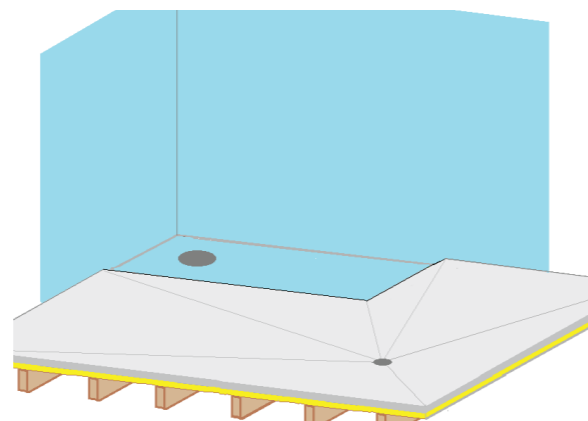
Step-less installation on timber floor bathroom with floor waste



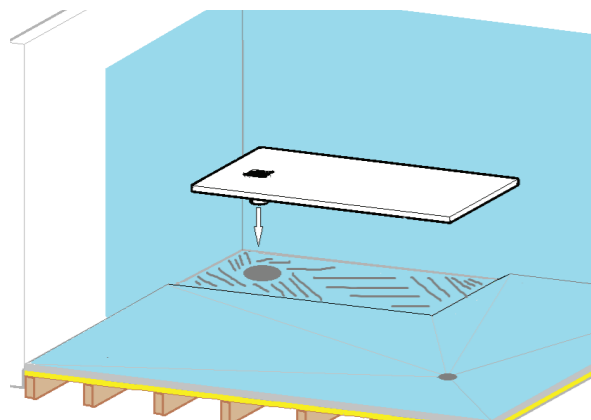
STEP 1: when walls are sheeted and structural floorboards installed, mark a slightly larger area than the Domus shower floor being installed (ex. for a 900x1600mm shower floor mark an area of 910x1610mm, so 10mm more length and width) and set the plumbing device (100mm puddle flange or smartpan).



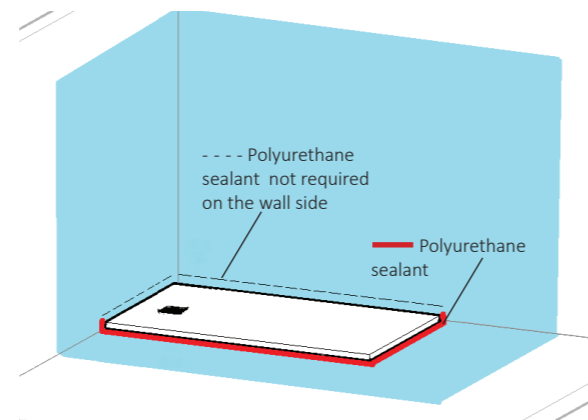
STEP 2: waterproof the bathroom floor / walls as AS AU3740 and install a PVC angle to separate the bathroom area to be screeded from the Domus shower floor area (area not screeded).



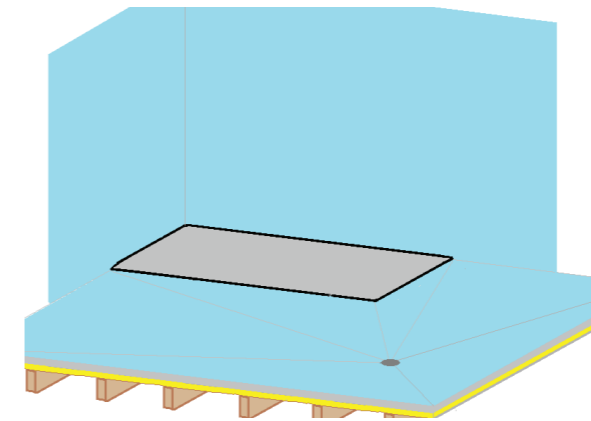
STEP 3: screed and waterproof the bathroom area (not the shower floor area).



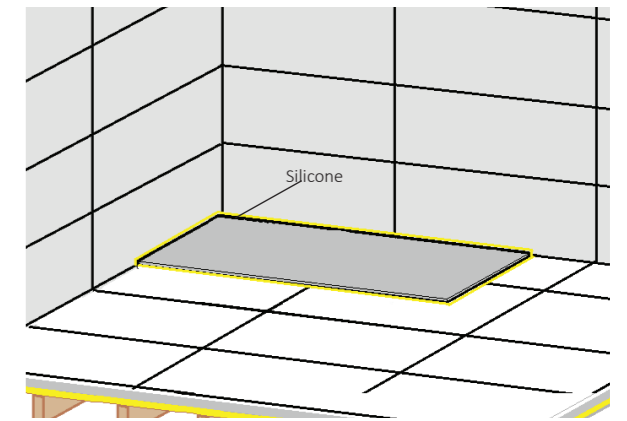
STEP 4: Install the plumbing waste supplied with the Domus shower floor, apply a layer of cementitious and flexible tile glue and lay the Domus shower floor.



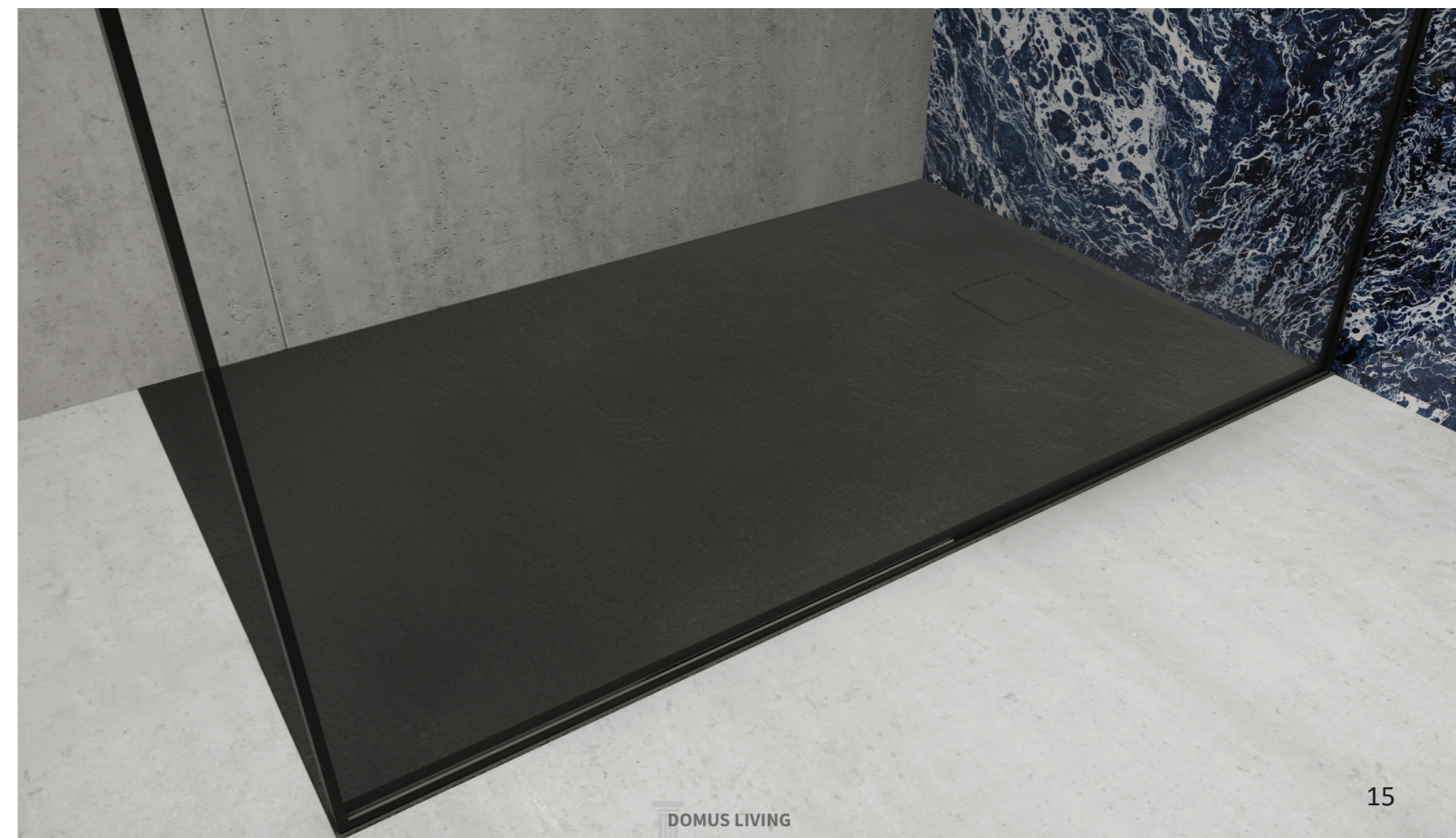
STEP 5: seal the edges of the Shower Floor to the waterproof membrane with a water resistant polyurethane sealant.



STEP 6: cover the Shower Floor before tiling.



STEP 7: after tiling, apply silicone sealant on the joint between the Shower Floor and surrounding tiles.



Domus Shower Floors VS Tiles

TIME

Domus Shower Floor	Tiles
SAVE TIME USING DOMUS SHOWER FLOORS	
<p>INSTALLING DOMUS FLOOR:</p> <p>First week Day 1 - first coat of waterproof Day 2 - shower floor installation Day 3 - tiling</p> <p>TOTAL TIME: 2 DAYS</p>	<p>TILING A SHOWER AREA:</p> <p>First week Day 1 - first coat of waterproof Day 2 - screeding Day 3 - screeding is drying Day 4 - screeding is drying Day 5 - if screeding is dry, second coat of waterproof</p> <p>Second week Day 6 - tiling</p> <p>TOTAL TIME: 5 DAYS</p>

COSTS

Domus Shower Floor	Tiles
COST SAVING USING DOMUS SHOWER FLOORS	
<p>INSTALLING DOMUS FLOOR:</p> <p>First week Day 1 - first coat of waterproof Day 2 - shower floor installation Day 3 - tiling</p> <p>COST SAVED: - screeding + labor - second coat of waterproof + labor - shower tiles + tiler labor</p>	<p>TILING A SHOWER AREA:</p> <p>First week Day 1 - first coat of waterproof Day 2 - screeding Day 3 - screeding is drying Day 4 - screeding is drying Day 5 - if screeding is dry, second coat of waterproof</p> <p>Second week Day 6 - tiling (shower)</p>

LONG TERM BENEFITS

Domus Shower Floor	Tiles
NO LONG TERM ISSUES USING DOMUS SHOWER FLOORS	
<p>INSTALLING DOMUS FLOOR:</p> <p>If installed correctly there are NO short term or long term issues.</p>	<p>TILING A SHOWER AREA:</p> <p>SHORT TERM POTENTIAL ISSUES</p> <p>Grout discoloring Grout cracking Water pooling</p> <p>LONG TERM POTENTIAL ISSUES</p> <p>Waterproofing failure Shower grate finish peeling off</p>

USABILITY

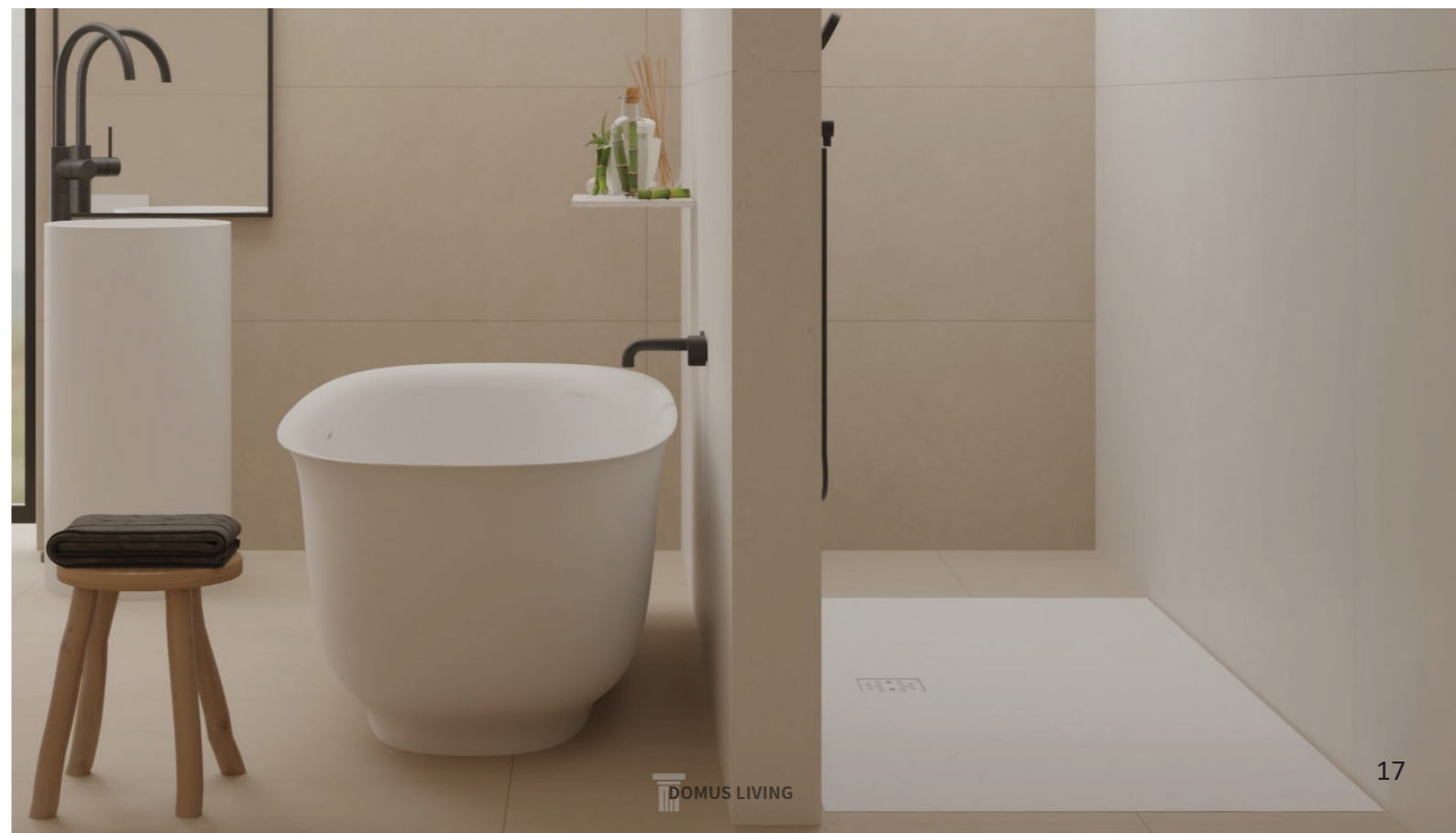
Domus Shower Floor	Tiles
USABILITY DIFFERENCES	
<p>DOMUS FLOOR</p> <p>MAINTENANCE: weekly cleaning with common mild detergents.</p> <p>SHOWER ACCESSIBILITY: 0 step in case of step-less installation. Step of 20mm to 30mm in case of a semi-inset installation.</p> <p>SAFETY: Domustone Pietra achieve the maximum result on barefoot test (barefoot test is part of AS 4586 Appendix C).</p>	<p>TILED SHOWER FLOOR</p> <p>MAINTENANCE: weekly cleaning with common mild detergents.</p> <p>SHOWER ACCESSIBILITY: 50-75mm tile lip step.</p> <p>SAFETY: variation of the anti-slip properties, depending on the tiles (R9 or R10).</p>

Warranty

DOMUS LIVING SHOWER FLOORS CARRY A 7 YEAR WARRANTY.

DOMUS LIVING WARRANTY SERVICE:

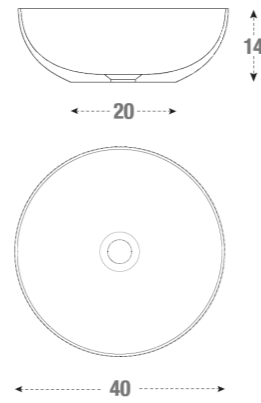
Domus Living has a nation-wide warranty support.



ABOVE THE COUNTER BASINS



AMPOLLA ABOVE THE COUNTER BASIN

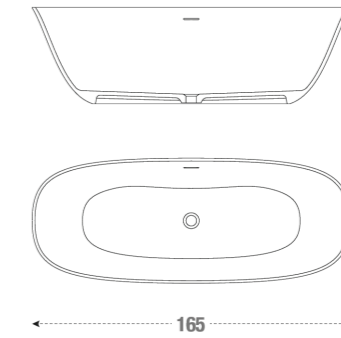


DOMUSTONE PURE®
 MATTE WHITE DomustonePure® SOLID SURFACE
 4.5 KG
 5MM Thin Rim
 Add Matte White Waste (DLWST32/40MW) for \$99
 25 Years Warranty

FREESTANDING BATHS



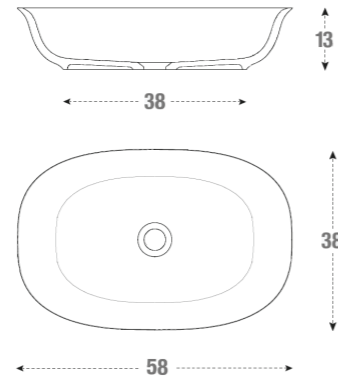
LIVIA FREESTANDING BATH



DOMUSTONE PURE®
 MATTE WHITE DomustonePure® SOLID SURFACE
 With Overflow
 67 KG
 240 LT Capacity
 Matte White Waste Included
 25 Years Warranty



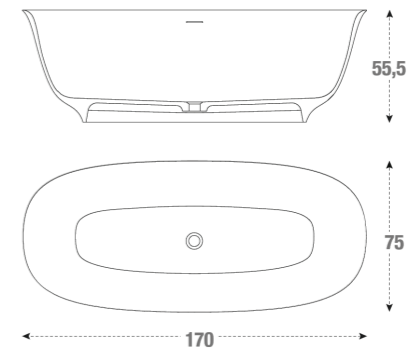
CARIA ABOVE THE COUNTER BASIN



DOMUSTONE PURE®
 MATTE WHITE DomustonePure® SOLID SURFACE
 5 KG
 Extra Thin Rim
 Add Matte White Waste (DLWST32/40MW) for \$99
 25 Years Warranty



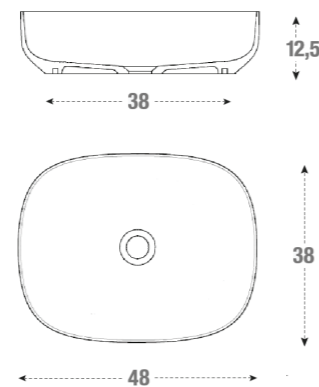
CARIA FREESTANDING BATH



DOMUSTONE PURE®
 MATTE WHITE DomustonePure® SOLID SURFACE
 With Overflow
 92 KG
 290 LT Capacity
 Matte White Waste Included
 25 Years Warranty



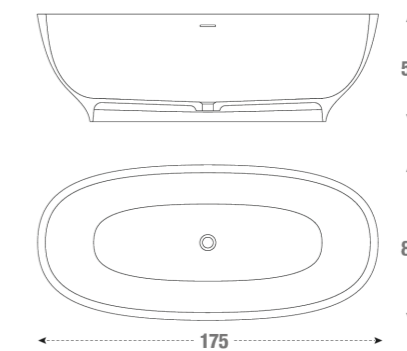
MODERNO ABOVE THE COUNTER BASIN




DOMUSTONE PURE®
 MATTE WHITE DomustonePure® SOLID SURFACE
 5.5 KG
 5MM Thin Rim
 Add Matte White Mushroom Waste for \$99
 25 Years Warranty



LEMONIA FREESTANDING BATH



DOMUSTONE PURE®
 MATTE WHITE DomustonePure® SOLID SURFACE
 With Overflow
 102 KG
 315 LT Capacity
 Matte White Waste Included
 25 Years Warranty



DOMUS LIVING

CONTACT US:

www.domusliving.com.au

Enquiries: sales@domusliving.com.au

Office: 03 7035 0244

Showroom And Warehouse: 285 Holt Parade, Thomastown,
3074, Victoria