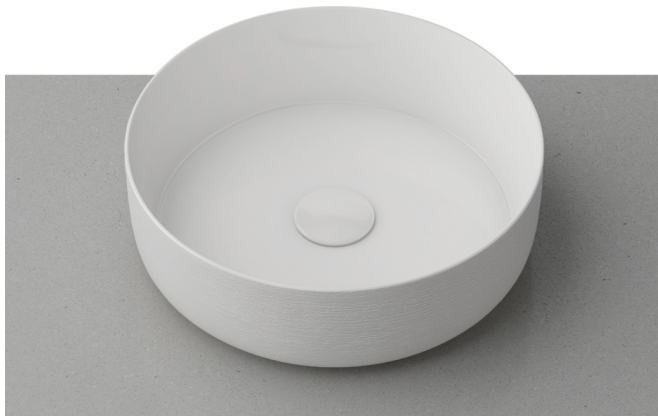


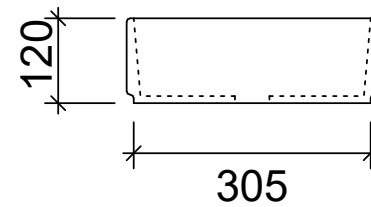
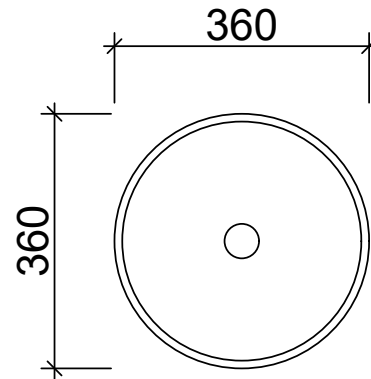
Allure Raked Textured Finish

WG White Gloss
ALR-BS-360-WG-S

WM White Matt
ALR-BS-360-WM-U

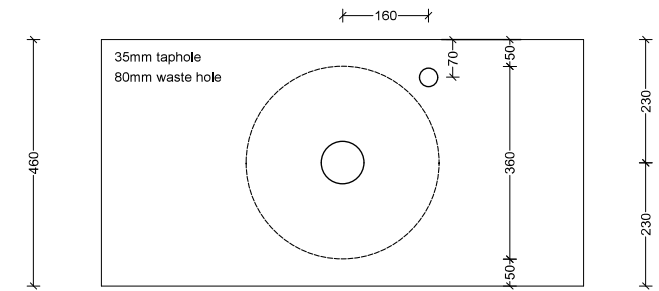


Above Counter

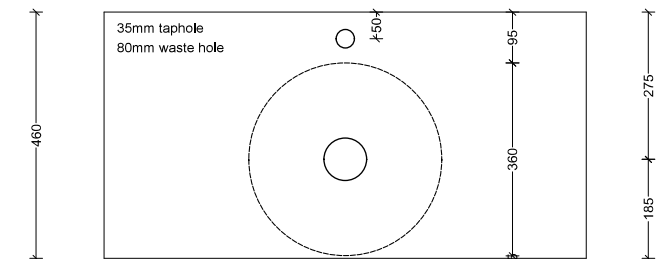


Drawings

Taphole Offset



Taphole Behind



Cut Out Specifications

Approx Capacity: 10L

Cut Out Size: 80mm

Waste Size: 32mm without overflow

Note: Due to the manufacturing process, ceramic basins will vary from their nominal stated sizes. Use the dimensions provided as a guide only. Waste not included. Refer to brochure for pricing.