

Yamatho YS20S 2-Way CPVC Motorized Ball Valve (On/Off) with 24 VDC Actuator



The body of the valve is in CPVC and comes in 1" ANSI Socket only
The YS20S is the valve for you. With its new actuator it directly replaces solenoid valves both physically and electrically.

The YS20S is the result of merging the best of several technologies:

- State of the art electronics so no mechanical means are required to bring the valve to the default position.
- Large orifice, increasing your system's reliability as suspended solids will not plug it.
- Tremendous reduction in pressure drop and fantastic increment in the water flow at the same pressure difference.
- Extremely useful manual override for service and tests.

Features:

- CPVC ball, to assure performance with high concentration of dissolved solids
- Position feedback signals
- Long service life - 70,000 to 100,000 circles
- Low working current, suitable for battery driving
- Manual override is safe and convenient
- IP67 Enclosure

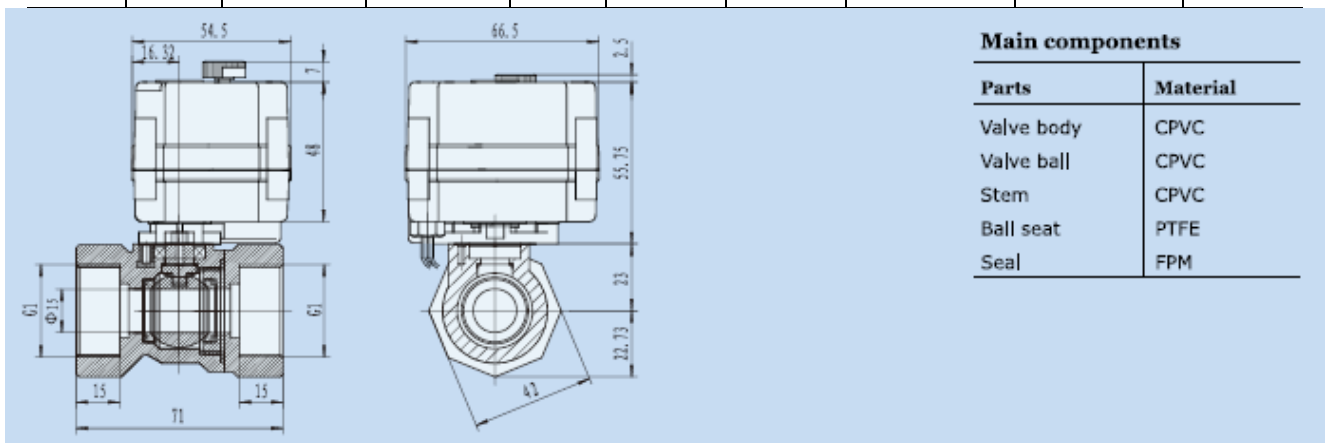
Applications:

- HVAC
- Water treatment
- Chemical process
- Small equipment for automatic control
- Replacing solenoid valve, particularly when solenoid cannot work reliably

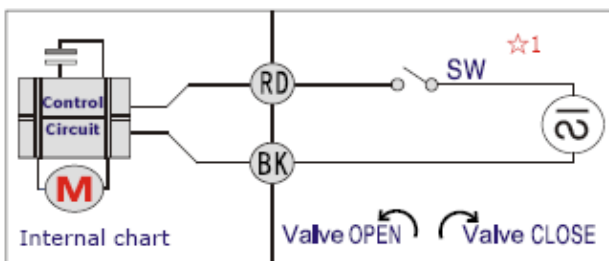
To order use p/n YS20S100PV2W2NC24

Technical Parameters:

Series	Max Torque	Operating Time	Working Voltage	Max Power	Enclosure	Max Pressure	Max Temp	Ambient Temp	Humidity
KT2S	2N.M	5-7S	24 VDC	4W	IP67	1.6 Mpa 230 psi	-20~+100°C -4~+220°F	-20 ~ +45°C -4 ~ +113°F	<95%



Type 2 Wiring



Instructions:

- If SW is closed, the valve will open and keep on.
- If SW is opened, the valve will close and keep off

NOTE:

☆1 Type 2 is the same as wiring of monostable solenoid valve.
Attention: It should be supplied power at least 10 minutes before cutting the power automatically.

Yamatho Supply LLC

e-mail: sales@yamathosupply.com

Phone/fax: 610-365-7928

www.yamathosupply.com

