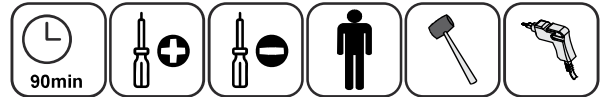


TV 114 - OKG / TV 114 - W / TV 114 - G

Thank you for choosing this furniture.



BEFORE YOU START ASSEMBLY please store the carton at room temperature for 48 hours or more so the contents can acclimatise.

PLEASE RETAIN ALL PACKING UNTIL YOU HAVE COMPLETED ASSEMBLY.

Information about your furniture.

This furniture has been manufactured from surface coated wood based manufactured boards.

Caring for your furniture.

Extreme temperature can cause slight movements in the board material so please avoid placing your furniture close to radiators or other sources of heat.

Please avoid exposing your furniture to continued bright sunlight as this can affect the colour, any fluid spills should be removed as quickly as possible

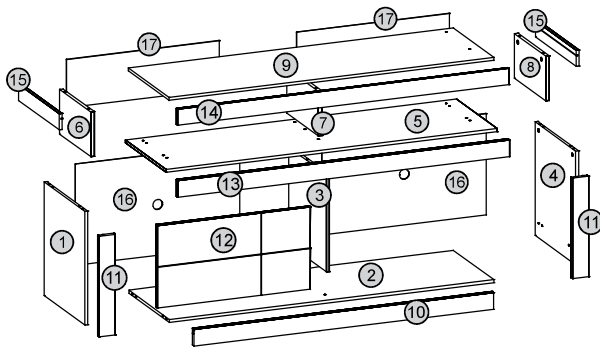
Always lift your furniture when moving as dragging may cause damage to your furniture or flooring.

Use mats or coasters to help protect against heat.

Do not stand on your furniture .

Aftercare.

Wipe all surfaces with a dry cloth and the occasional use of a normal household furniture Polish, do not use detergents or chemicals on your furniture. After assembly remove any visible component identification stickers, these should remove easily however any remaining adhesive residue can be removed with a label adhesive removal liquid available from most DIY or hardware stores. For models with drawers we also recommend you use a household spray polish or curtain track spray on the drawer runner tracks. Please do not use any wax based products, chemicals or detergents on this furniture. Regularly check all fixings to ensure they are tight.



Nº	PIECE	QT.
1	LEFT SIDE	1
2	BASE	1
3	Base CENTRE PANEL	1
4	RIGTH SIDE	1
5	TOP CENTRE PANEL	1
6	TOP LEFT SIDE	1
7	TOP CENTRE SUPP.PANEL	1
8	TOP RIGHT SIDE	1
9	TOP	1
10	BASE FRAME	1
11	SIDE FRAMES	2
12	SIDING ROOR	1
13	TOP CENTRE FRAME	1
14	TOP FRAME	1
15	TOP SIDE FRAMES	2
16	BASE BACK PANEL	2
17	TOP BACK PANEL	2

UNDERSTANDING THE CODES STAMPED IN THE PARTS:

A 2x 	B 18x 30mm Ø6	C 1x 45mm Ø6	D 4x 	E 25x 	F 4x
G 13x 	H 6x 40mm Ø3,5	I 86x 12mm Ø4	J 13x 32mm Ø6	K 45x 10mm Ø10	L 9x Ø12
M 4x Ø15	N 3x Ø15	O 3x Ø8	P 5x 	Q 1x 	R 1x Ø6
S 2x 	T 1x 50mm Ø6	U 1x 25mm Ø4			

BEFORE YOU START ASSEMBLY

please check that you have all the correct parts and fittings as detailed on these instructions.

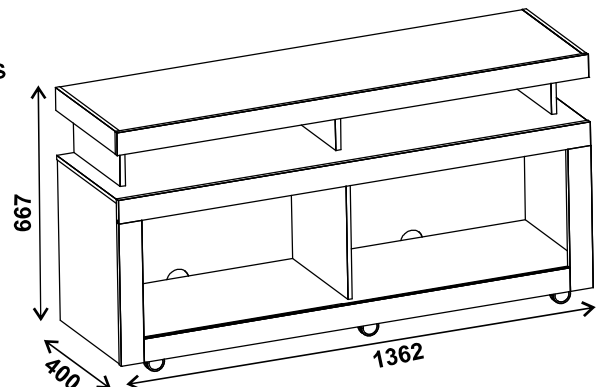
FOR DAMAGED, MISSING OR REPLACEMENT PARTS

Please visit

www.coreproducts.co.uk/parts

2021 specification

Batch number [DJM7170]



PLEASE RETAIN THIS INSTRUCTION LEAFLET, ALONG WITH YOUR DELIVERY NOTE/RECEIPT FOR FUTURE REFERENCE.

TV 114 - OKG / TV 114 - W / TV 114 - G

1°

I 31x	D 4x	E 25x	A 2x
-----------------	----------------	-----------------	----------------

To avoid damage to your furniture during assembly please build on a soft clean surface such as the inside of the cardboard box.

2°

I 11x

NOTE: Use the part (A) and (I) to secure the pieces (15) and (14)







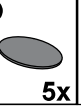

3°

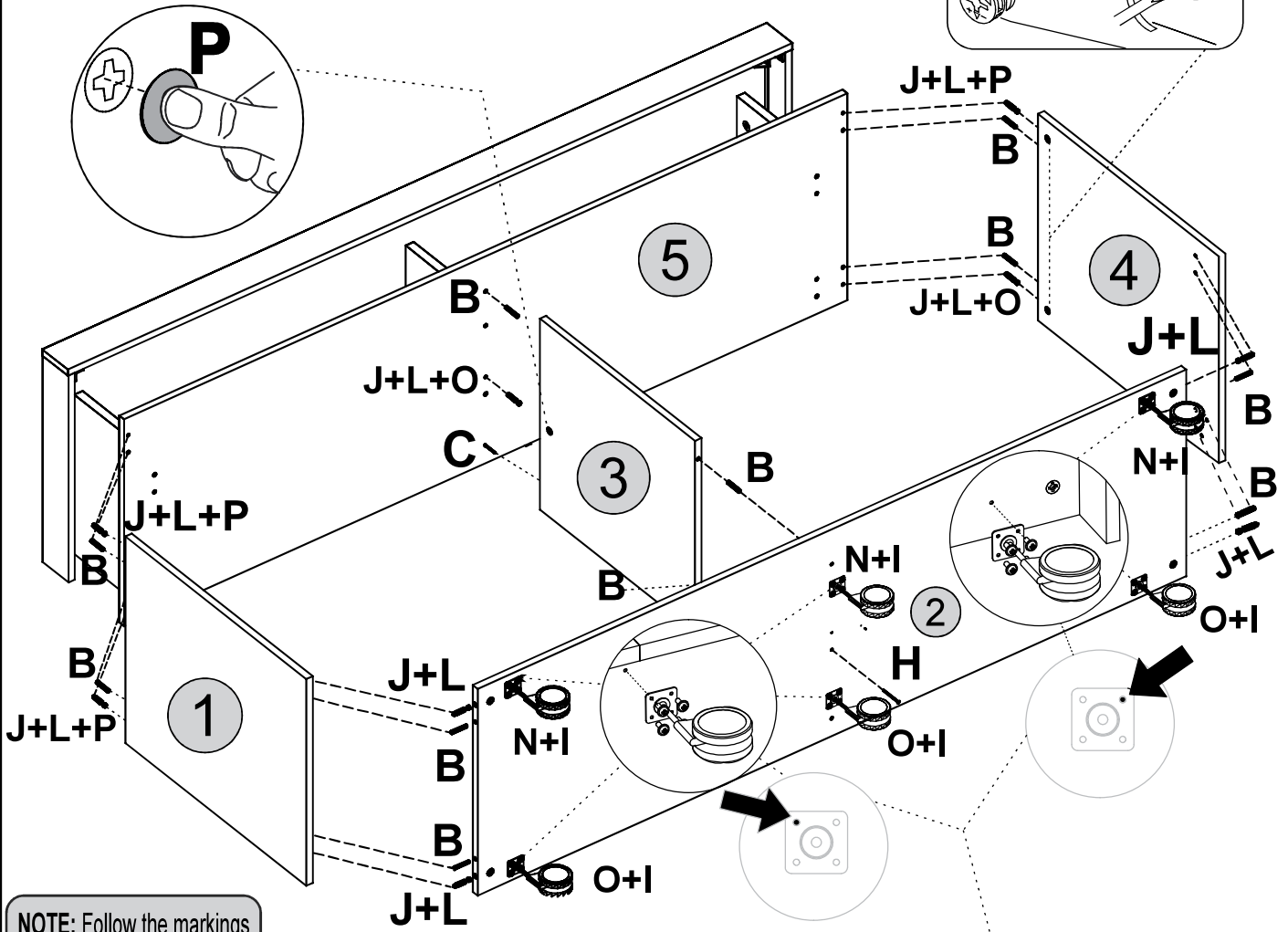
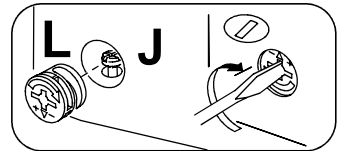
J 4x	M 4x	B 2x
----------------	----------------	----------------

4°

C 1x	B 5x	H 5x
----------------	----------------	----------------

TV 114 - OKG / TV 114 - W / TV 114 - G


- 5°
- J 9x 
 - B 11x 
 - L 9x 
 - H 1x 
 - N 3x 
 - I 24x 
 - P 5x 
 - O 3x 

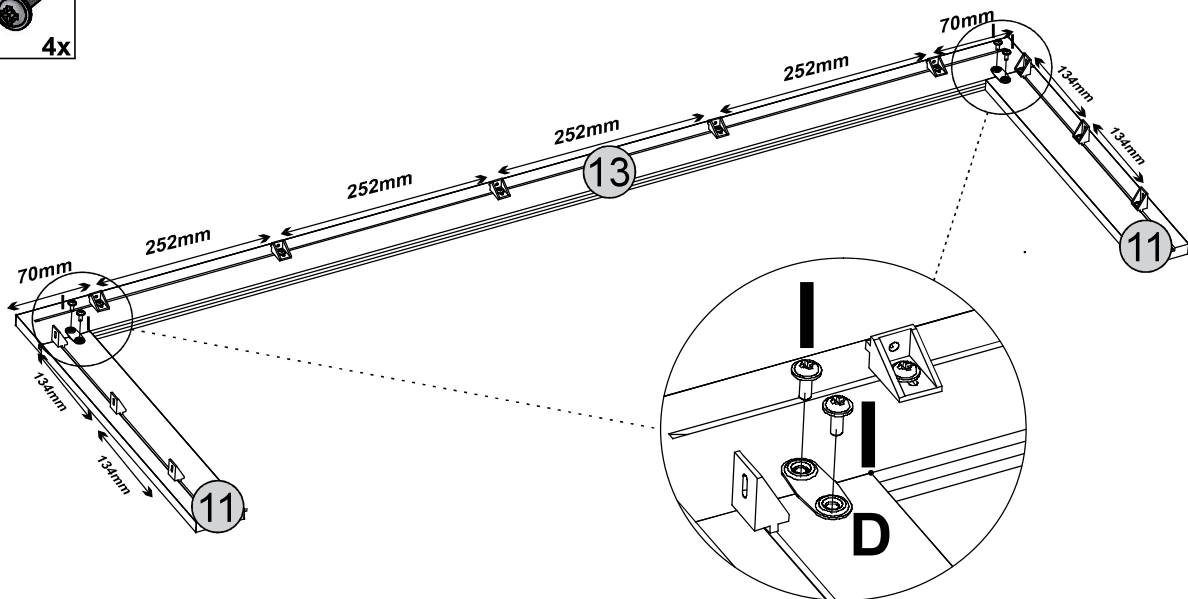


NOTE: Follow the markings to fix the castors

NOTE: Attach the accessory (D+I) to the parts (13) and (11)

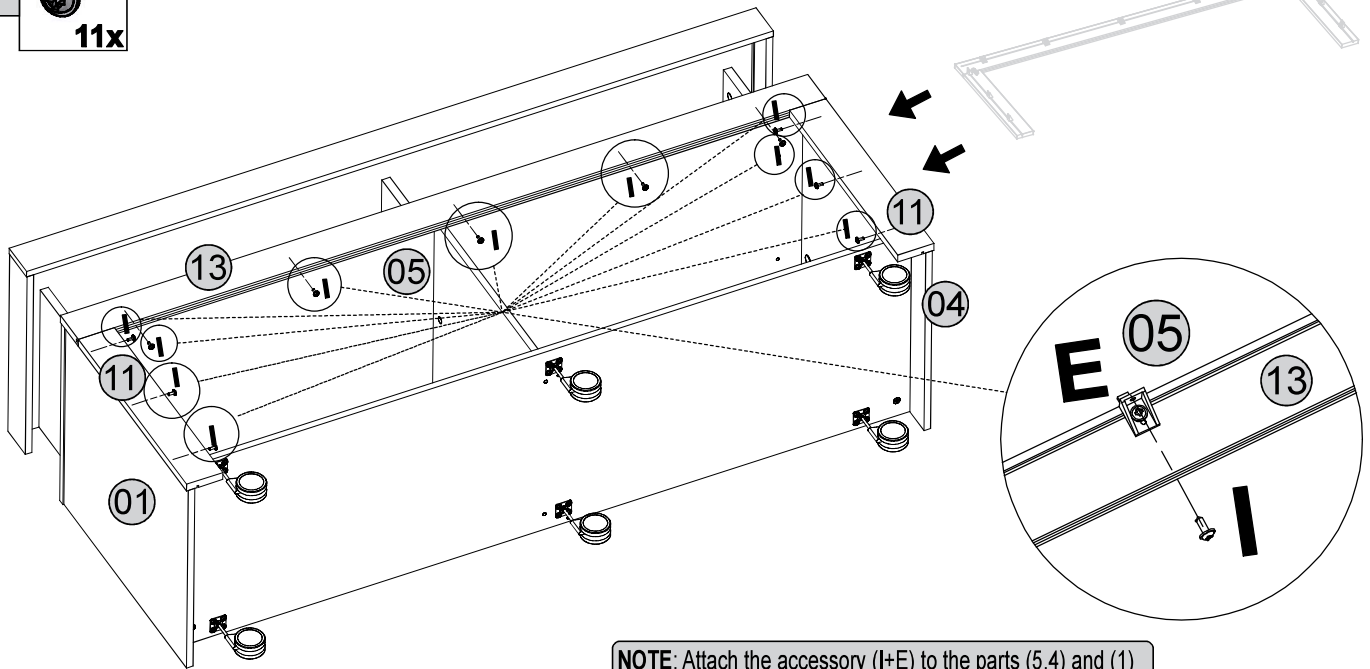
Please align the caster hole with the part as shown in the drawing. This way we will prevent the caster from sticking to the furniture's frames.

- 6°
- I 4x 



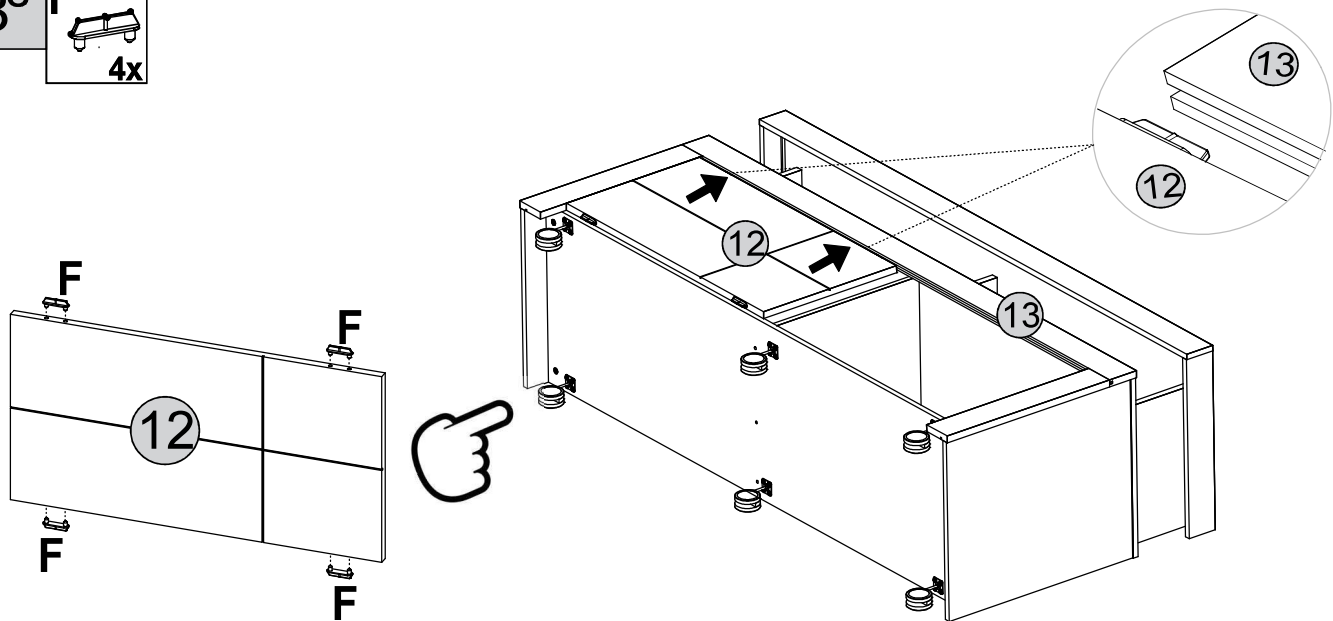
TV 114 - OKG / TV 114 - W / TV 114 - G

7° I 11x

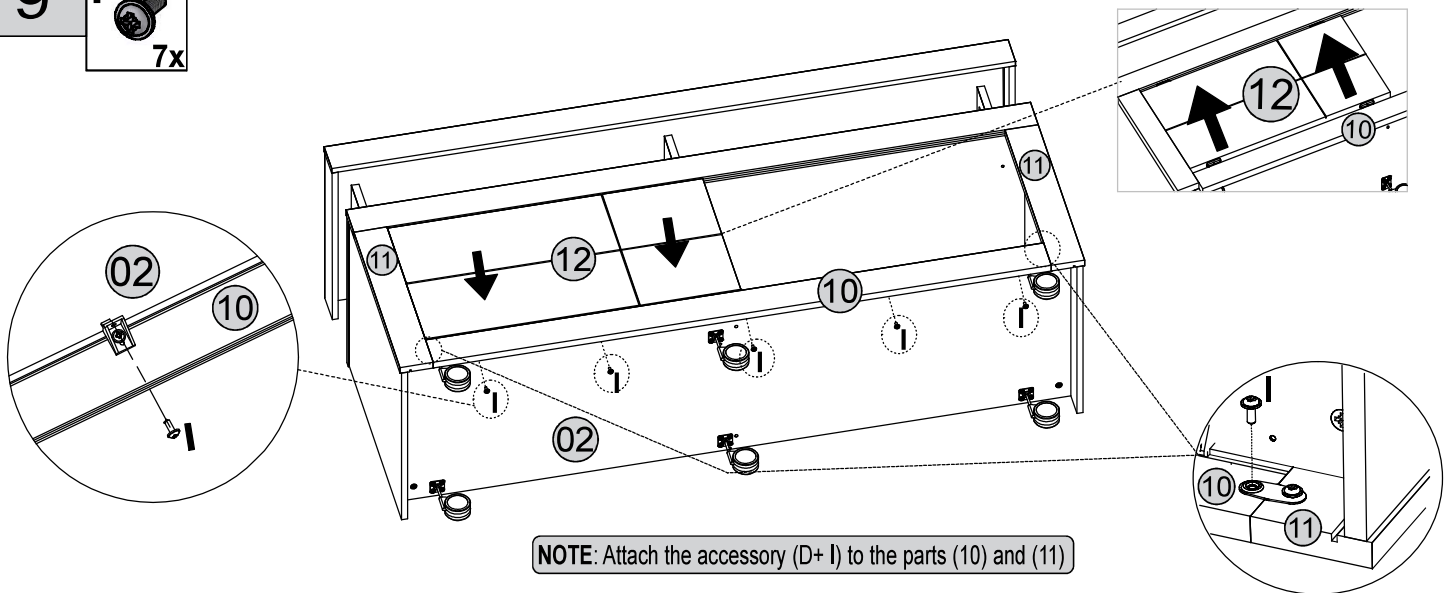


NOTE: Attach the accessory (I+E) to the parts (5,4) and (1)

8° F 4x



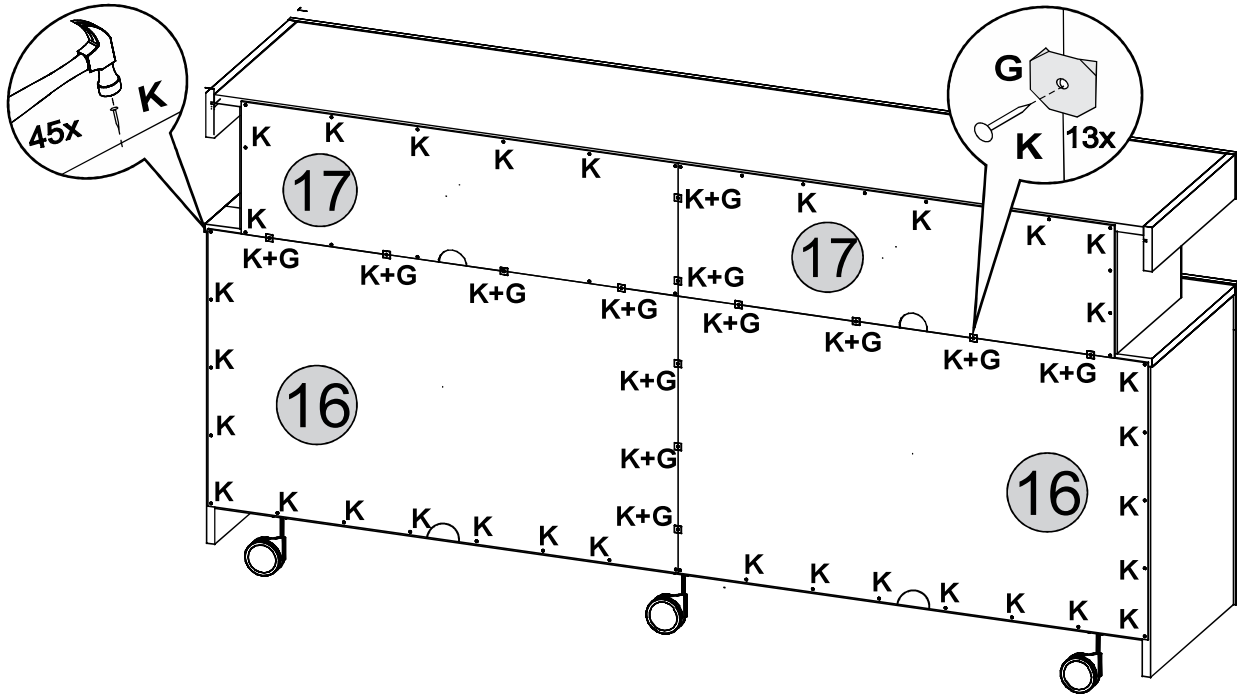
9° I 7x



NOTE: Attach the accessory (D+ I) to the parts (10) and (11)

TV 114 - OKG / TV 114 - W / TV 114 - G

10°

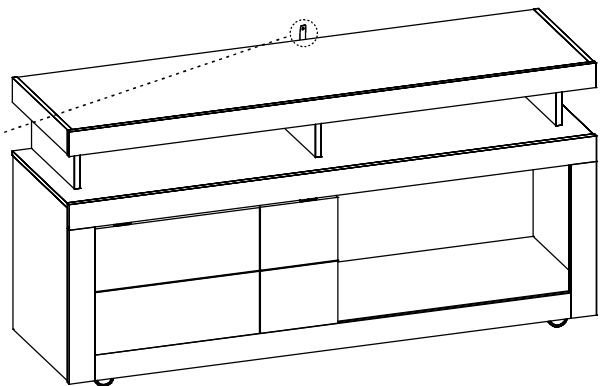
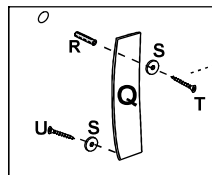


11°



IMPORTANT NOTICE

Where there is a risk of your furniture to fall forwards, especially in environments with children or uneven floors. We recommend that this item is attached to your wall using appropriate fittings.



WARNING: check for hidden pipes and cables before drilling.

IMPORTANT: if your walls are not solid like brick or stone you will require specialist fittings (not supplied).

Place fixing strip against the wall and mark position for drilling hole.

Drill hole in your wall to a depth of 30mm using a 6mm drill bit. If the surface of your wall is soft we would advise you to use a 5mm drill bit for a tighter fit.

Insert plug into hole with end flush to the wall surface.

Attach fixing strip to the wall using the 25mm screw and washer provided, securely tighten.

Pre drill a small pilot hole onto the back edge of the furniture using a 2mm drill bit. Attach the other end of the fixing strip to the back edge of the furniture using the 14mm screw and washer provided and securely tighten.