

# STL-6G



Thank you for choosing this furniture.

**BEFORE YOU START ASSEMBLY** please store the carton at room temperature for 48 hours or more so the contents can acclimatise.

**PLEASE RETAIN ALL PACKING UNTIL YOU HAVE COMPLETED ASSEMBLY.**

## CARING FOR YOUR FURNITURE.

Please avoid placing your furniture close to radiators or other direct sources of heat.

Humidity should also be avoided.

Avoid placing upholstered furniture in continued bright sunlight as this can affect the colour.

Do not lean back or stand on chairs.

Always lift your chairs as dragging may cause damage to your furniture or flooring.

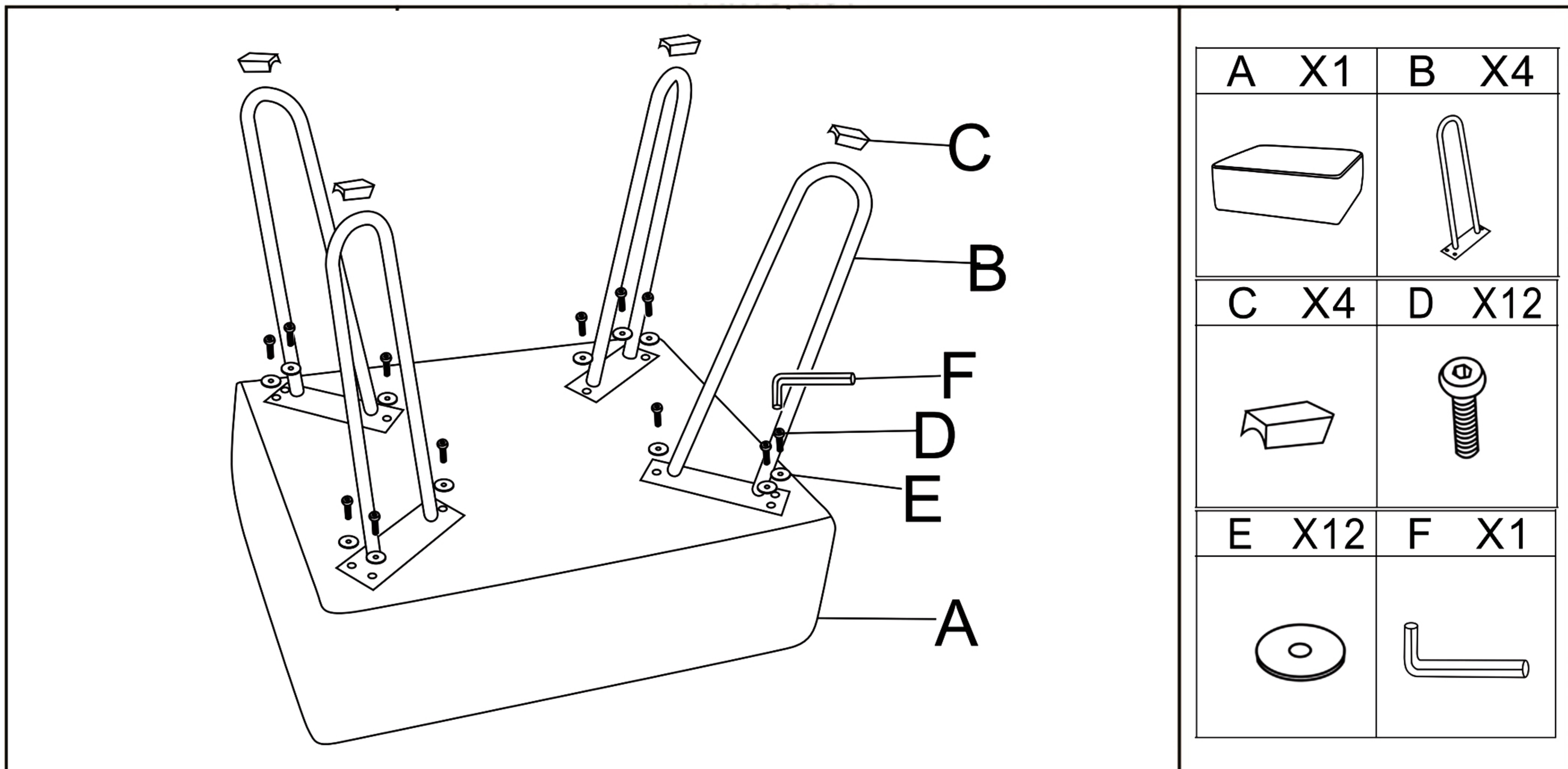
## AFTER CARE.

Any fluid spills should be removed as quickly as possible, clean using a slightly dampened cloth.

Please check the bolts occasionally and re-tighten if necessary.

**RETAIN THE ALLEN KEY TO RE-TIGHTEN BOLTS WHEN NECESSARY.**

## PARTS LIST



## BEFORE YOU START ASSEMBLY

Please check that you have all the correct parts and fittings as detailed on the assembly instructions.

## FOR DAMAGED/REPLACEMENT PARTS

Please visit

[www.coreproducts.co.uk/parts](http://www.coreproducts.co.uk/parts)

Batch  
Number

**BAZ-7017**

**PLEASE RETAIN THIS LEAFLET ALONG  
WITH YOUR DELIVERY NOTE/RECEIPT  
FOR FUTURE REFERENCE**

