

ST209



35 min

Thank you for choosing this furniture.

BEFORE YOU START ASSEMBLY please store the carton for 48 hours or more so the contents can acclimatise.

PLEASE RETAIN ALL PACKING UNTIL YOU HAVE COMPLETED ASSEMBLY.

Information about your furniture.

This furniture range has been carefully crafted from solid wood, MDF and reconstituted natural stone.

Each piece is hand crafted and has unique characteristics in its finish. These are part of the natural character of the furniture itself.

Caring for your furniture.

Extreme temperature can cause slight movements in the wood framework so please avoid placing your furniture close to radiators or other direct sources of heat. Please avoid exposing your furniture to continued bright sunlight as this can affect the colour.

Any fluid spills should be removed as quickly as possible. Always lift your furniture when moving as dragging may cause damage to your furniture or flooring. Always use place mats, coasters or tablecloths to help protect against scratches and accidentally dropped items.

Always use heat resistant mats when placing hot or cold items on to table surfaces.

After care.

Wipe all surfaces with a dry cloth and the occasional use of a normal household furniture polish.

For furniture with drawers we also recommend you use household spray polish occasionally on the drawer side grooves and runners as this will aid use. Please do not use detergents or chemicals on your furniture.

Do not sit or stand on glass surfaces.

Specialist care.

Natural stone can be marked with continual use by contact with rough surfaced objects or strong coloured fluids.

If you have concerns about this we would advise seeking advice from stone specialists who can apply specialised stone sealant treatments.

PARTS LIST

	A = x20 Dowel
	B = x15 40mm Screw
	C = x28 25mm Screw
D = x16 Nail	
E = x2 Handle	
F = x2 Bolt	

BEFORE YOU START ASSEMBLY

Please check that you have all the correct parts and fittings as detailed on the assembly instructions.

FOR DAMAGED/REPLACEMENT PARTS

Please visit www.coreproducts.co.uk/parts

Batch Number:

PLEASE RETAIN THIS LEAFLET ALONG WITH YOUR DELIVERY NOTE/RECEIPT FOR FUTURE REFERENCE

1

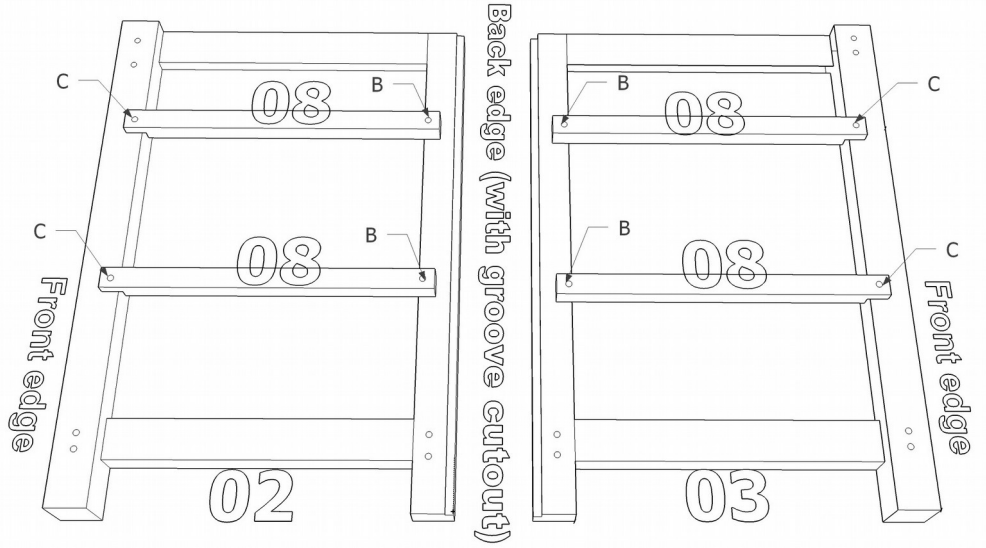
Tip: during assembly place unit onto a work surface with a clean cover



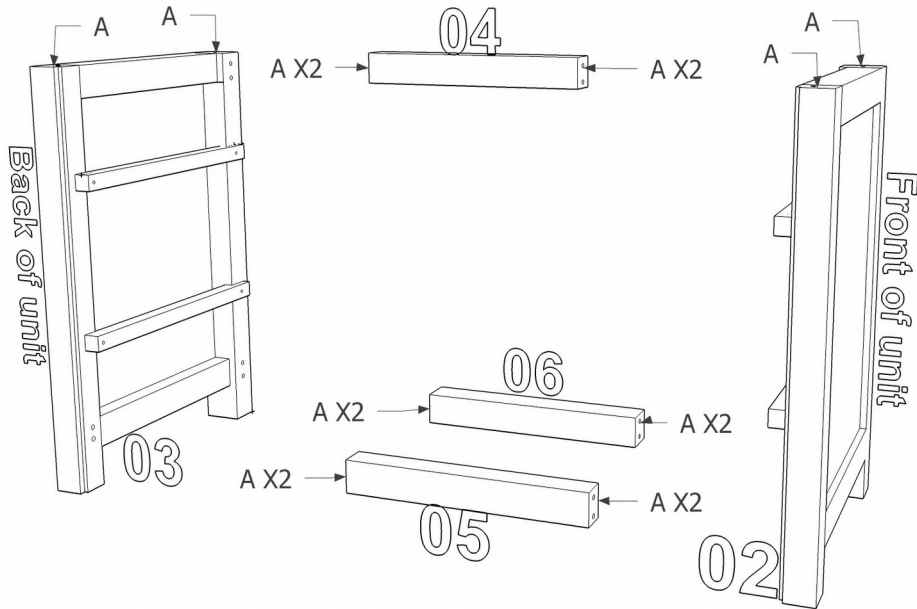
B = x4
40mm Screw



C = x4
25mm Screw

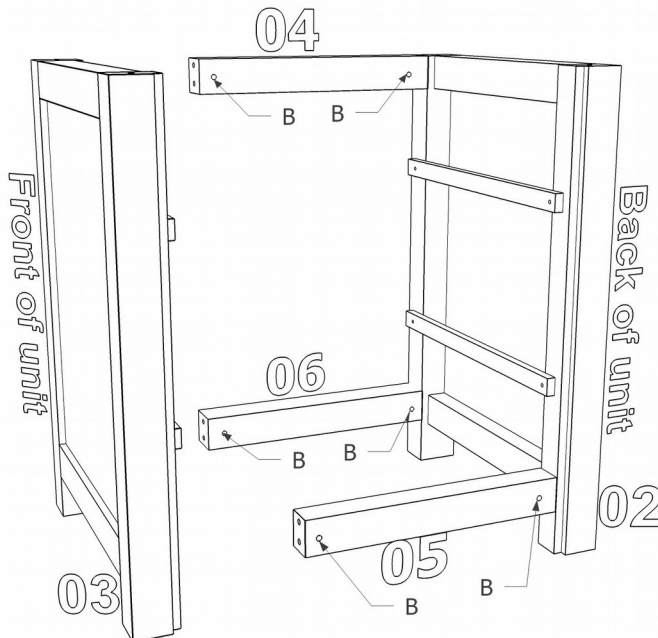


2



A = x16
Dowel

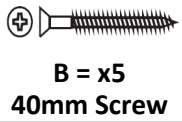
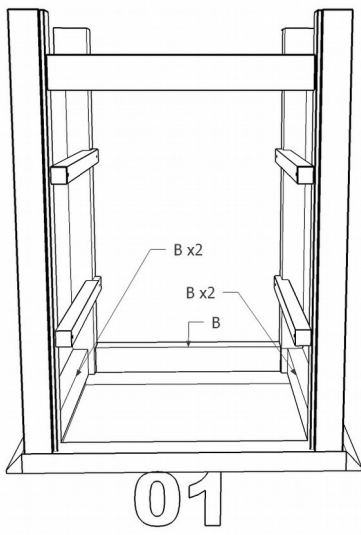
3



B = x6
40mm Screw

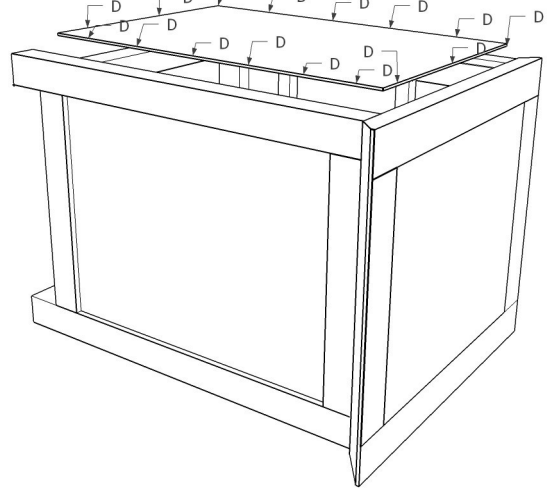


4



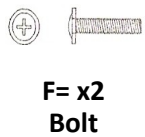
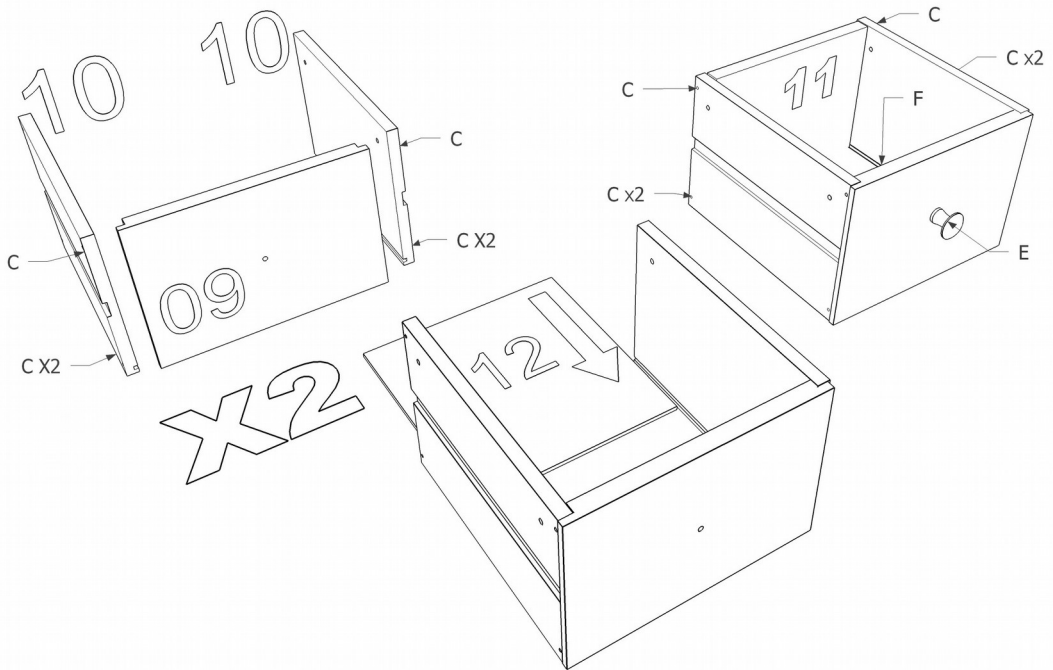
Tip: during assembly
place unit onto a work
surface with a clean cover

5



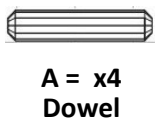
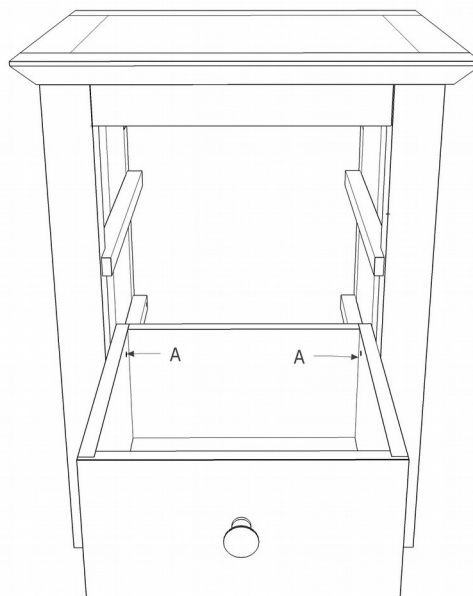
Tip: Place top of unit over the edge
of the work surface to ensure the
top does not mark during assembly

6



7

Tip: insert dowels from the inside
of the drawers, pushing through
so they sit level with the inside of
the drawer side.
Repeat for all drawers



WARNING! TIPPING HAZARD – Unanchored furniture can tip over

WARNING: CHECK FOR HIDDEN PIPES AND CABLES BEFORE DRILLING.

IMPORTANT: IF YOUR WALLS ARE NOT SOLID LIKE BRICK OR STONE, YOU WILL REQUIRE SPECIALIST FITTINGS (NOT SUPPLIED)

- Attach fixing strip to the wall using the 25mm screw + washer and securely tighten;
- Pre-drill small pilot hole on the back edge of the furniture top using a 2mm drill bit. Attach the other end of the fixing strip to the back edge of the furniture top using the 15mm screw + washer and securely tighten.
- Place fixing strip against the wall and mark position for drilling hole.
- Drill hole in your wall to a depth of 30mm using a 6mm drill bit. If the surface of your wall is soft and crumbly, we would advise you to use a 5mm drill bit for a tighter fit.
- Insert plug into hole with end flush to the wall surface;

8



C = x1
25mm Screw



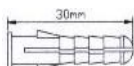
X = x1
15mm Screw



Z = x2
Washer



Y = x1
Wall Tie



W = x1
Wall Plug

WALL

