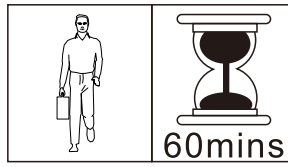
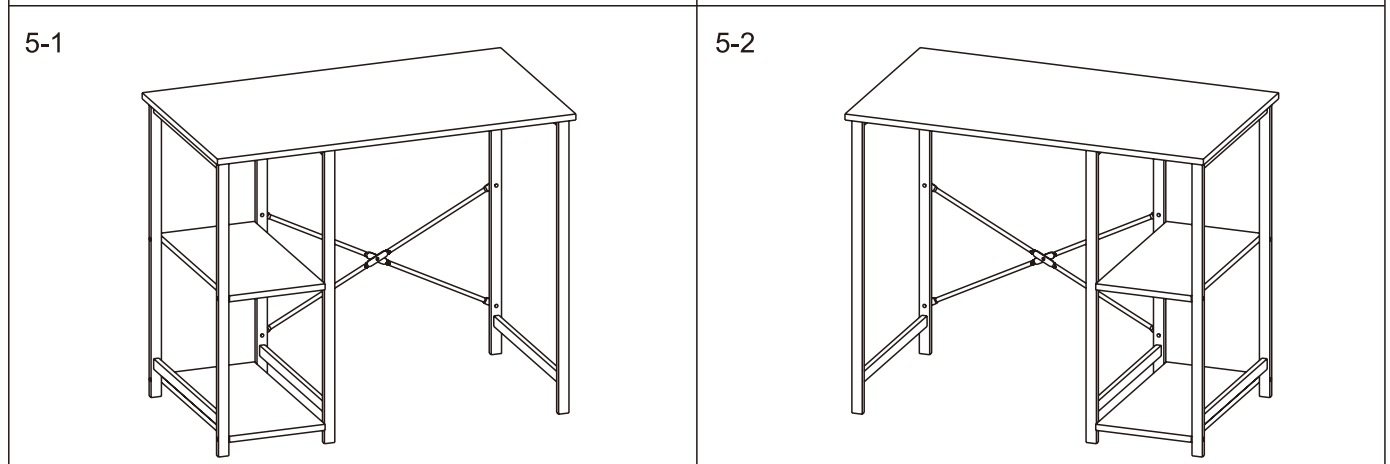
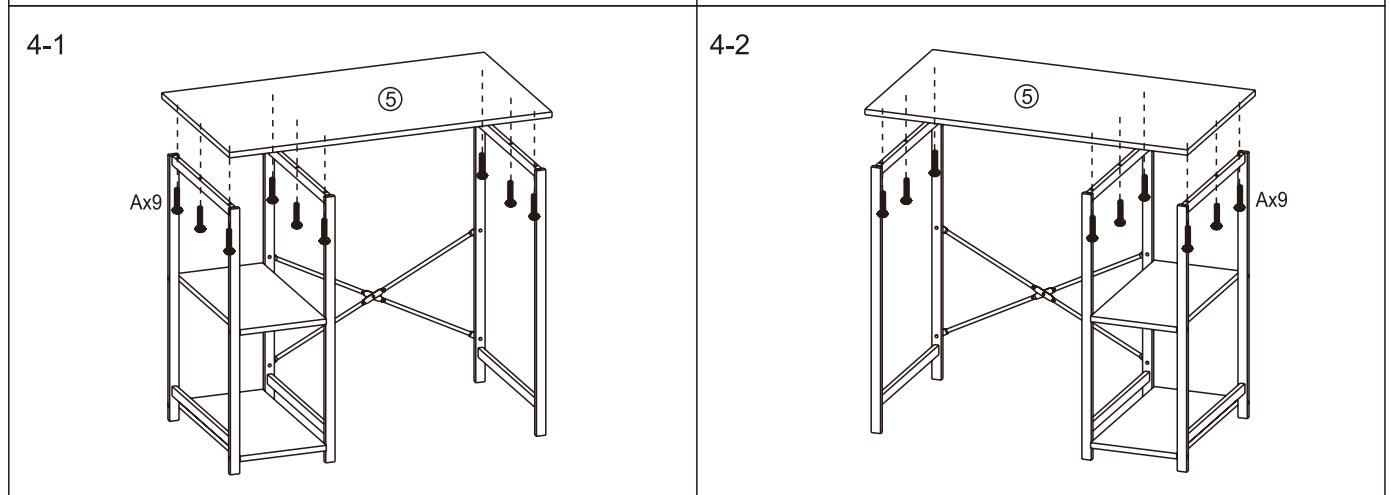
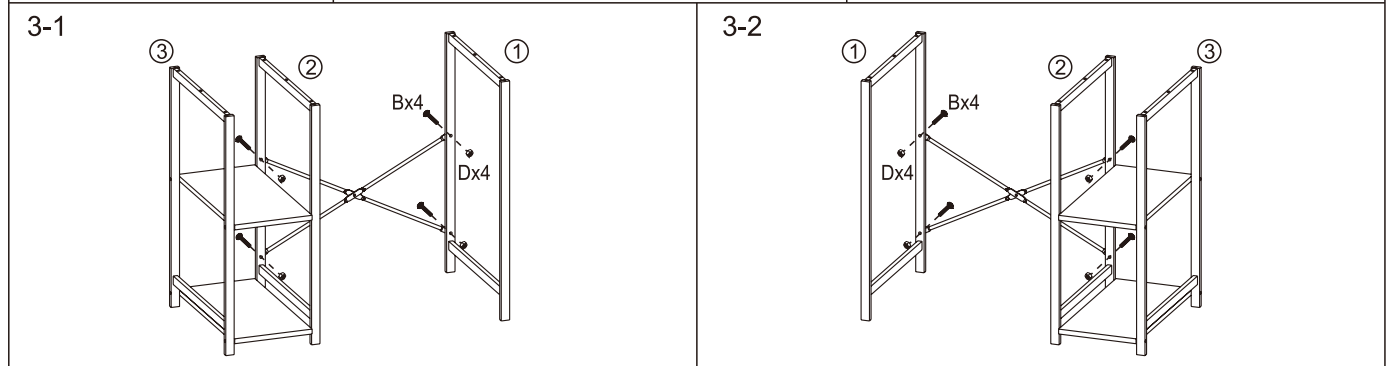
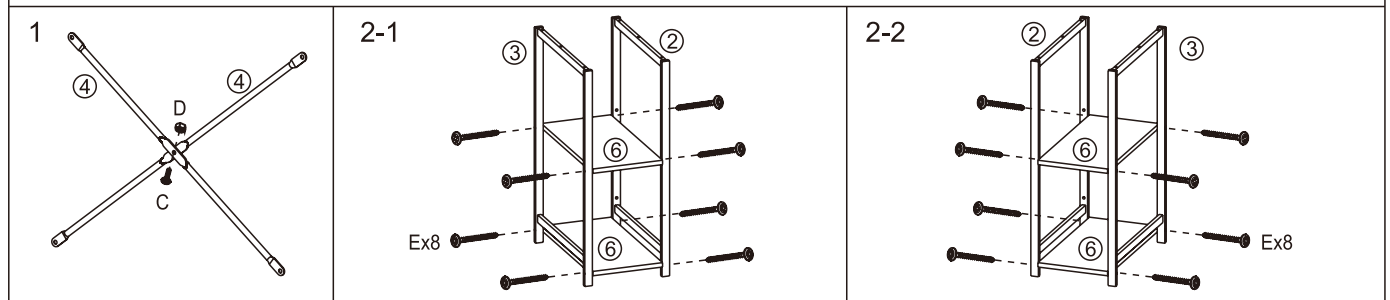
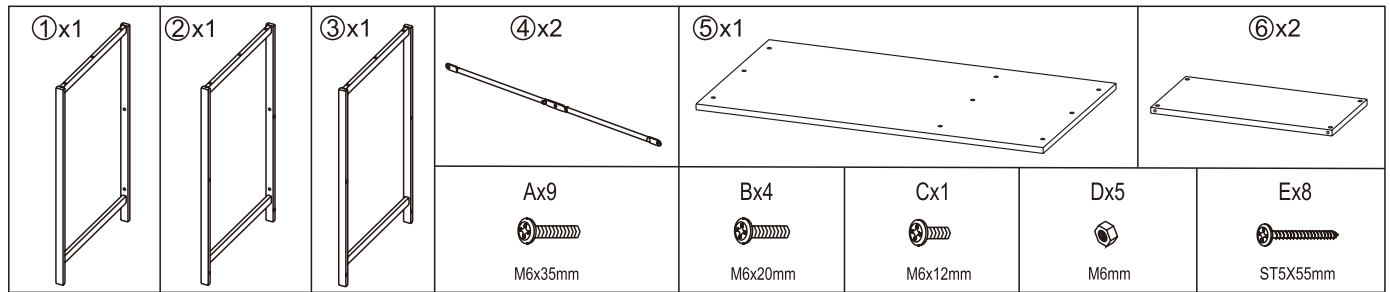


LFDSK-01



PLEASE RETAIN ALL
PACKING UNTIL YOU
HAVE COMPLETED
ASSEMBLY.



Notes for installation: Place **ALL** screws into the appropriate position and then tighten. **DO NOT** place and tighten one by one. If the desk comes with plastic caps, place over screws to cover holes.

PREVENTIVE MAINTENANCE AND WARNING

- DO NOT USE DESK AS STEP STOOL OR LADDER
- DO NOT USE DESK UNLESS ALL BOLTS AND SCREWS ARE TIGHT.
- AT LEAST EVERY SIX MONTHS CHECK ALL BOLTS AND SCREWS TO BE SURE THEY ARE TIGHT.
- IF ANY PARTS ARE MISSING, BROKEN, DAMAGED OR WORN, STOP USING THE PRODUCT UNTIL REPAIRS ARE MADE WITH FACTORY AUTHORISED PARTS.
- FAILURE TO FOLLOW THESE WARNINGS CAN RESULT IN SERIOUS INJURY

BEFORE YOU START ASSEMBLY

Please check that you have all the correct parts and fittings as detailed in the Parts List above.

In the unlikely event that you require to order spare parts please refer to your delivery note for details of how to order on our Parts Website.

www.coreproducts.co.uk/parts

BATCH NUMBER GOLD6964

For further advice you can telephone 01738 630555

PLEASE RETAIN THIS INSTRUCTION LEAFLET FOR FUTURE REFERENCE.