

Woodpecker
Brushless Endo Motor

Endo Pace



Woodpecker Brushless Endo Motor

Endo Pace

- **Lightweight handpiece**
Easy preparation
- **Brushless motor**
Strong power
- **10 times the service life of brush motor**



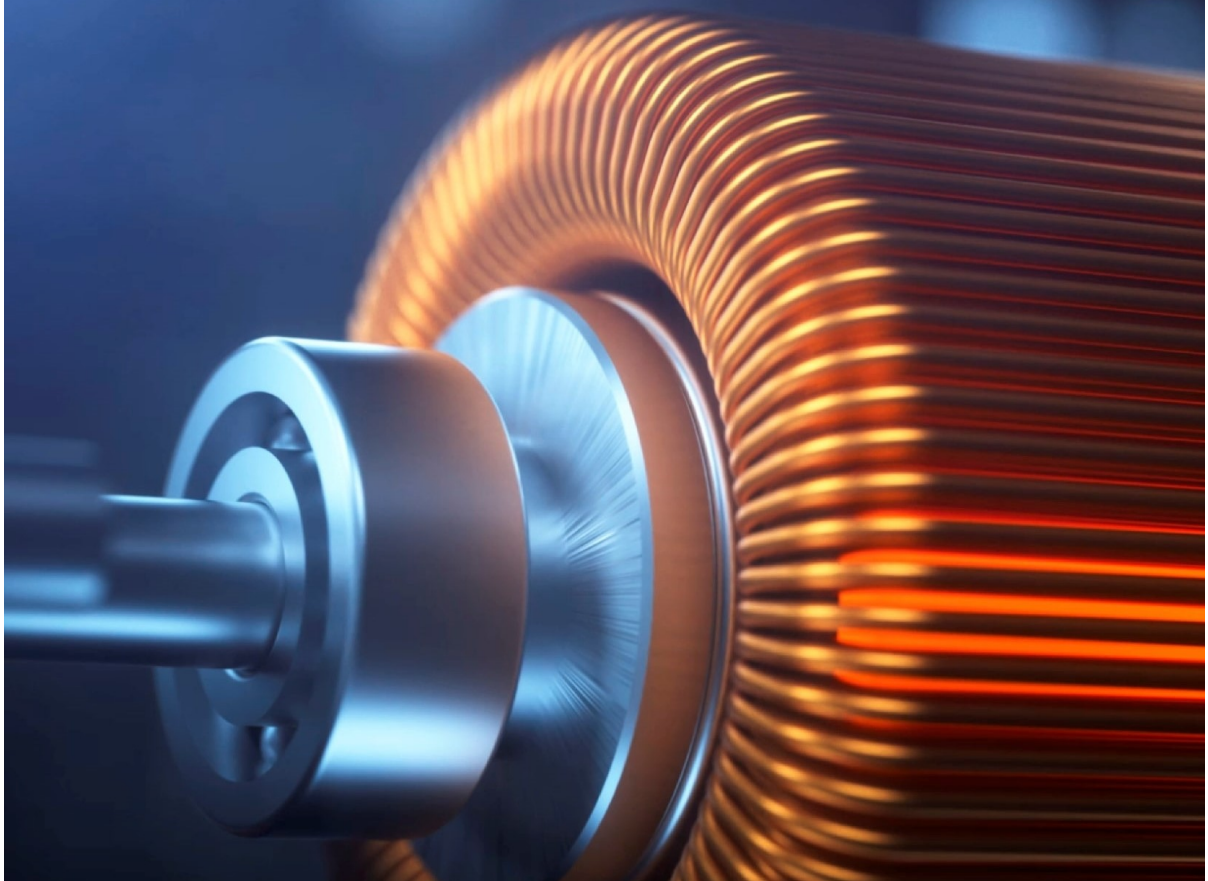
High performance brushless motor

High torque and fast response

More accurate and more stable output,
enabling more efficient preparation

Speed: 100rpm-1500rpm

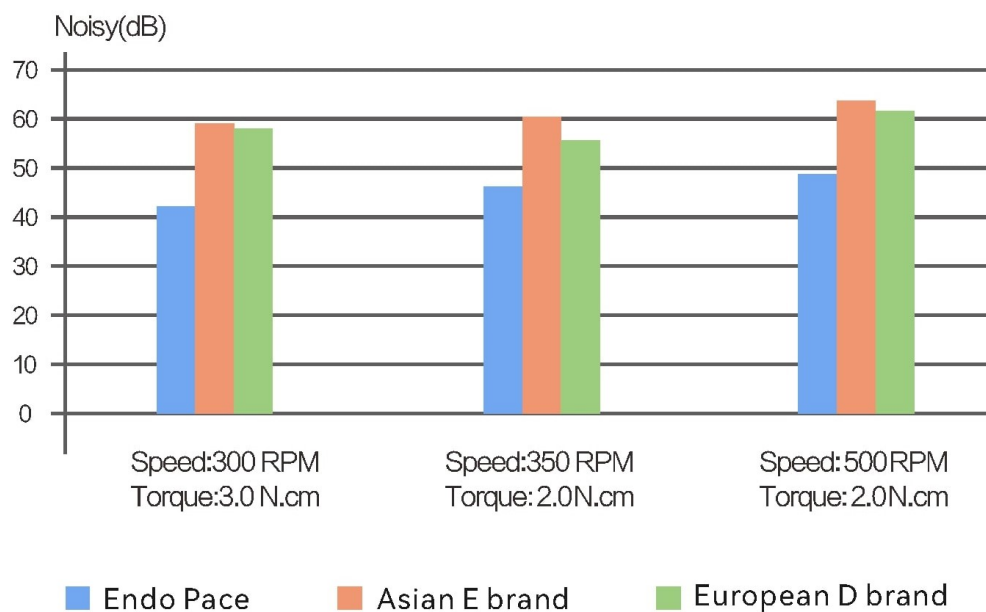
Torque: 0.4N.com-4.2N.cm



High performance brushless motor for low wear, low heat and longer service life

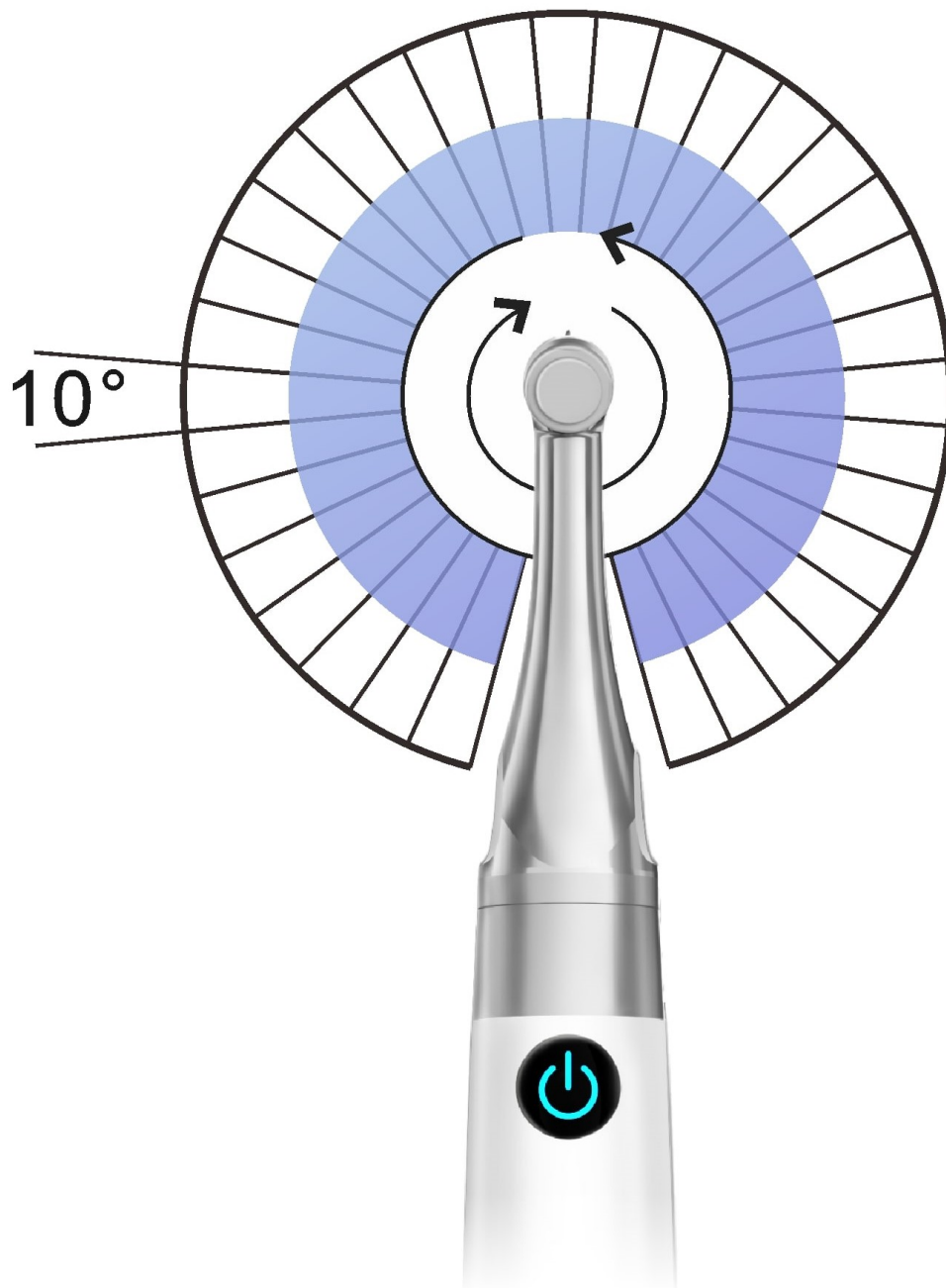
10 times the service life of brush motor.

Smoother rotation and lower noise.
Stable cutting can still be ensured at
the narrow or curved apex.



Adjustable reciprocating angle with 10° interval
Adjustment range of forward and reverse
reciprocating angle: 20°- 340°

Accurate control of the rotation angle reduces
the risk of instrument separation
and enables more efficient
and safer preparation.



Lightweight cordless handpiece offers better hand feeling

Weight: 106.8g (handpiece+contra-angle)

Control the handpiece with wireless signal, without the restraint of tail cord

Well-balanced design allows easier preparation



6:1 mini contra-angle delivers broader operation field

Compact but powerful

6:1 speed ratio ensures low speed
and stable rotation under high torque

Head height: 9.7mm

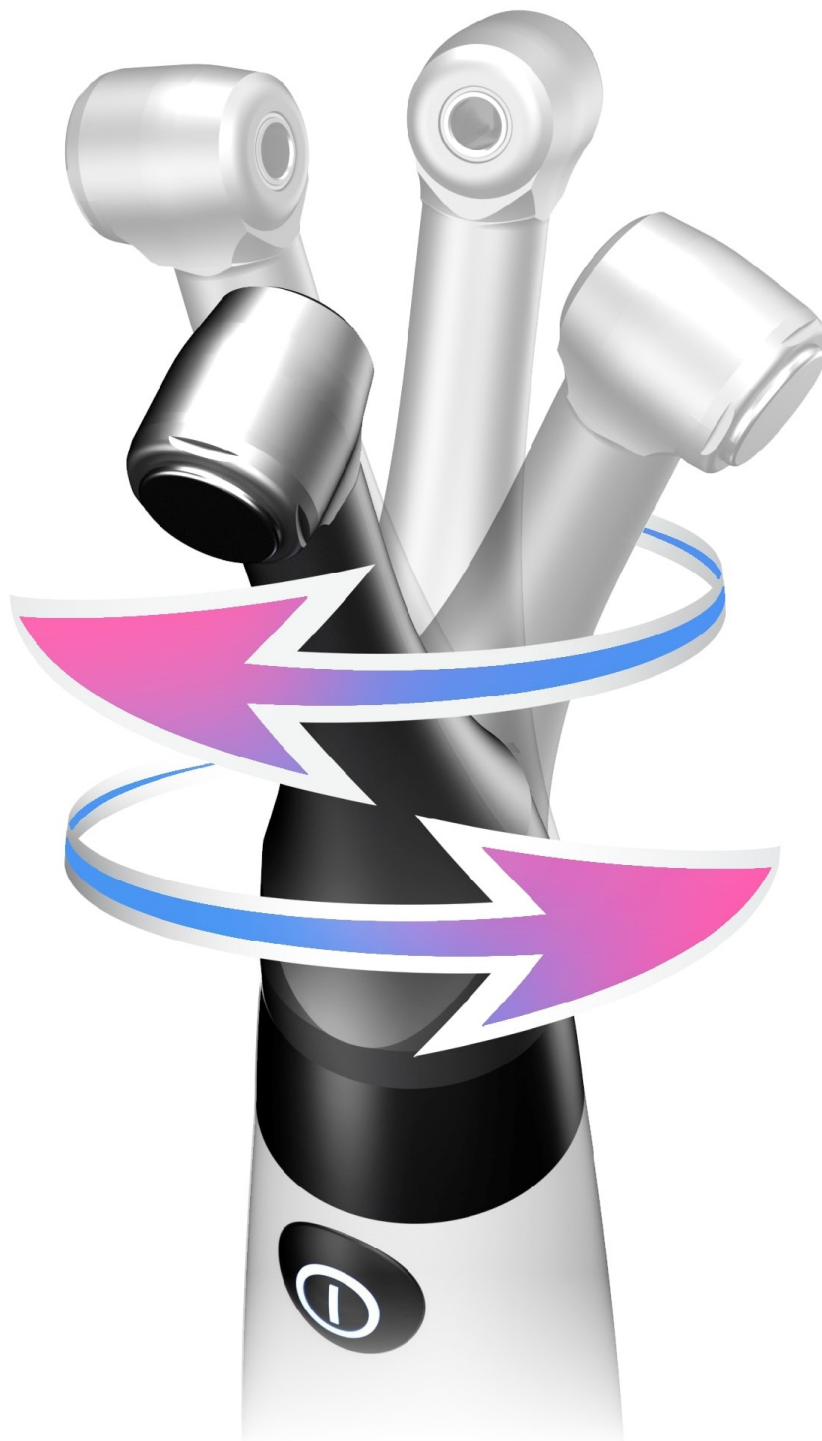
Head diameter: 8mm

Neck diameter: 6mm



360° rotatable contra-angle

More flexible operation,
facilitating the preparation of teeth
at different positions



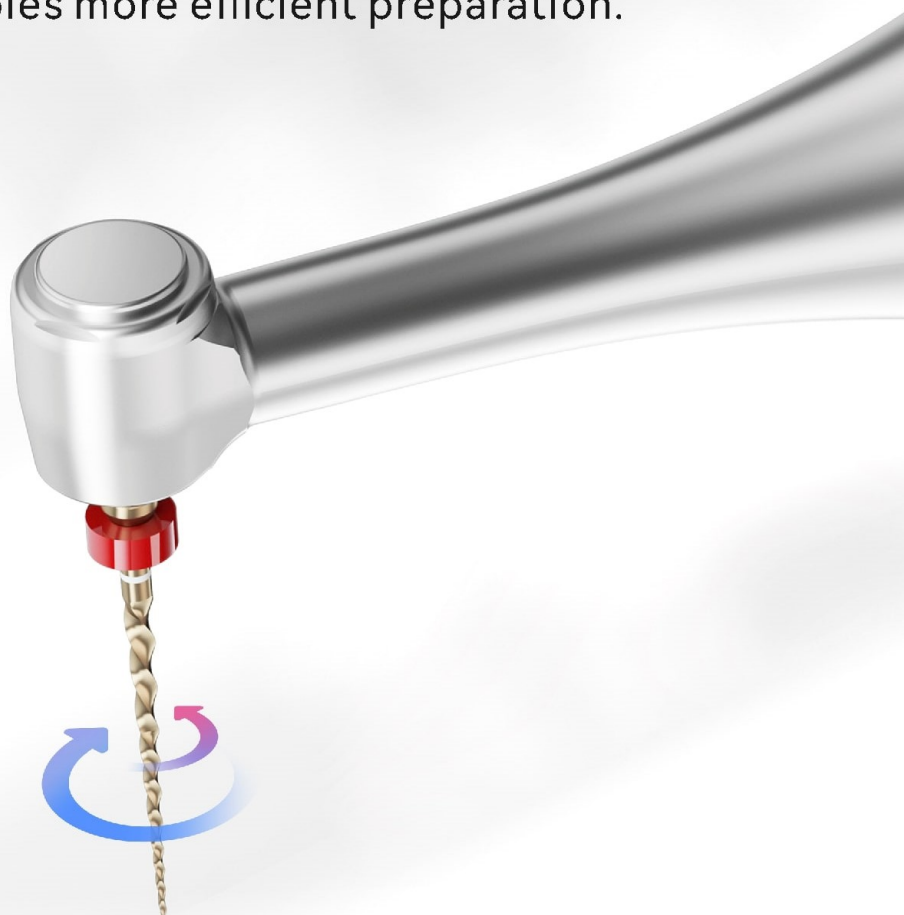
4 working modes guarantees safer and more efficient preparation

Forward rotation mode / Reverse rotation mode
Reciprocating mode / ATR mode

ATR mode

The file reciprocates per set angle
after reaching the preset torque.

Accurate control of the rotation angle reduces
the risk of instrument separation
and enables more efficient preparation.



Can be connected to an Apex Locator

