

HERA DRESSER

Assembly instructions

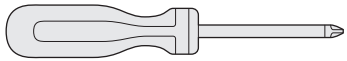
IMPORTANT: Please read carefully and retain for future reference

TOOLS



Allen key

Supplied



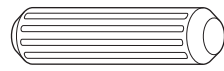
Cross head screwdriver

Not supplied

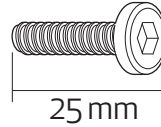
IMPORTANT: Keep all fittings and components not used in a safe place away from young children for future use.

FITTINGS

A x26



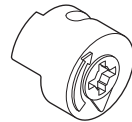
C x18



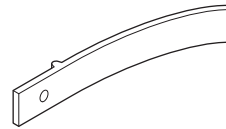
D x44



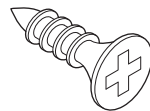
E x44



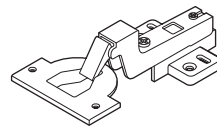
F x6



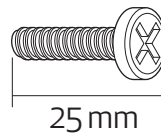
G x18



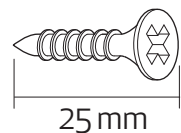
H x2



I x3

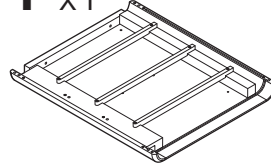


J x1

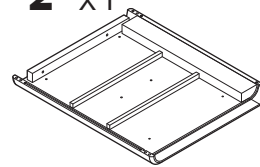


COMPONENTS

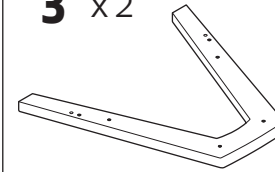
1 x1



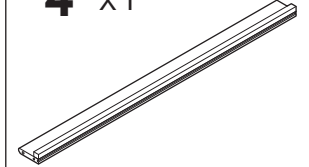
2 x1



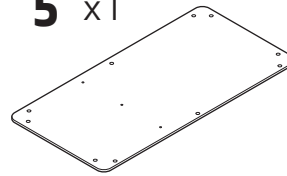
3 x2



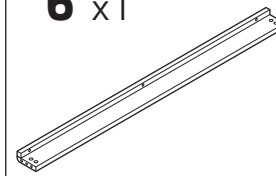
4 x1



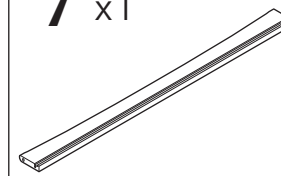
5 x1



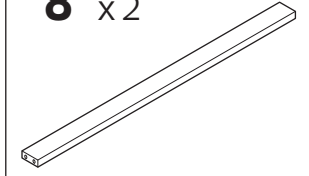
6 x1



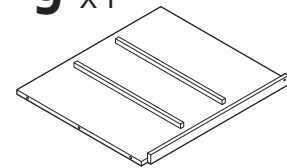
7 x1



8 x2



9 x1



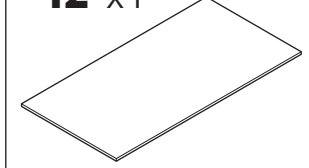
10 x1



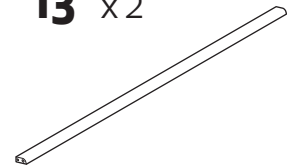
11 x1



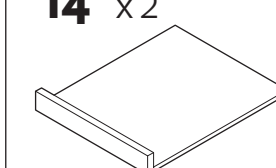
12 x1



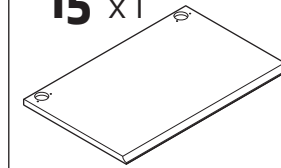
13 x2



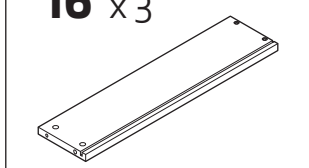
14 x2



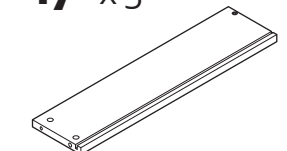
15 x1



16 x3



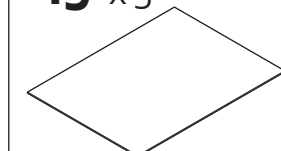
17 x3



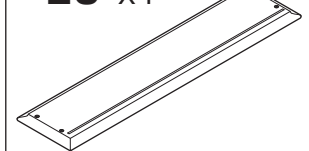
18 x3



19 x3



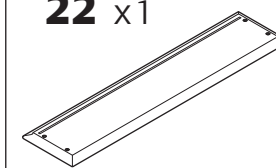
20 x1



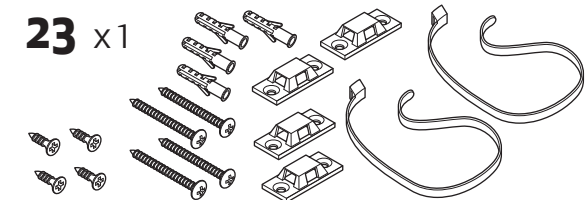
21 x1



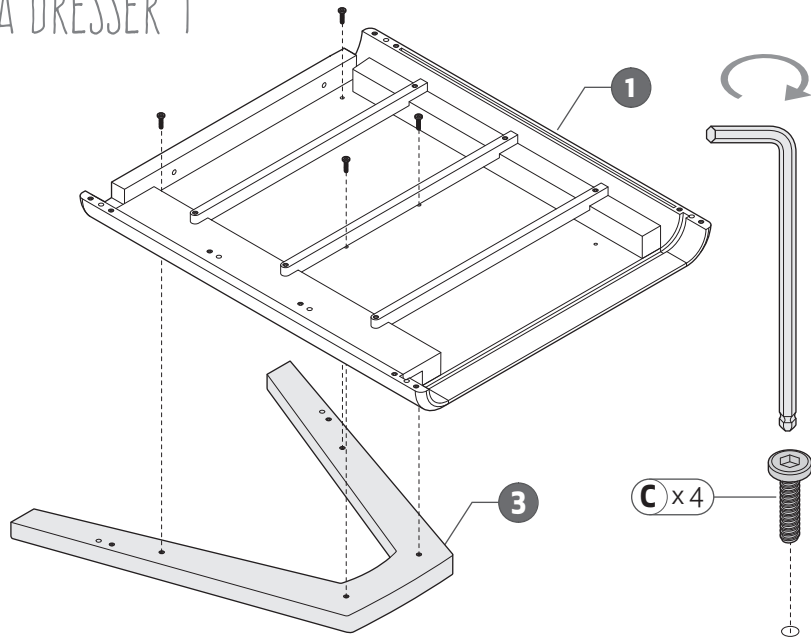
22 x1



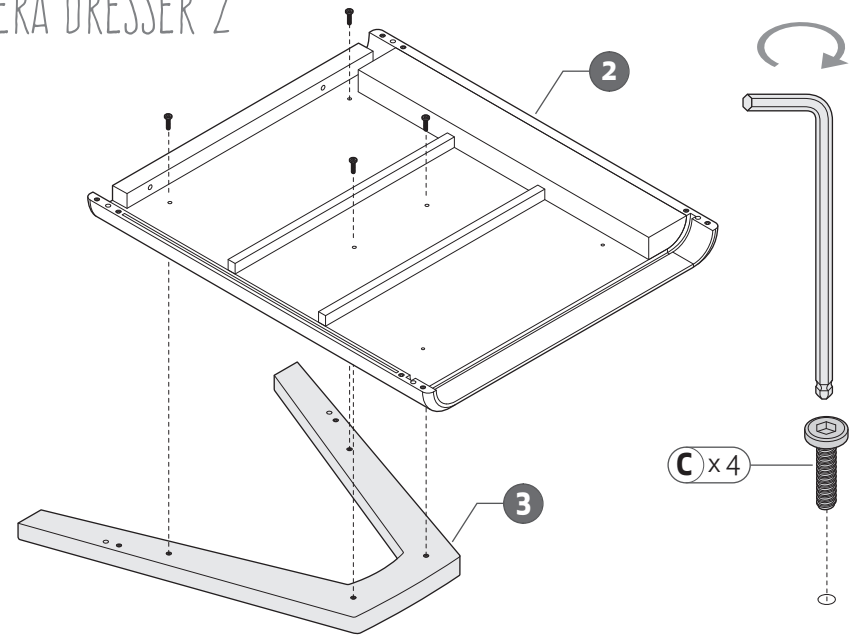
23 x1



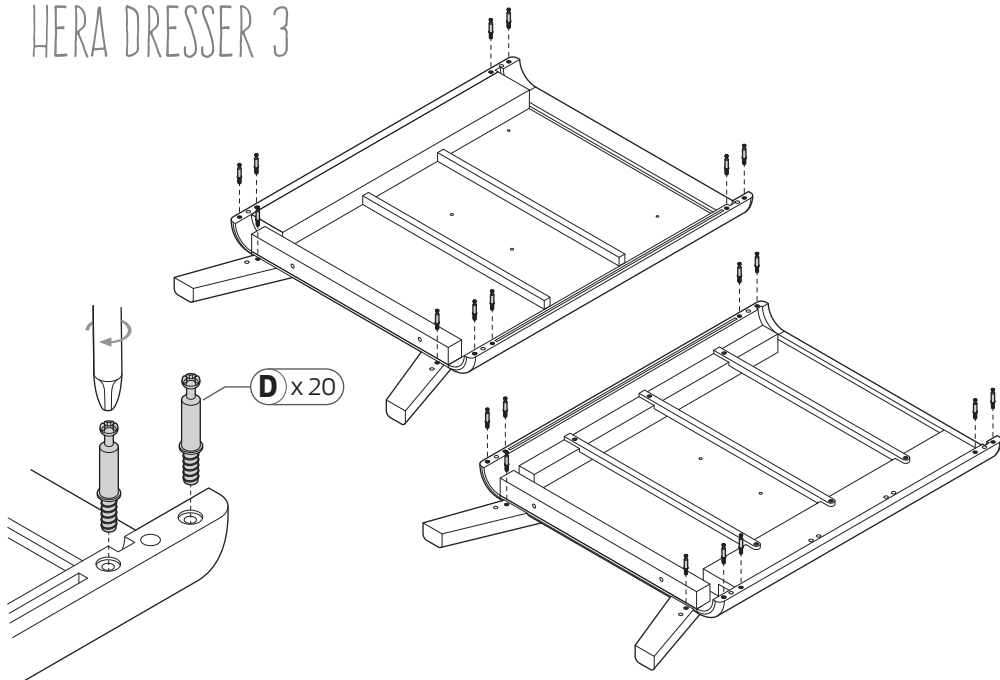
HERA DRESSER 1



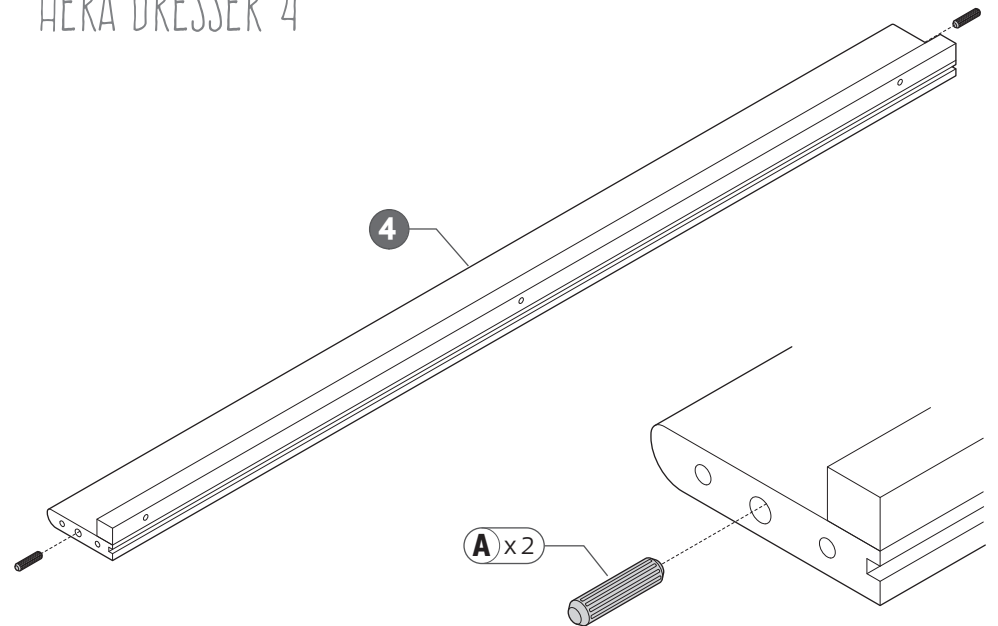
HERA DRESSER 2



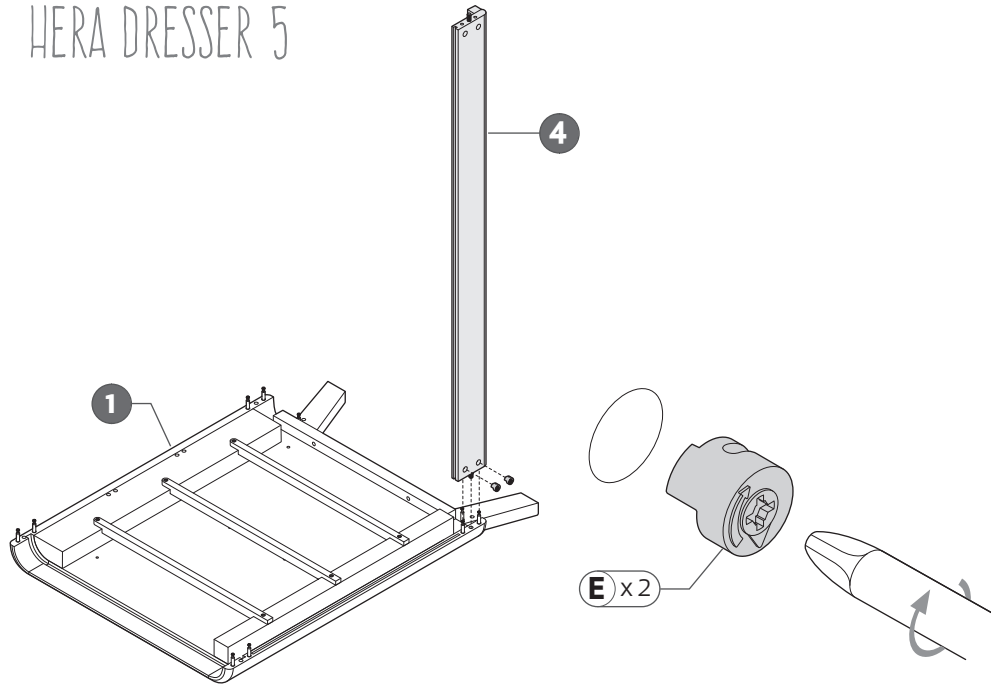
HERA DRESSER 3



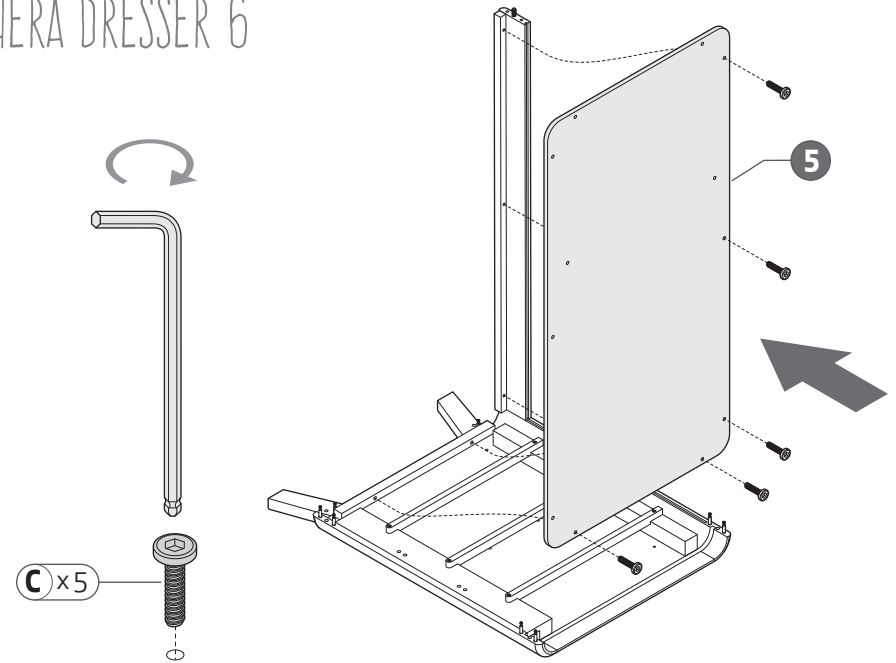
HERA DRESSER 4



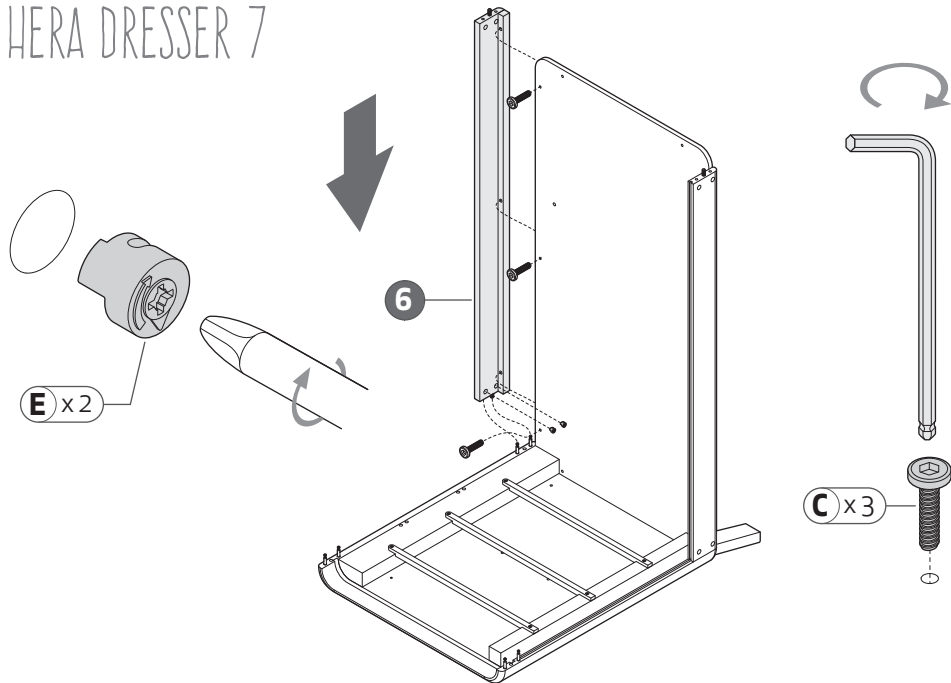
HERA DRESSER 5



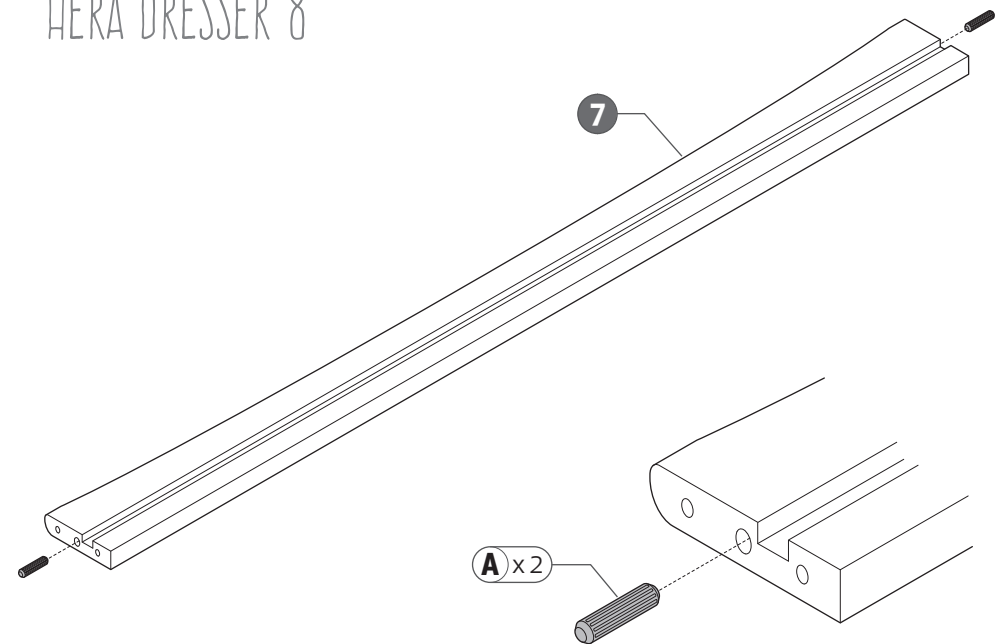
HERA DRESSER 6



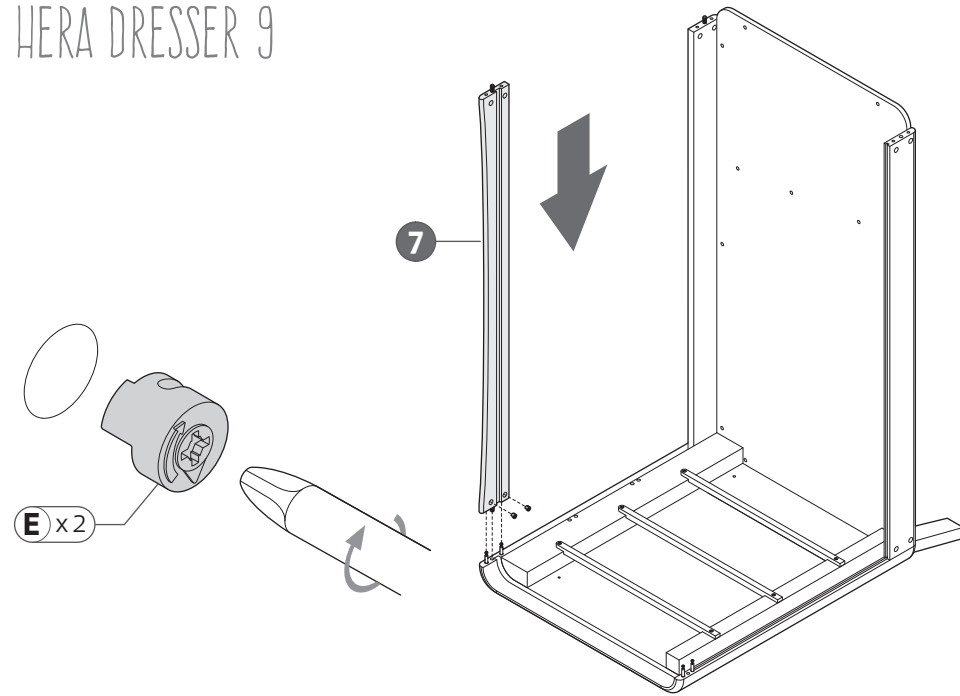
HERA DRESSER 7



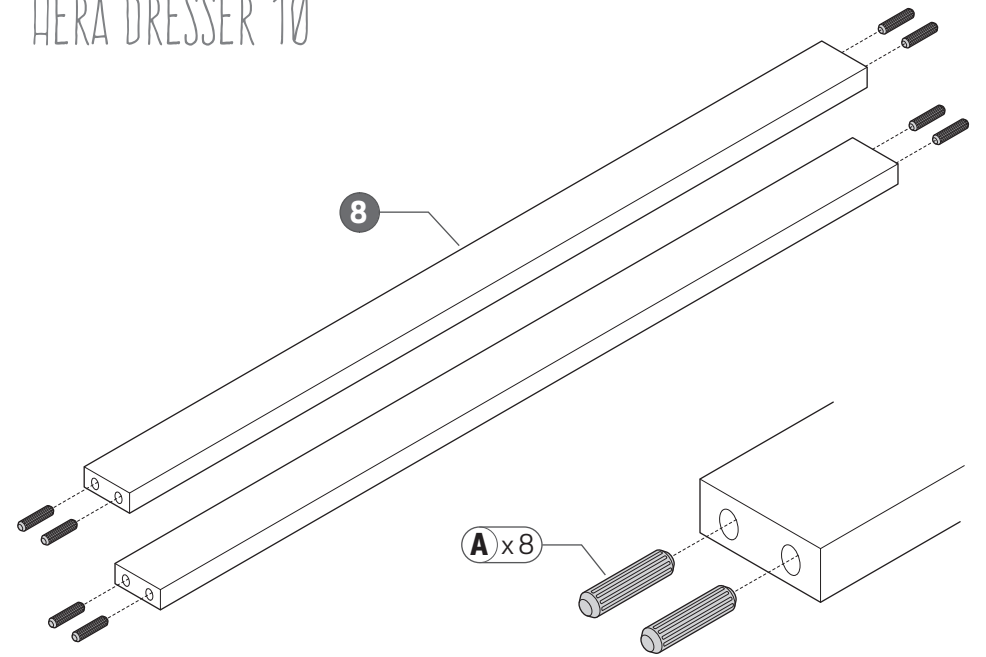
HERA DRESSER 8



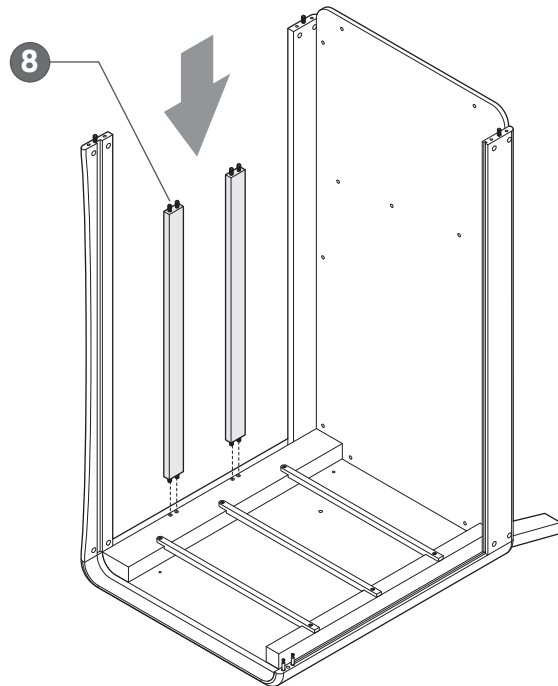
HERA DRESSER 9



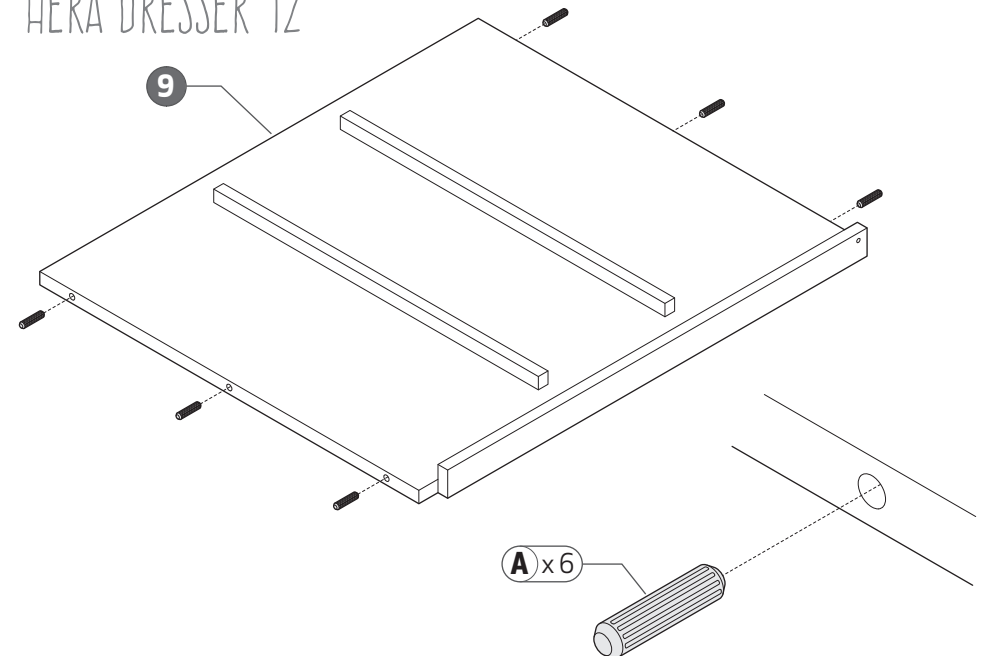
HERA DRESSER 10



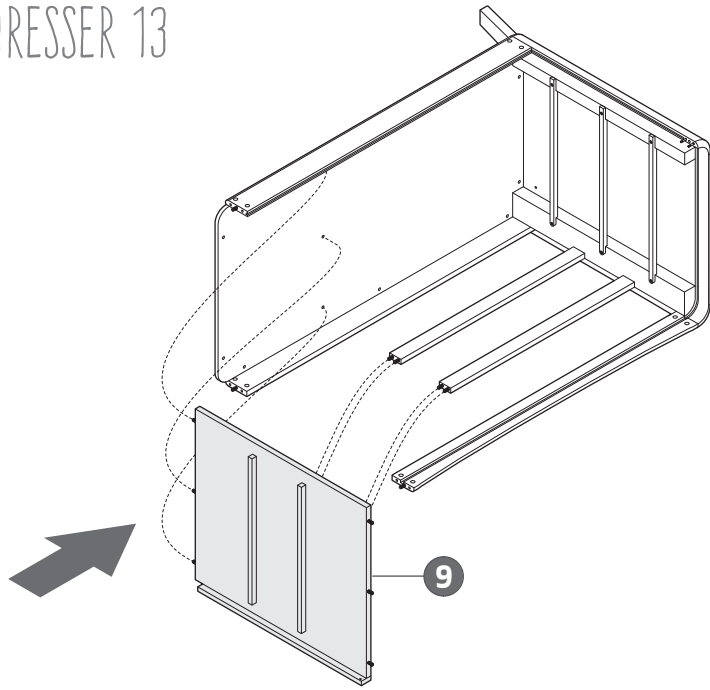
HERA DRESSER 11



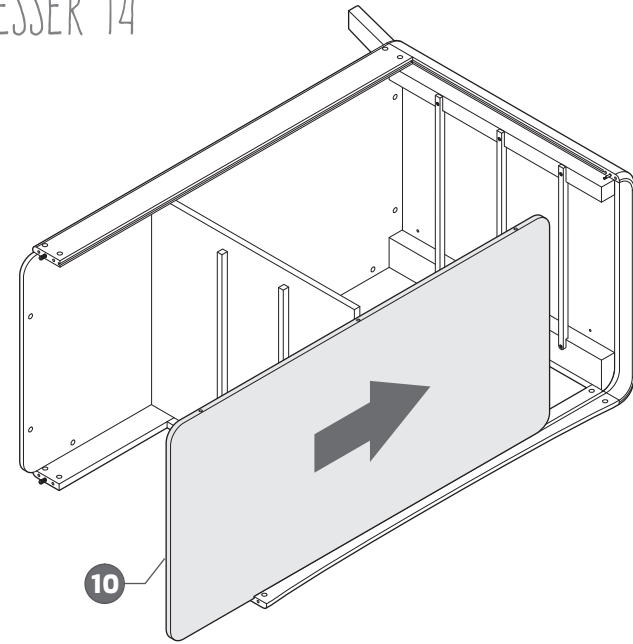
HERA DRESSER 12



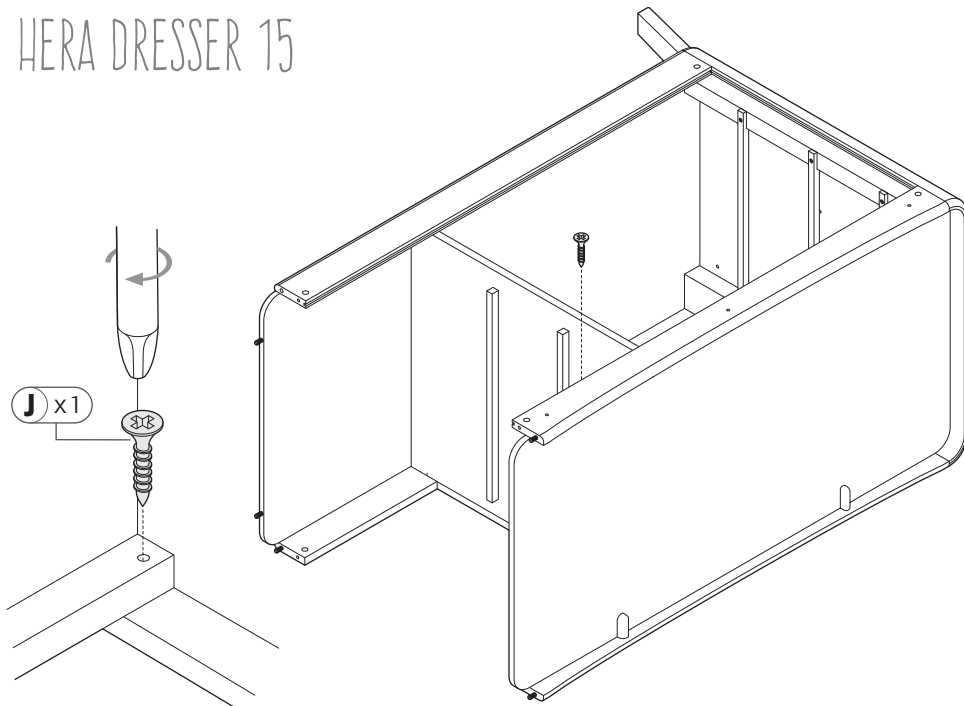
HERA DRESSER 13



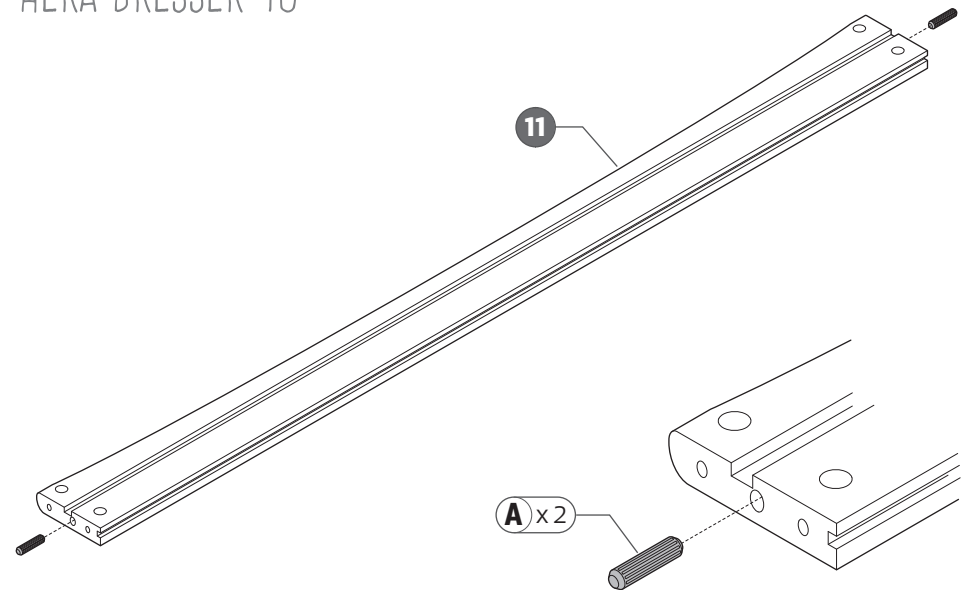
HERA DRESSER 14



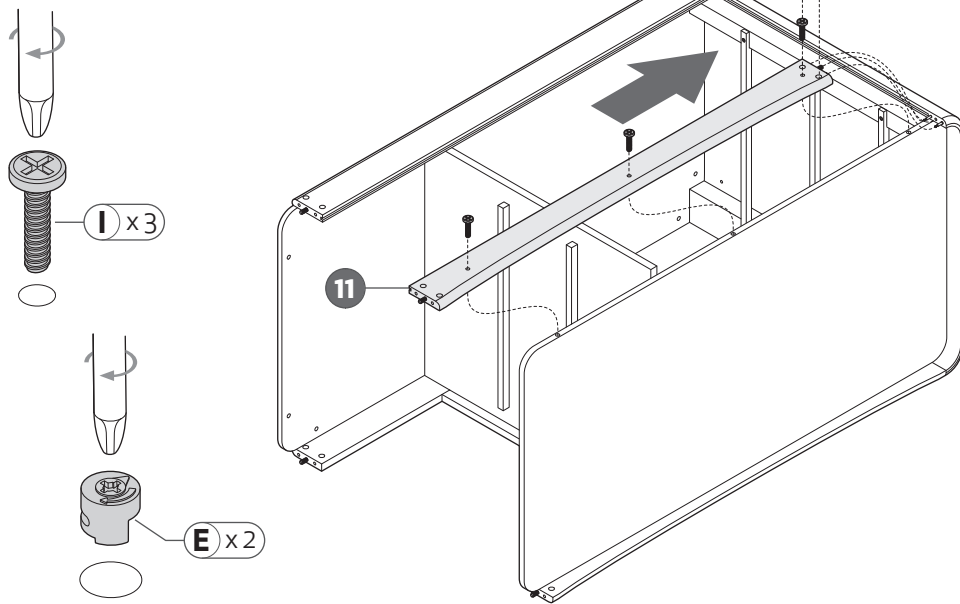
HERA DRESSER 15



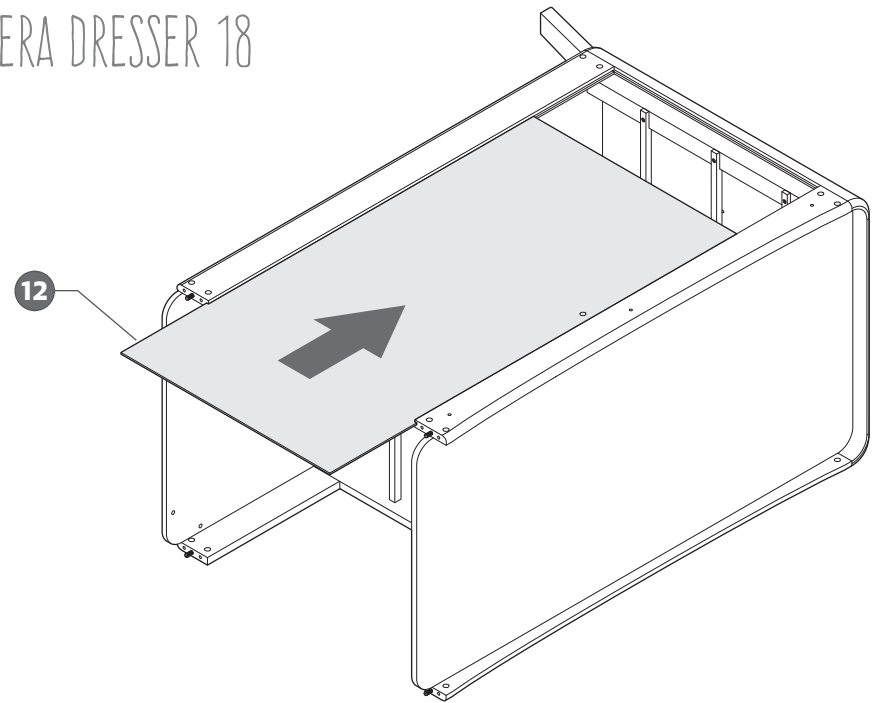
HERA DRESSER 16



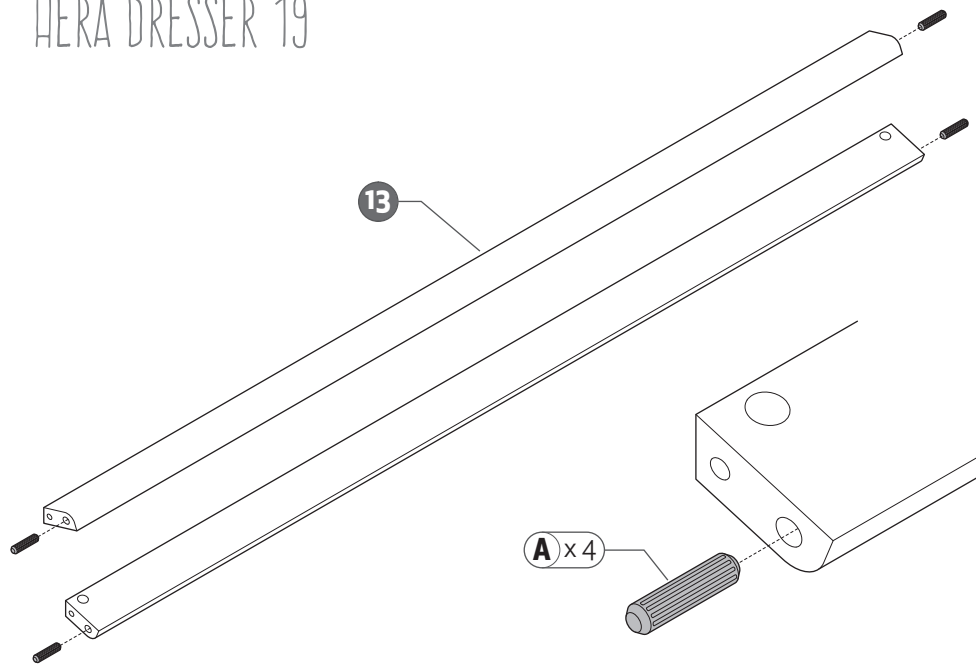
HERA DRESSER 17



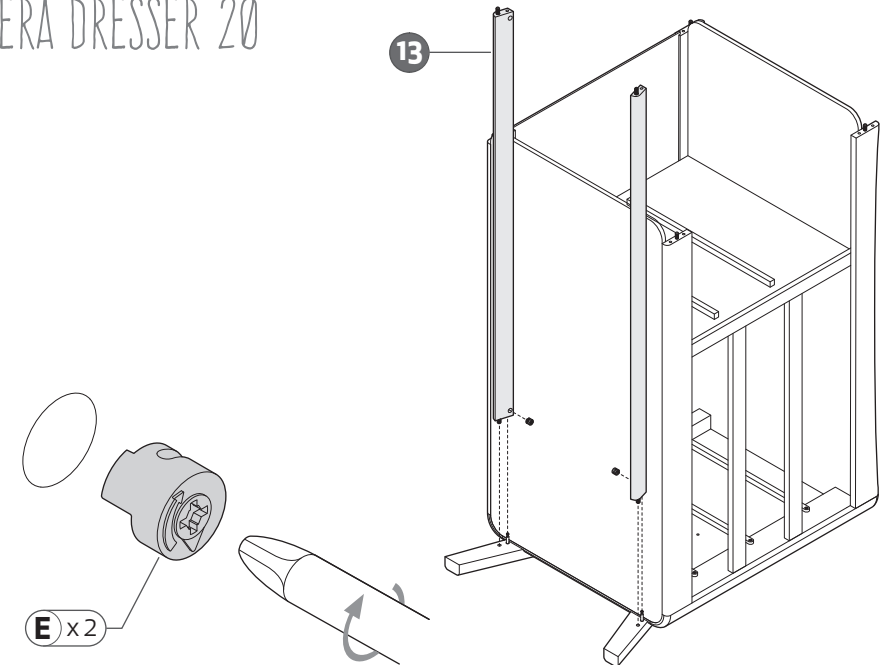
HERA DRESSER 18



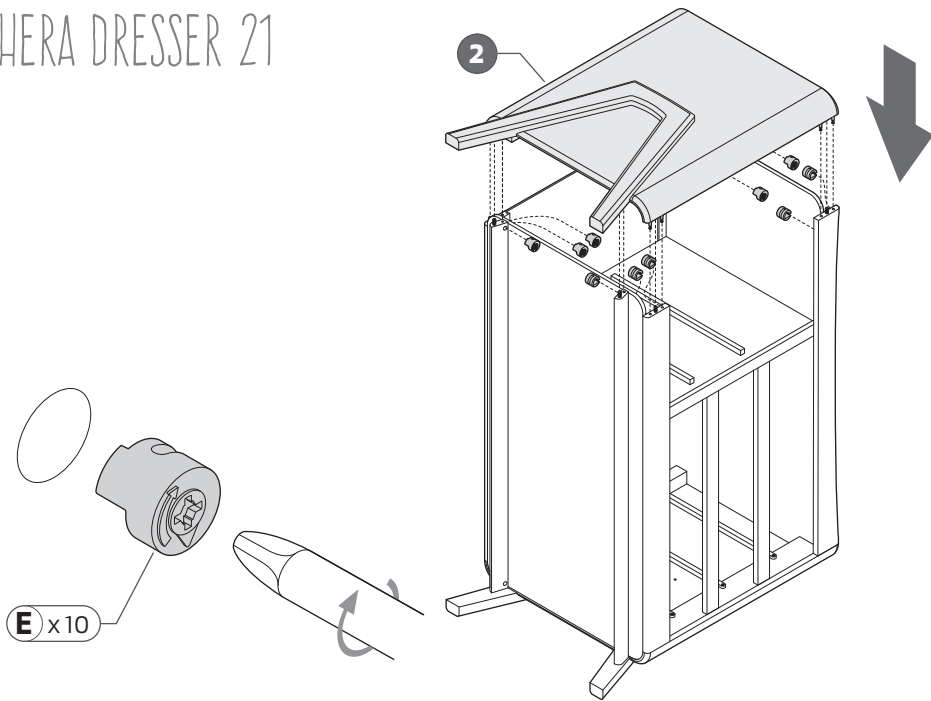
HERA DRESSER 19



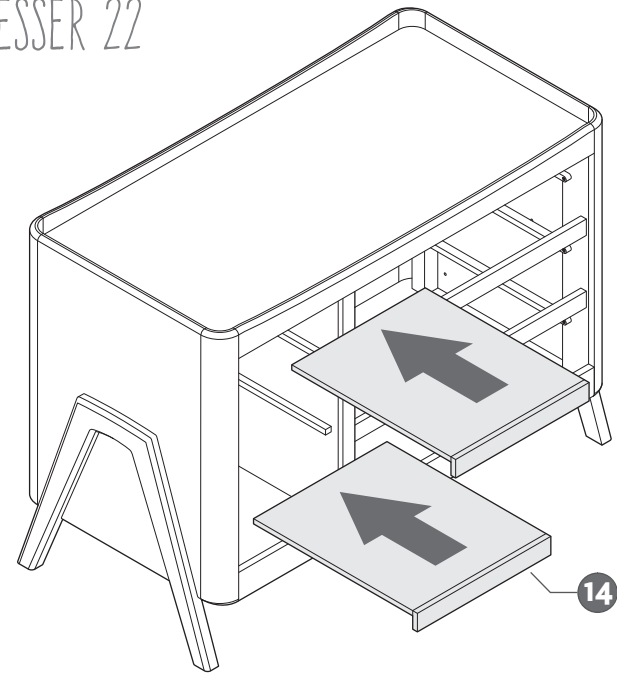
HERA DRESSER 20



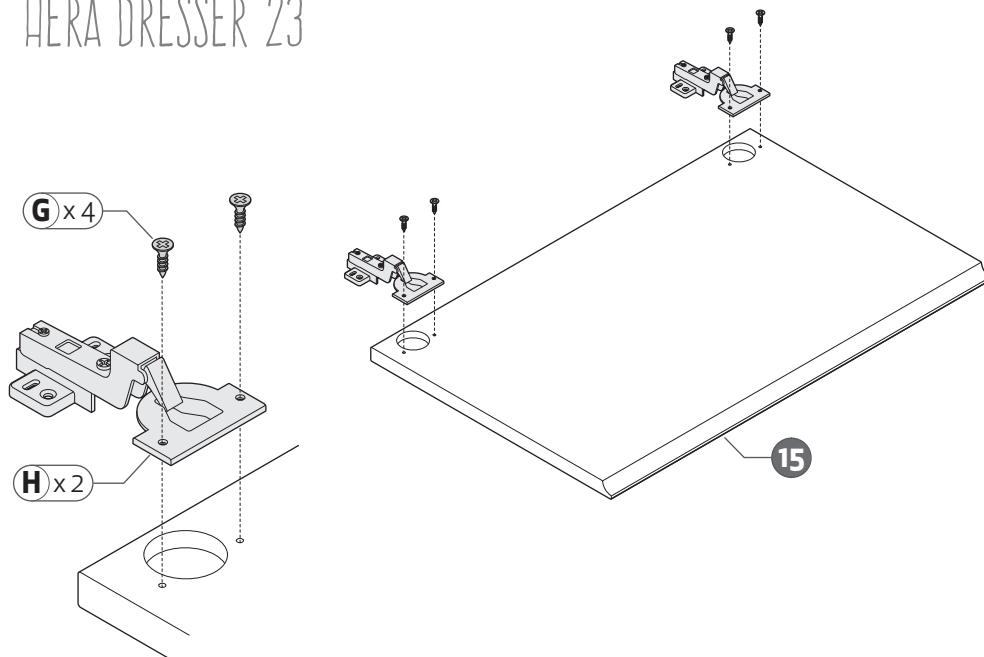
HERA DRESSER 21



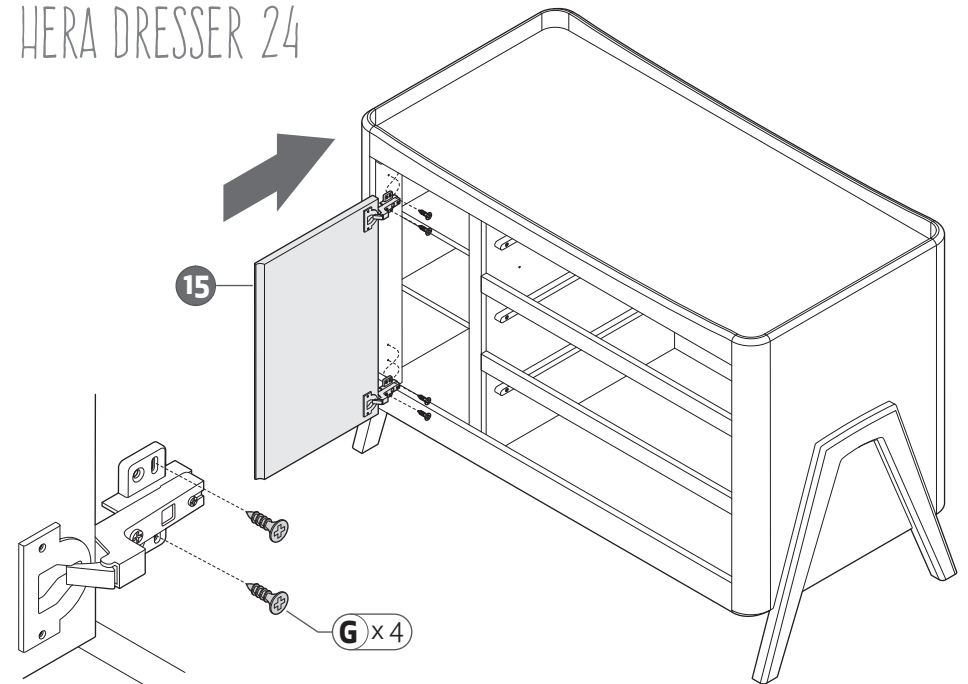
HERA DRESSER 22



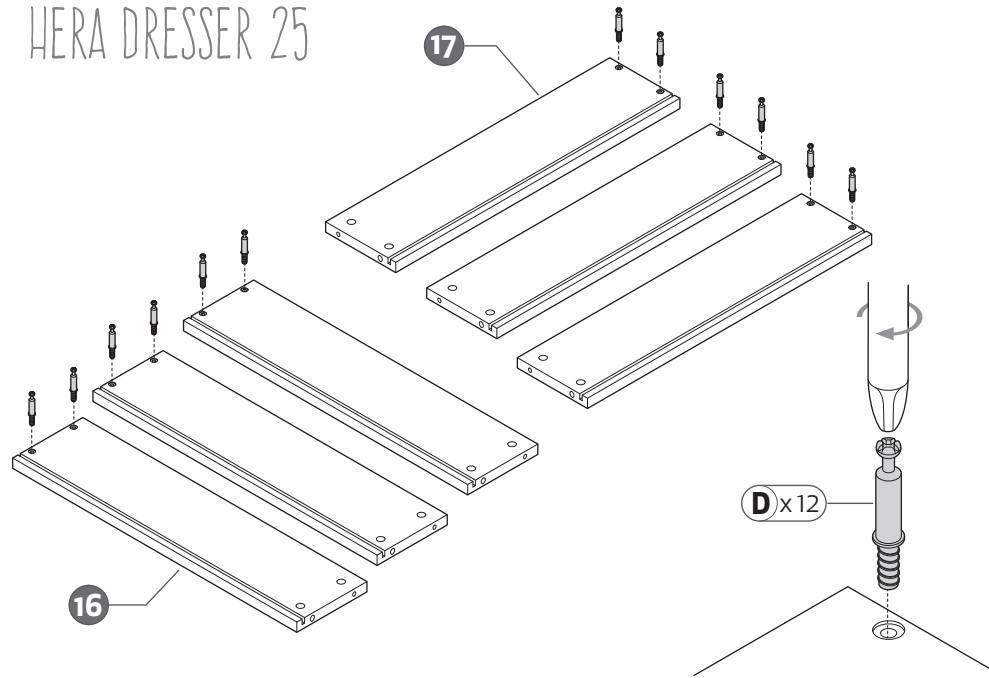
HERA DRESSER 23



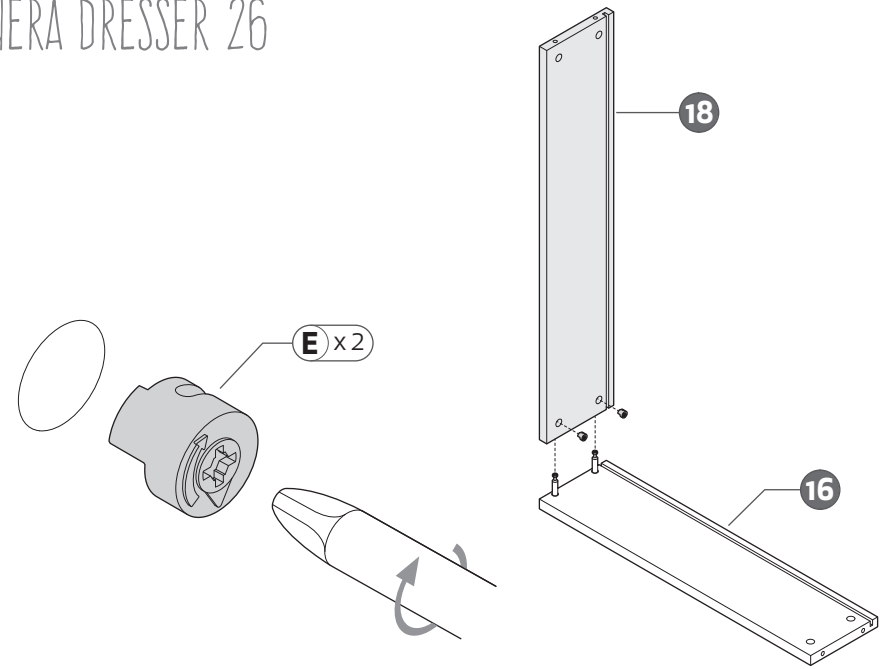
HERA DRESSER 24



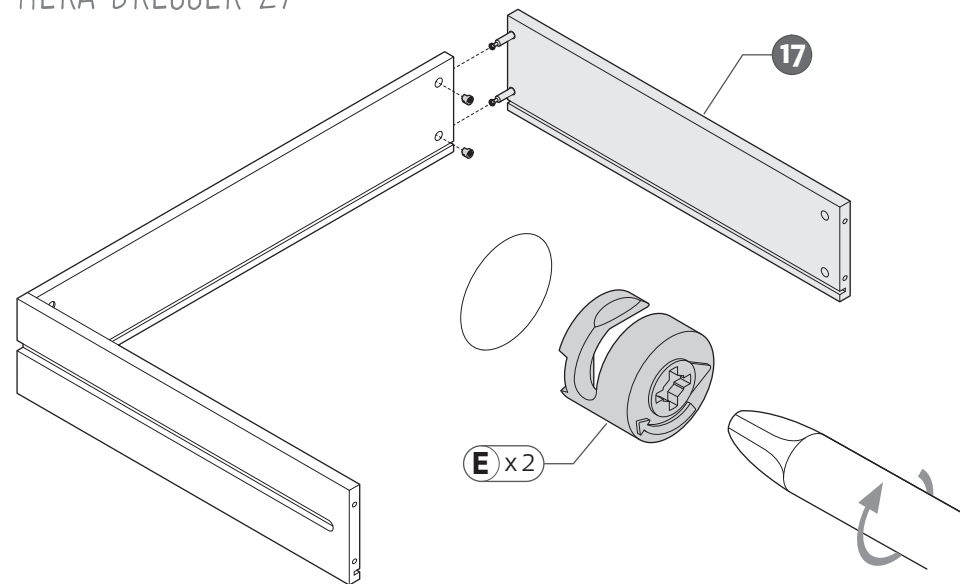
HERA DRESSER 25



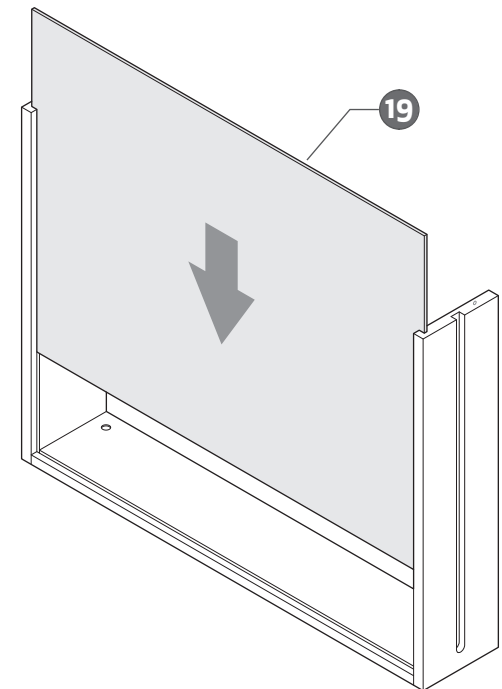
HERA DRESSER 26



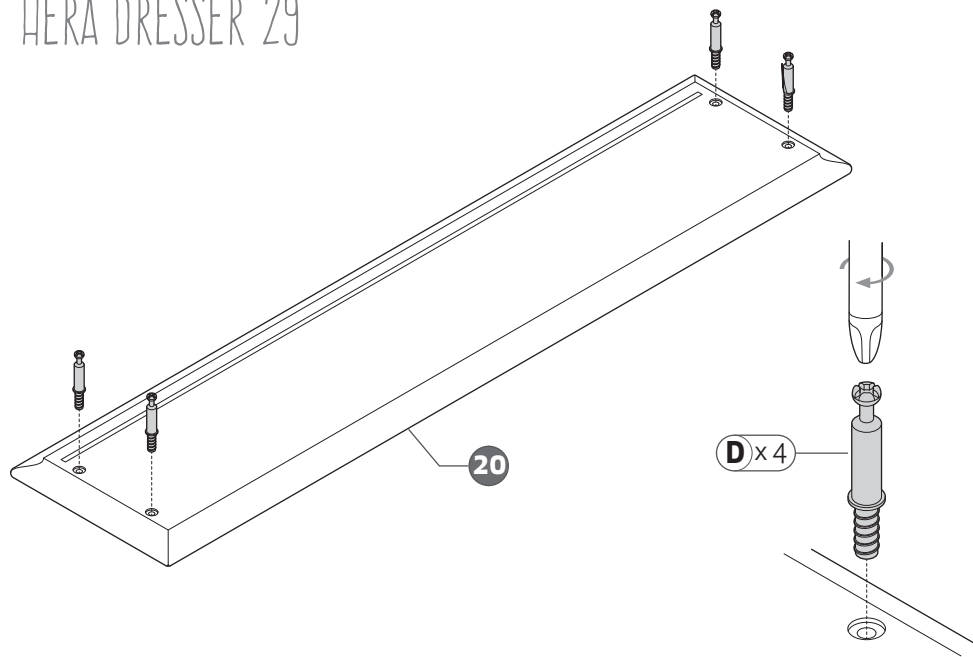
HERA DRESSER 27



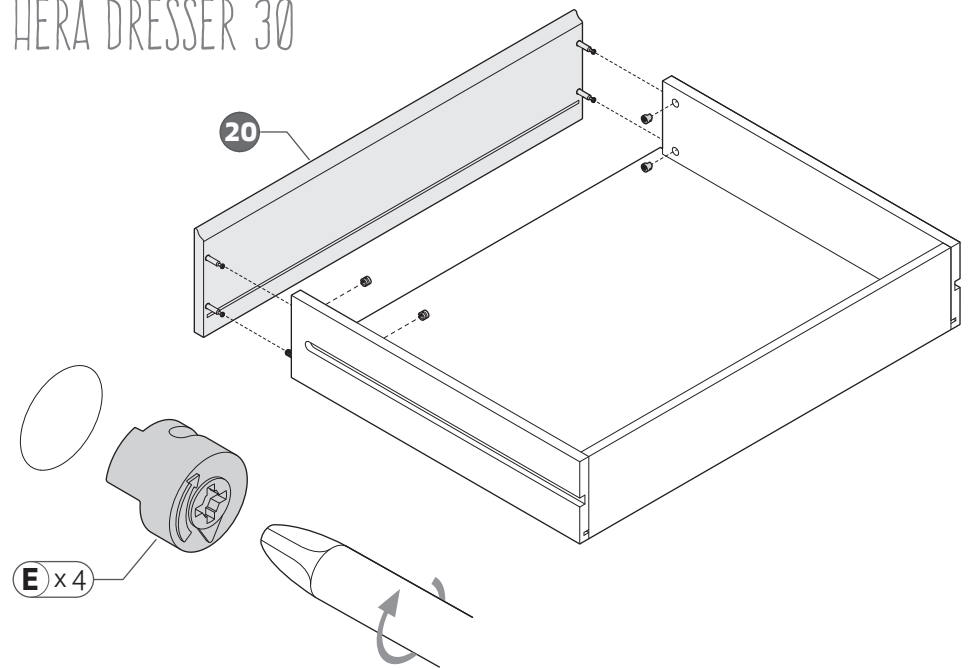
HERA DRESSER 28



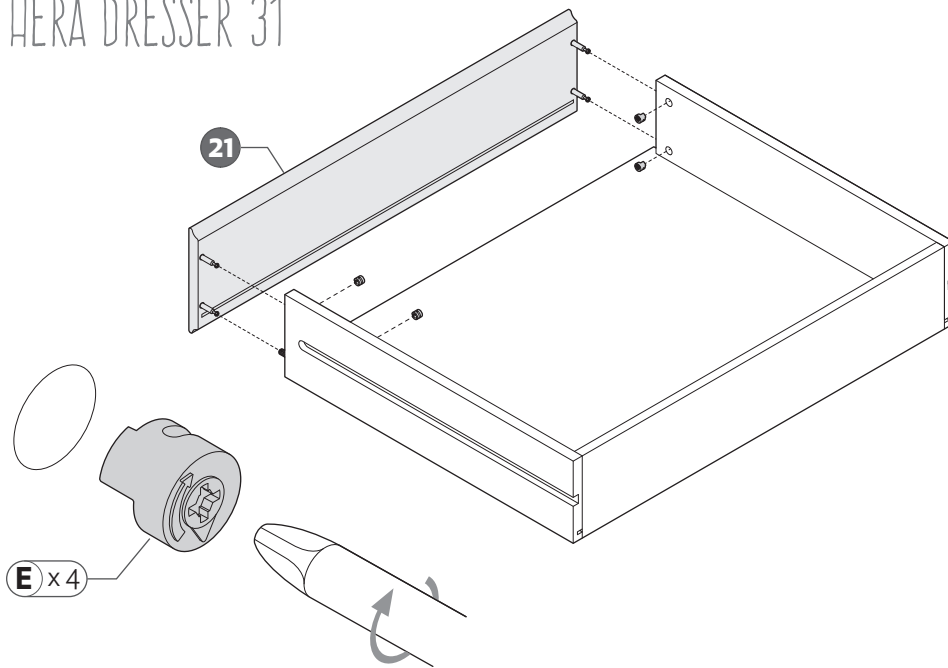
HERA DRESSER 29



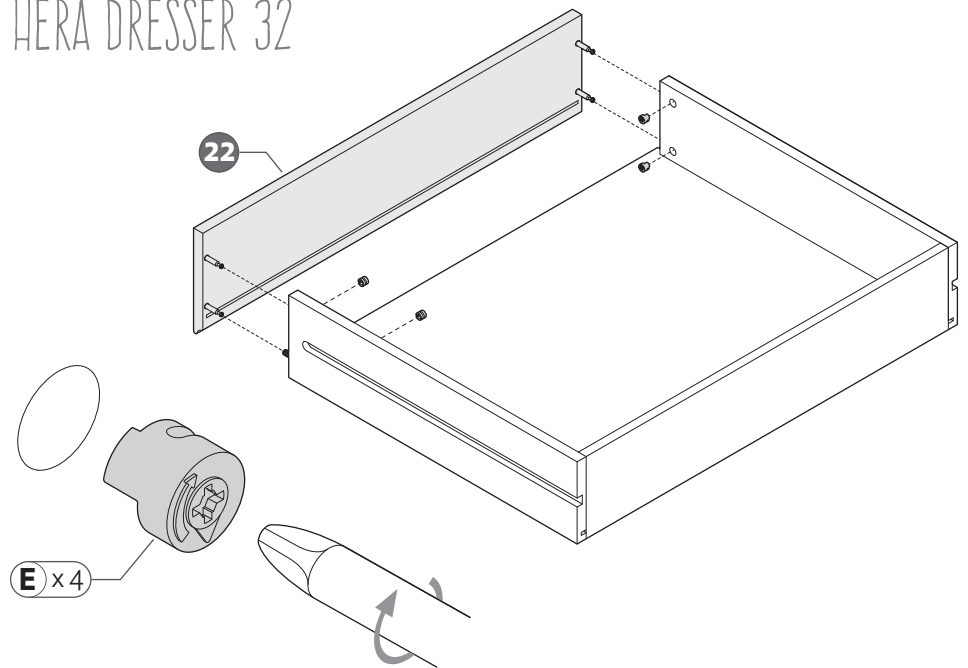
HERA DRESSER 30



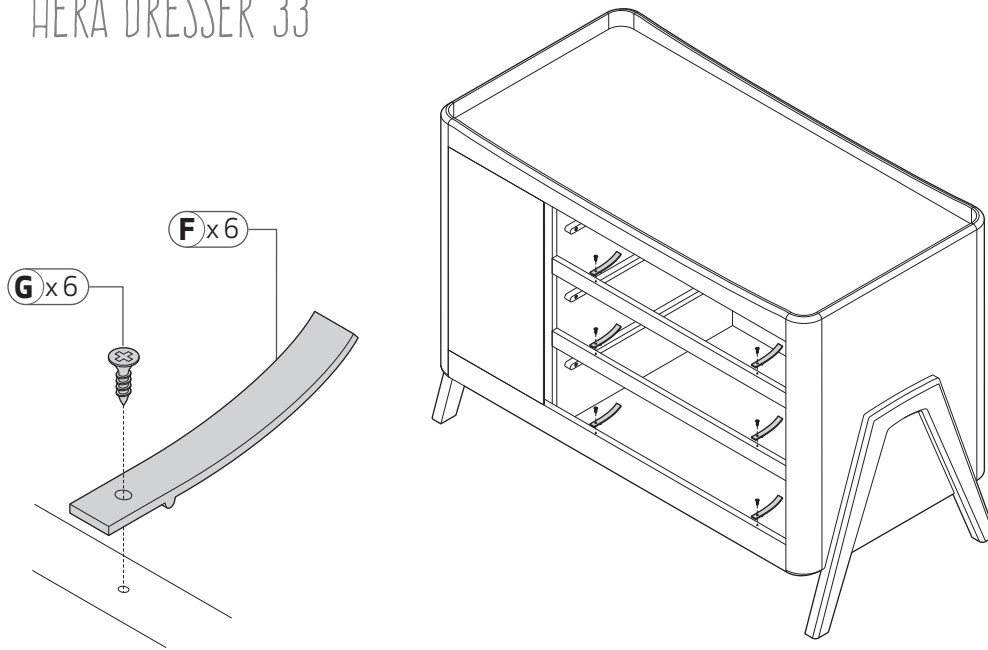
HERA DRESSER 31



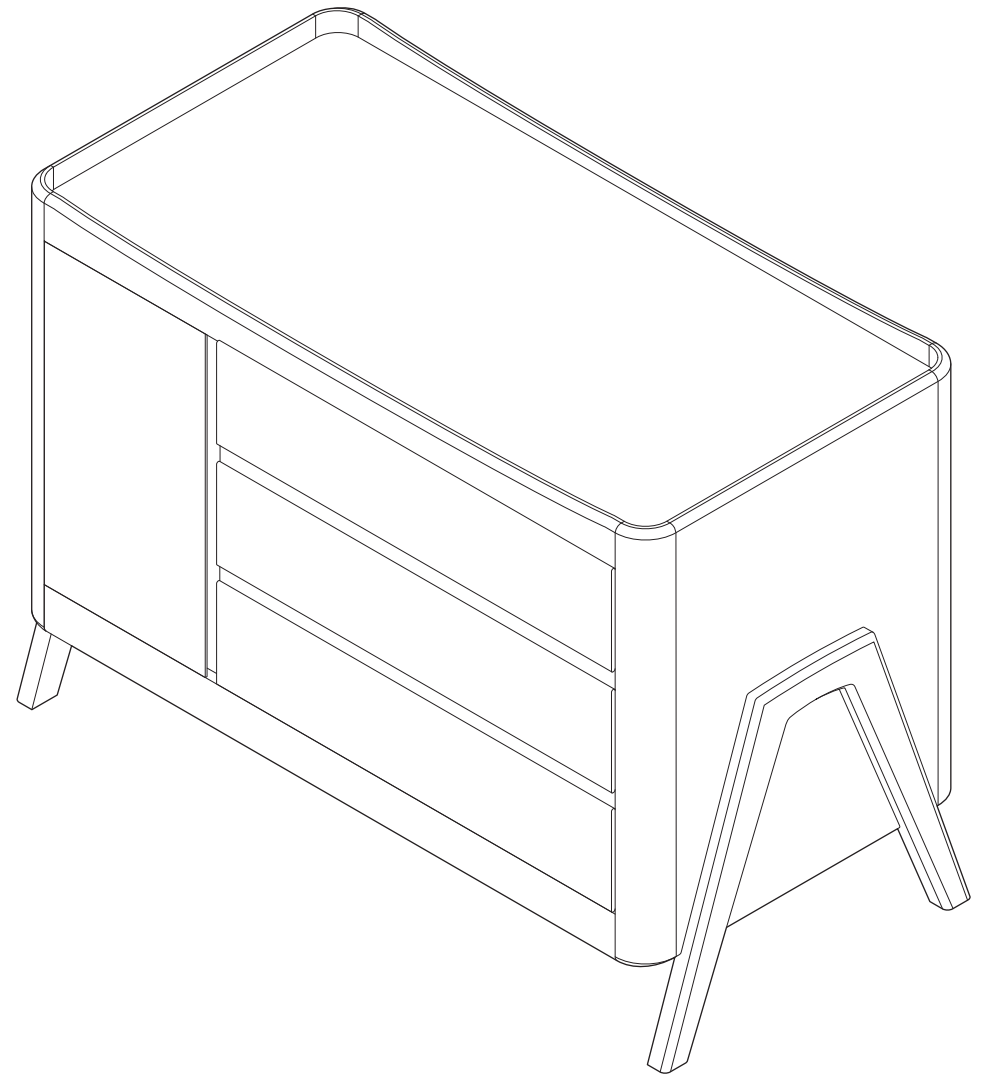
HERA DRESSER 32



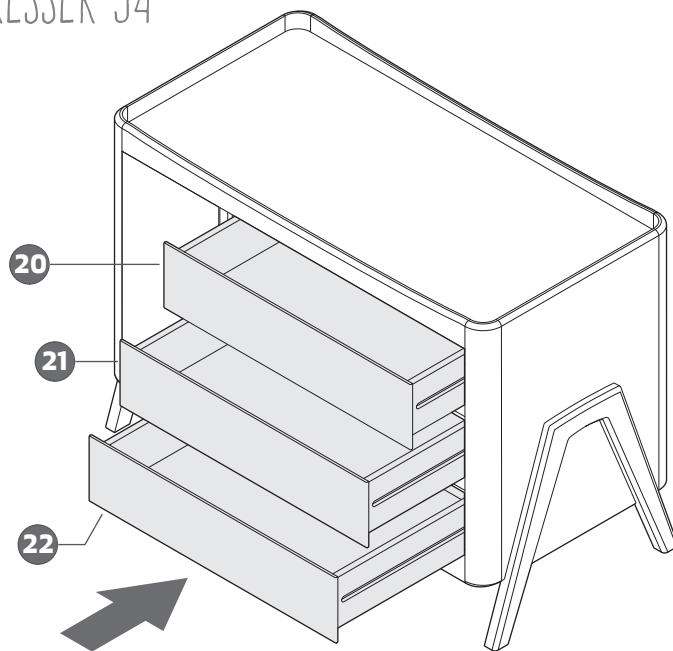
HERA DRESSER 33



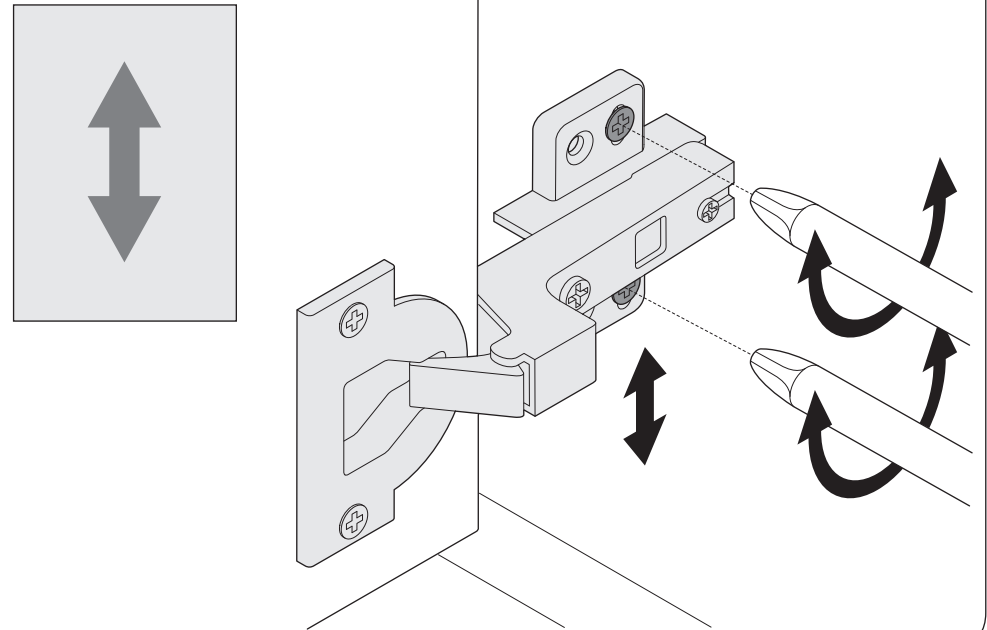
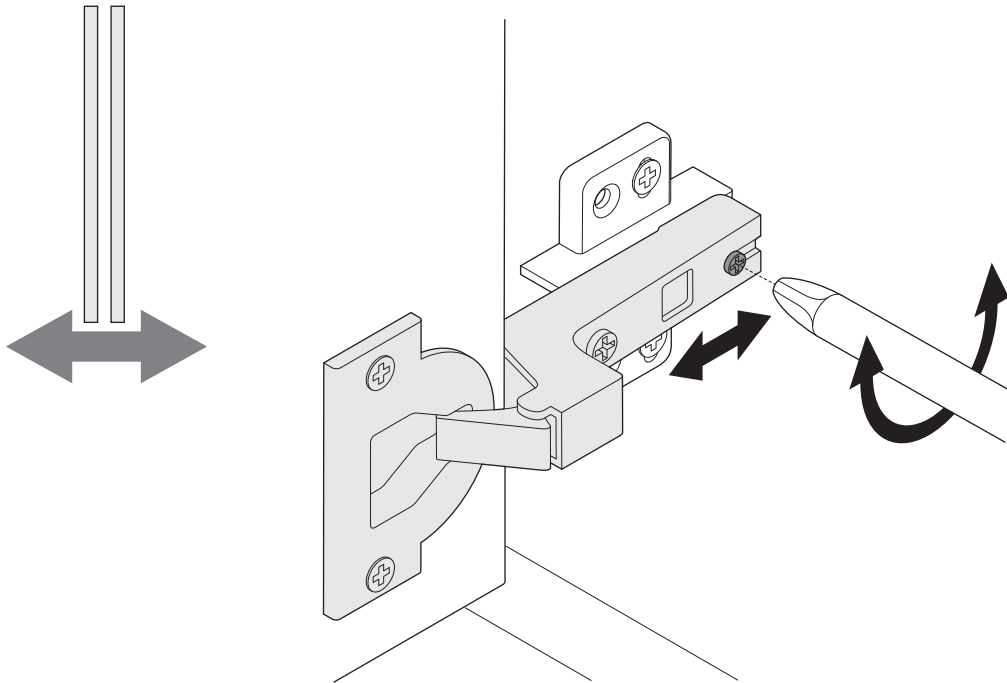
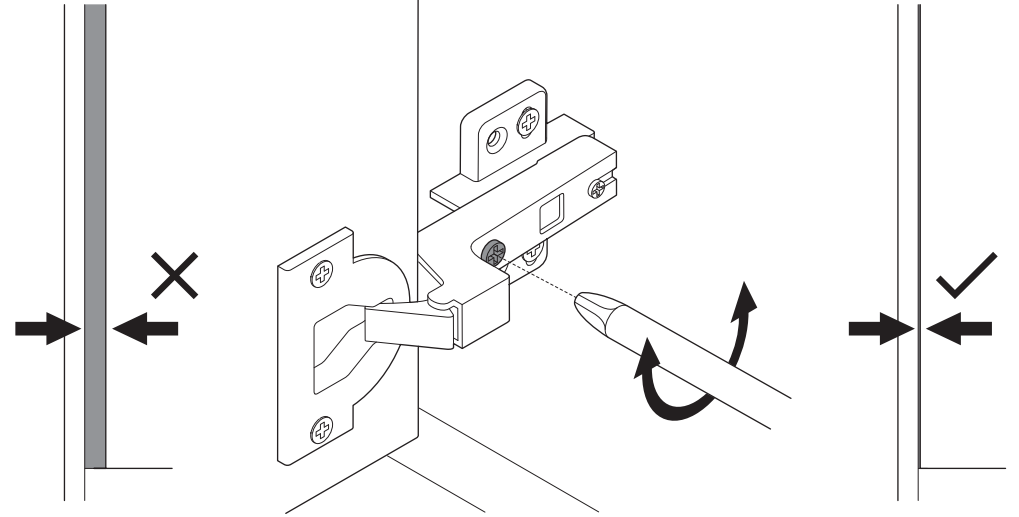
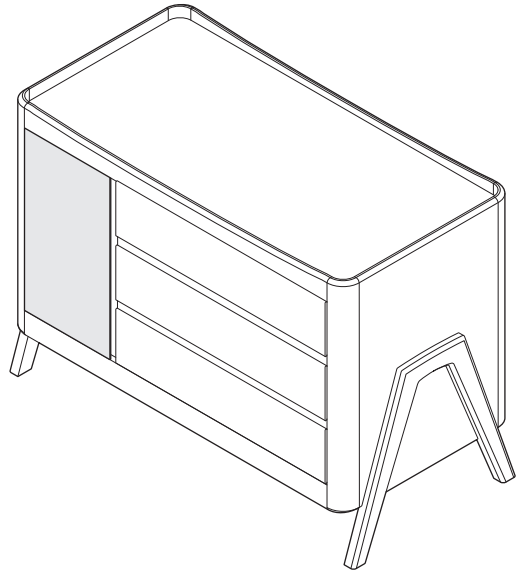
HERA DRESSER ASSEMBLED



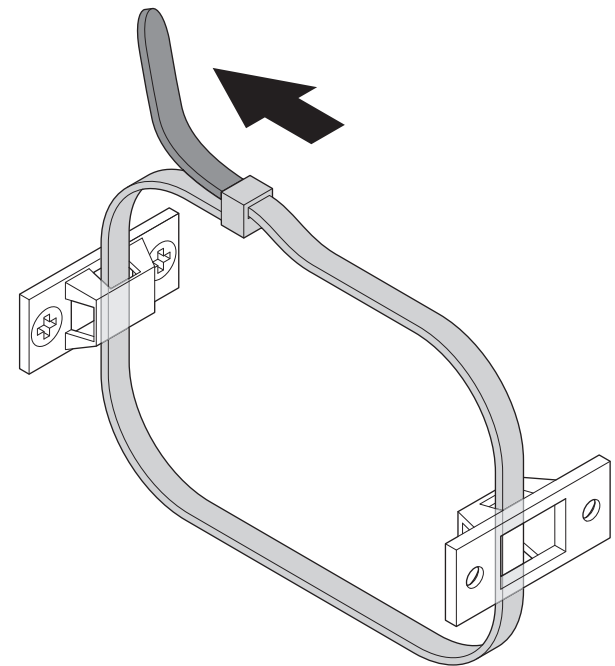
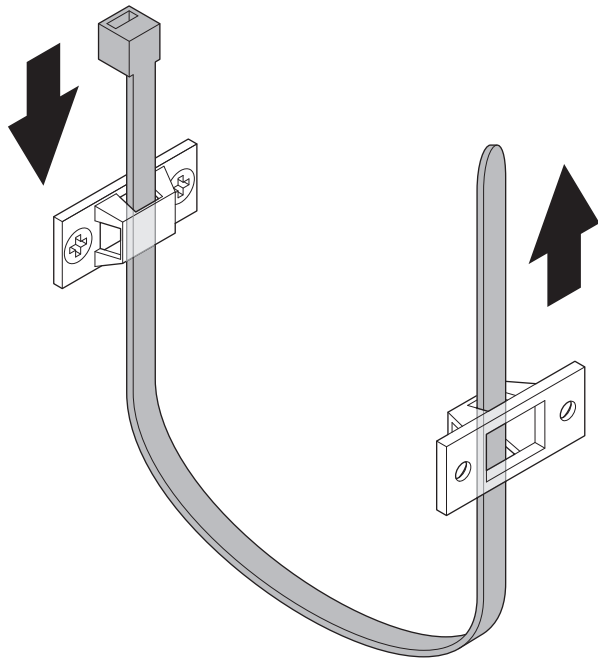
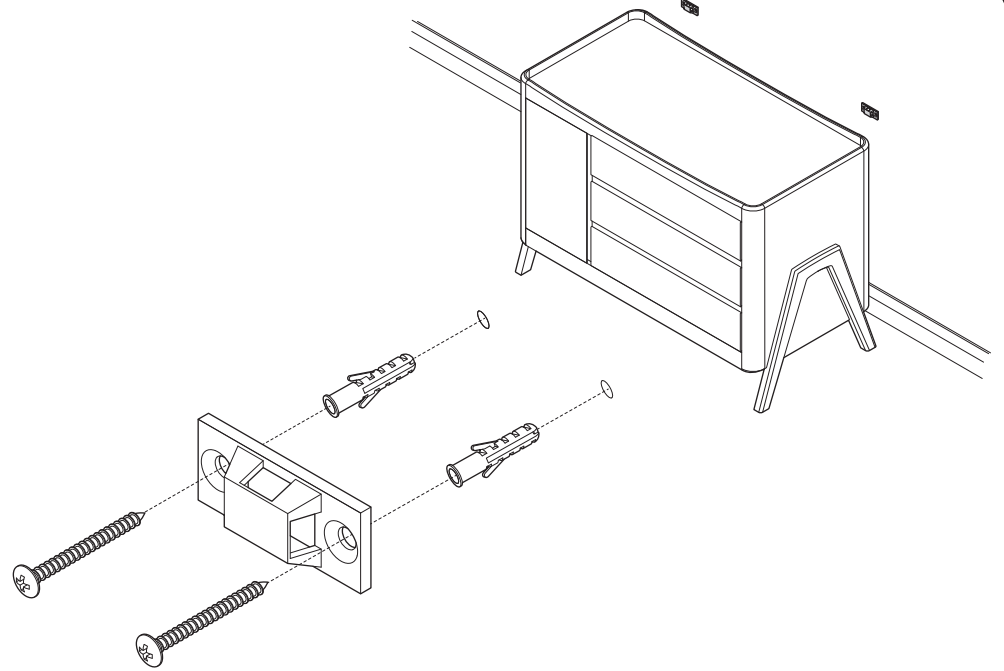
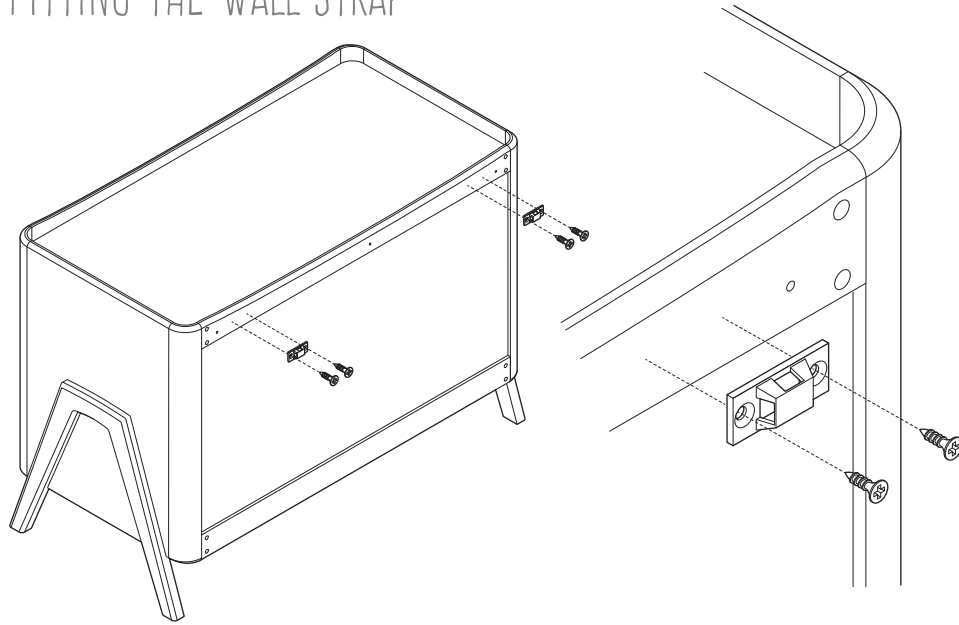
HERA DRESSER 34



ADJUSTING THE DOORS



FITTING THE WALL STRAP



NOTES

Hera dresser safety information

IMPORTANT: READ THESE INSTRUCTIONS CAREFULLY AND RETAIN FOR FUTURE REFERENCE

INSTRUCTIONS FOR SAFE USE

- **DO NOT LEAVE CHILD UNATTENDED.** The safety of your child is your responsibility.
- **IMPORTANT-** Ensure that the wall strap and fittings are used to prevent children tipping furniture over.
- **WARNING -** In order to prevent overturning this product must be used with the wall attachment strap provided.
- Check regularly that all of the fittings and screws are fully tightened and are not damaged. Loose screws or fittings can pinch parts of the body and/or clothing resulting in the risk of strangulation.
- Do not use replacement parts that are not recommended or supplied by the manufacturer.
- Be aware of the risk of open fires and other sources of heat, such as electric fires, gas fires etc. in the near vicinity of the dresser.
- Always leave the dresser clean and dry after use. Wipe away any spillages straight away. Clean the dresser with a damp cloth. Never use abrasive cleaning agents or strong bleach as it could damage the finish of the dresser.
- Ensure the dresser is on a stable level surface before use.
- Never allow children to climb on the dresser.
- Never use the dresser if any part is broken or missing.
- When moving the dresser, never drag it. Always lift the dresser with the help of another person.
- Maximum weight to be placed on the dresser is 11 kgs.

Manufacturer Warranty

All Gaia Baby furniture carries a full 2 year manufacturer's warranty.

The warranty does not cover wear & tear or damage caused by the product not being used in accordance with correct care instructions.

The warranty period is effective from date of purchase. The warranty applies to product presented with an original receipt or proof of purchase. The warranty applies to the territory in which the product was purchased.

During the warranty period, Gaia Baby will repair or replace any defective part.

In the event of a product being replaced in entirety, the guarantee on the replacement will expire two years from the original purchase date.

This is a natural wood product. Some variation in surface finish and colour may occur. While every attempt is made to colour match replacement parts, colour matching cannot be guaranteed.

This guarantee excludes accidental damage, misuse and or damage caused by improper transport or handling.

This warranty is void if the original product has been altered in design or colour in anyway and/ or if not presented with an original receipt as proof of purchase.



Gaia Baby Limited

#2, Kinsealy Business Park,
Malahide
Dublin K36 DK81
Ireland

Web:

www.gaia-baby.com

Email:

customercare@gaia-baby.com