

HERA CHANGING STATION

Assembly instructions

IMPORTANT: Please read carefully and retain for future reference

Hera Changing Station safety information

IMPORTANT: READ THESE INSTRUCTIONS CAREFULLY AND RETAIN FOR FUTURE REFERENCE

INSTRUCTIONS FOR SAFE USE

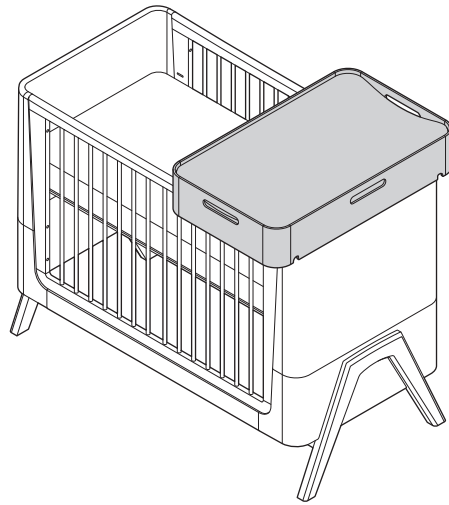
• WARNING

- **DO NOT LEAVE THE CHILD UNATTENDED.** The safety of your child is your responsibility
- Never fit or use this changing station with a child in the cot.
- This product is suitable for use with the Hera cot bed with the cot sides fitted.
- The safety of your child is your responsibility. Always watch your child when it is on the changer.
- Always remove the changing station after use.
- Never use the product if any parts are broken or missing.
- Before putting your child on the changing station make sure you have all the items you will need at hand.
- A changing mattress is not supplied with this product. Lay the changing mattress on the changing surface, within the retaining rails. Clean the mattress using warm soapy water, never use abrasives or bleach.
- Be aware of the risk of the risk of open fires and other sources of strong heat, such as electric bar fires, gas fires etc. in the near vicinity of this changing station

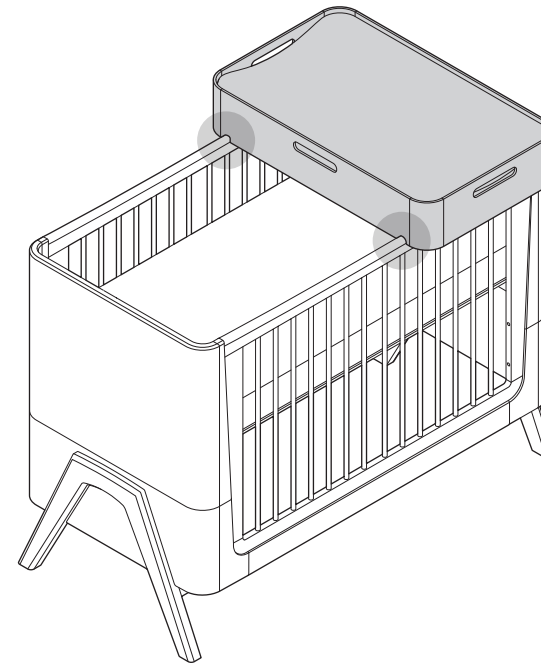
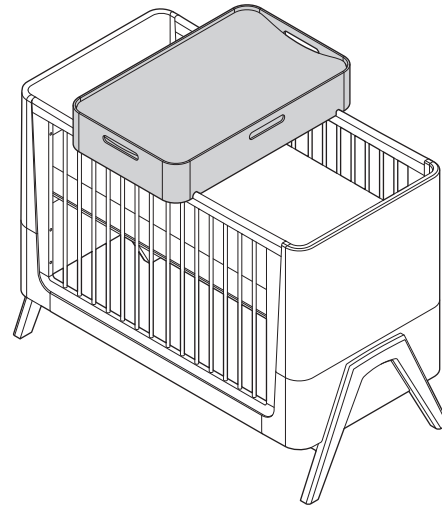
- Always leave the product clean and dry. Wipe away any spillage straight away. The changing station can be cleaned with a damp cloth, never use abrasives or bleach.
- Do not use replacement parts that are not recommended or supplied by the manufacture.
- Non-approved parts may render the repair or product unsafe.
- This product is intended for children from birth up to 11kg (12 months approximately).
- This product conforms to BS EN 12221:2008 + A1:2013.

USING WITH THE HERA COT-BED

Position 1



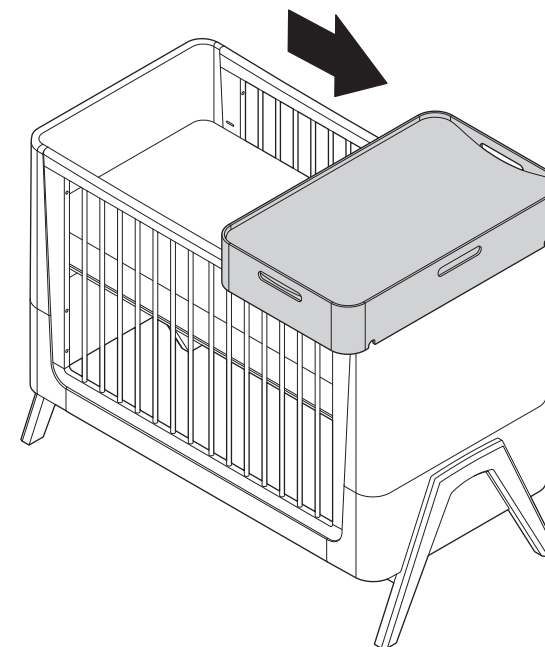
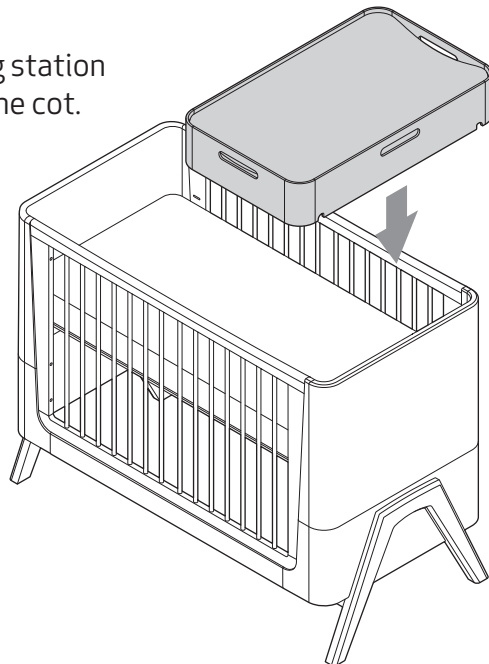
Position 2



Ensure the rails of the cot sides are inserted into the slots in the side of the changing station.

Position 1

Slot the changing station onto the end of the cot.



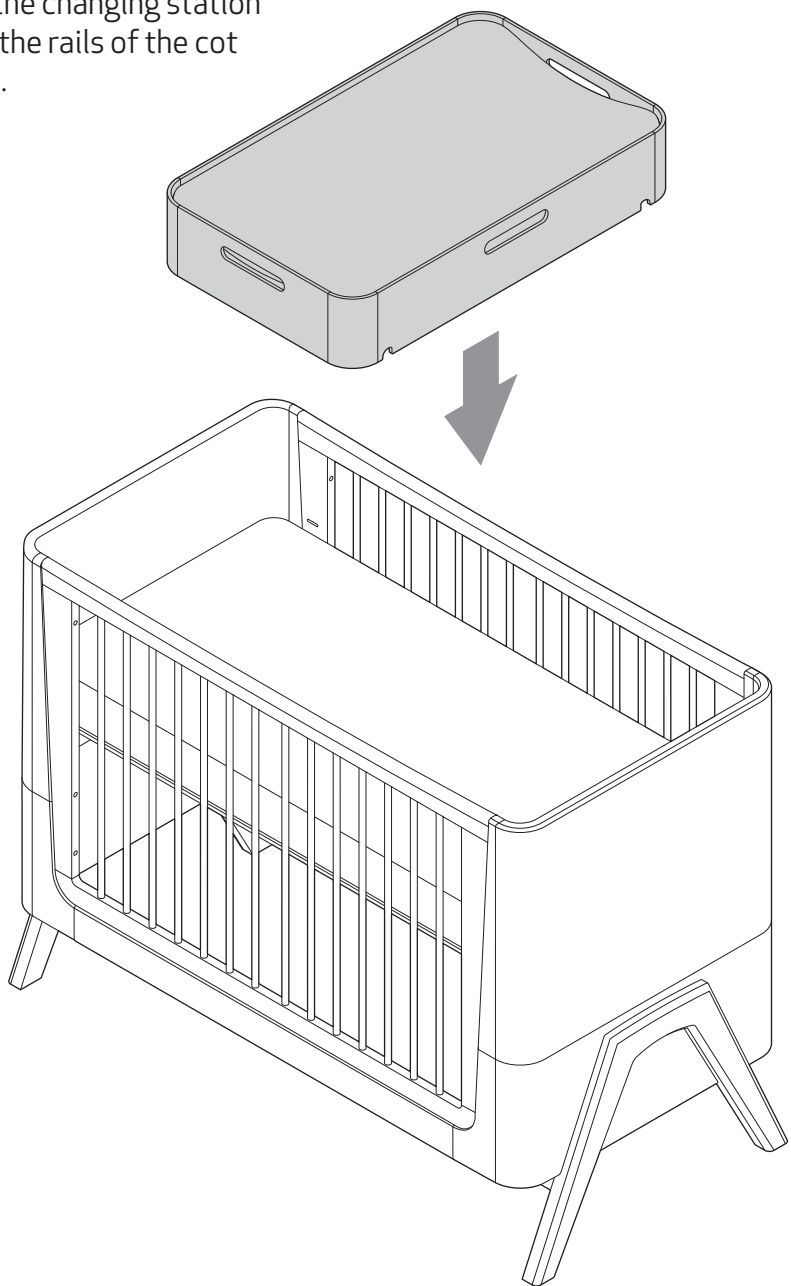
Changing station

Cot end

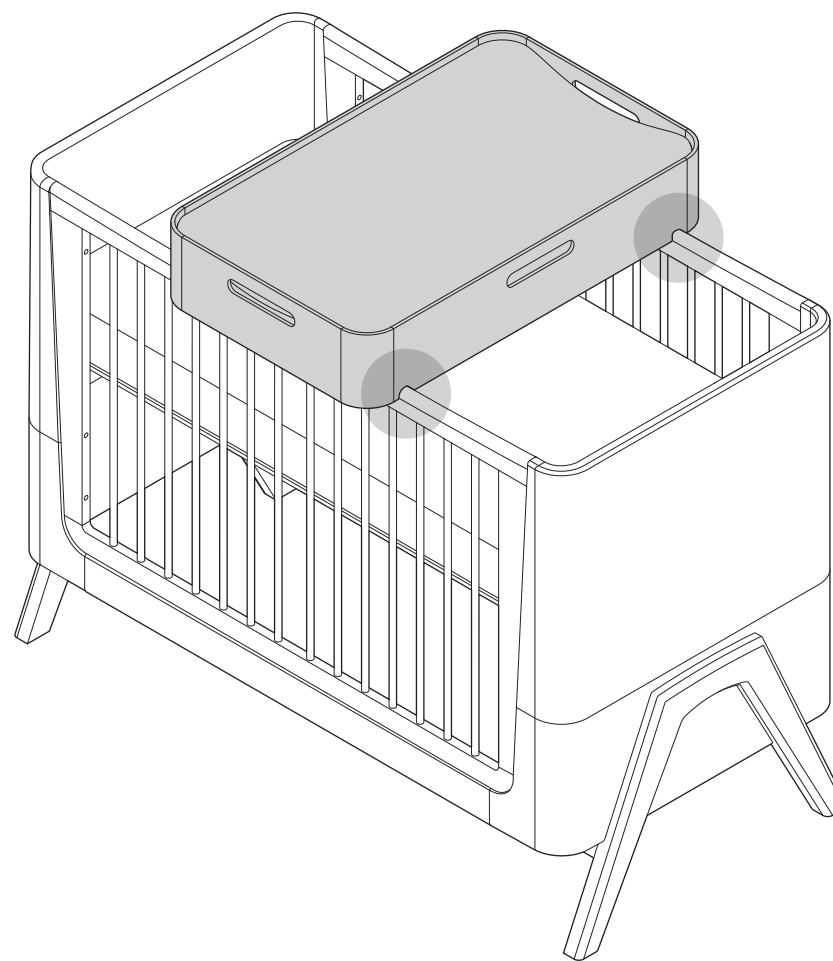
Slide the changing station towards the cot end to ensure the cot end is held between the side of the changing station and the blocks attached to the changing station base.

Position 2

Slot the changing station onto the rails of the cot sides.

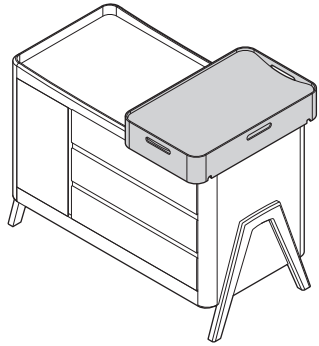


Ensure the rails of the cot sides are inserted into the slots in the sides of the changing station.

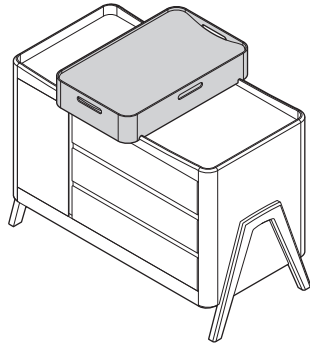


USING WITH THE HERA DRESSER

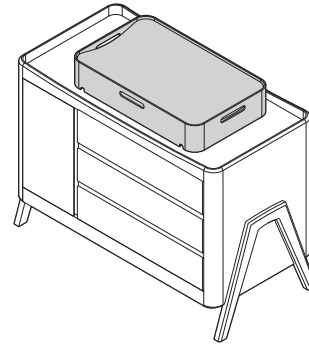
Position 1



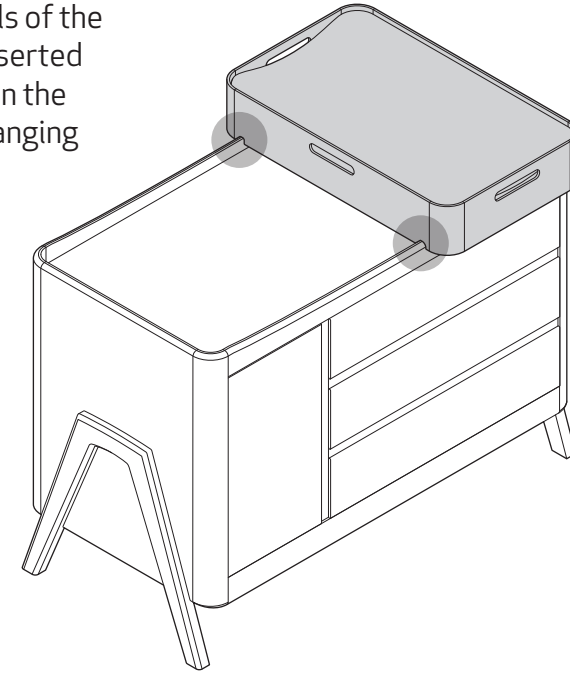
Position 2



Position 3

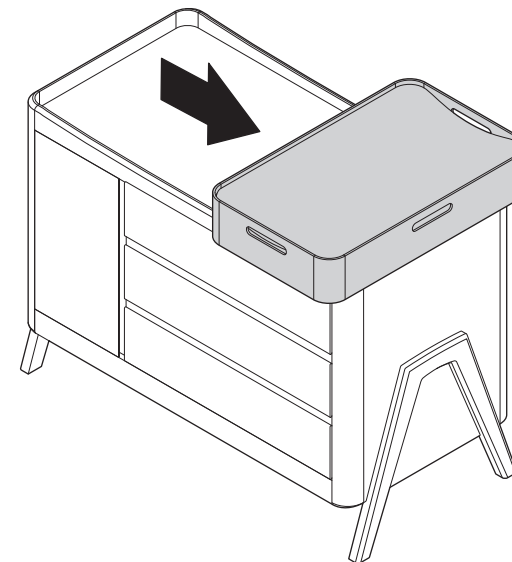
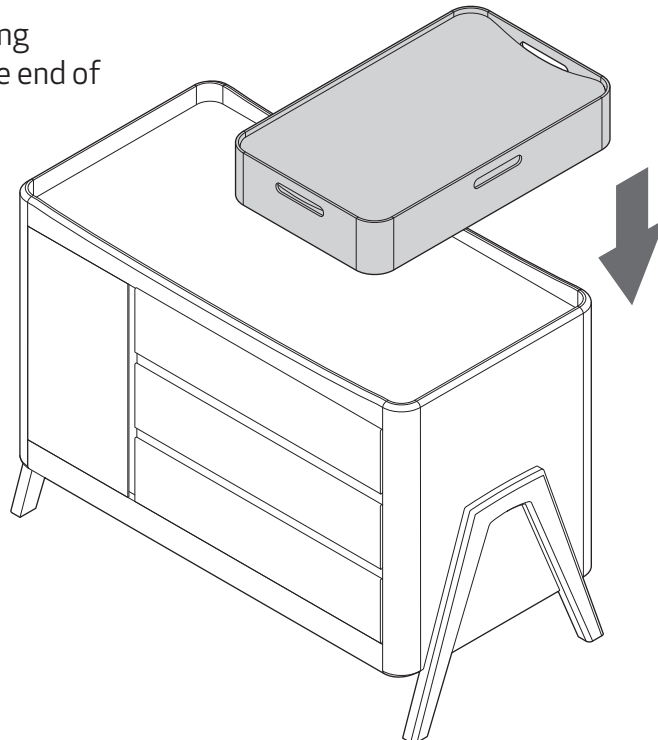


Ensure the rails of the dresser are inserted into the slots in the side of the changing station.



Position 1

Slot the changing station onto the end of the dresser.



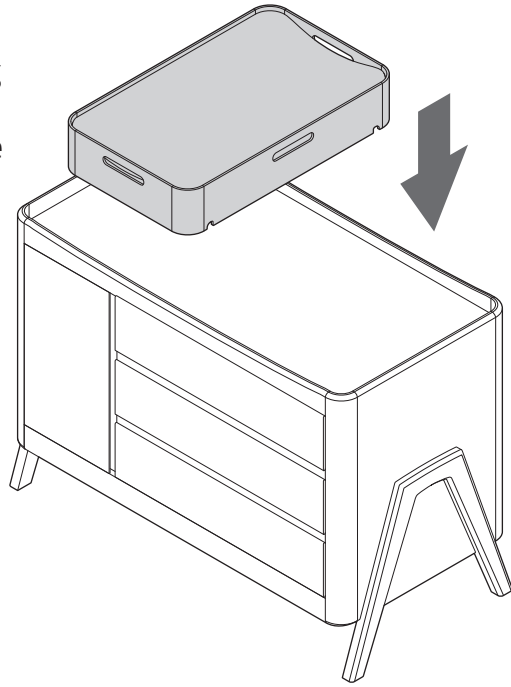
Changing station

Dresser end

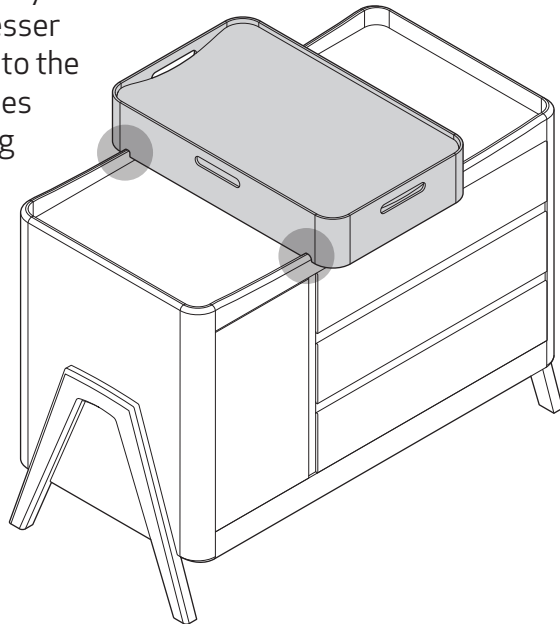
Slide the changing station towards the end of the dresser to ensure the dresser end is held between the side of the changing station and the blocks attached to the changing station base.

Position 2

Slot the changing station onto the safety rails of the dresser.

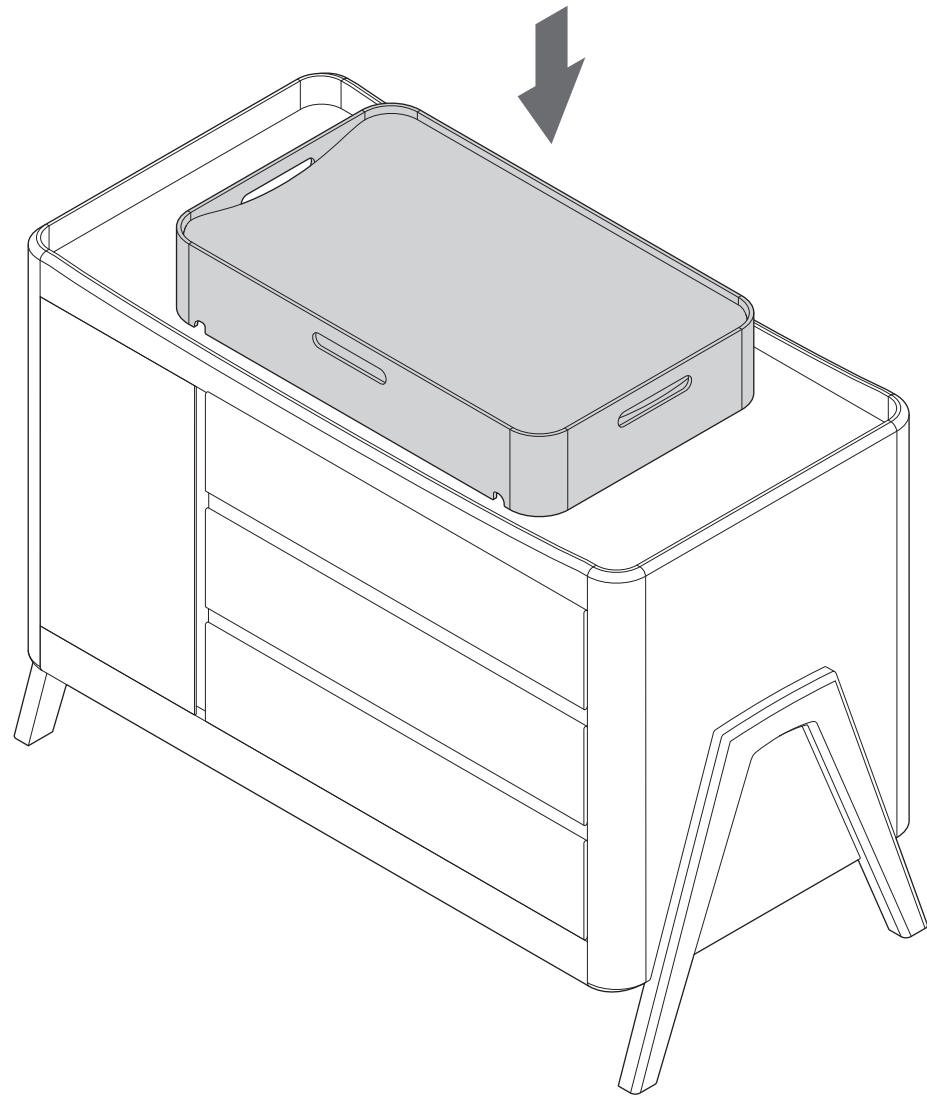


Ensure the safety rails of the dresser are inserted into the slots in the sides of the changing station.



Position 3

Place the changing station between the safety rails on the top of the dresser.



Manufacturer Warranty

All Gaia Baby furniture carries a full 2 year manufacturer's warranty.

The warranty does not cover wear & tear or damage caused by the product not being used in accordance with correct care instructions.

The warranty period is effective from date of purchase. The warranty applies to product presented with an original receipt or proof of purchase. The warranty applies to the territory in which the product was purchased.

During the warranty period, Gaia Baby will repair or replace any defective part.

In the event of a product being replaced in entirety, the guarantee on the replacement will expire two years from the original purchase date.

This is a natural wood product. Some variation in surface finish and colour may occur. While every attempt is made to colour match replacement parts, colour matching cannot be guaranteed.

This guarantee excludes accidental damage, misuse and or damage caused by improper transport or handling.

This warranty is void if the original product has been altered in design or colour in anyway and/ or if not presented with an original receipt as proof of purchase.



Gaia Baby Limited

#2, Kinsealy Business Park,
Malahide
Dublin K36 DK81
Ireland

Web:
www.gaia-baby.com

Email:
customercare@gaia-baby.com