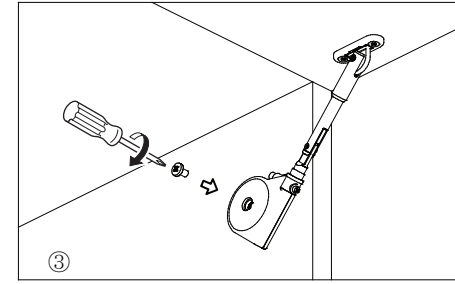
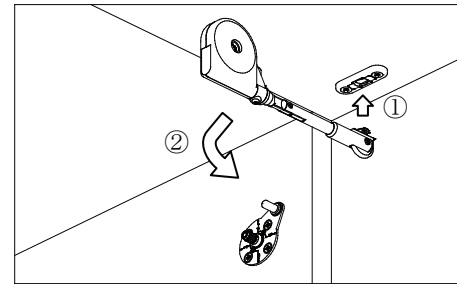


## Step 2 - Install the Main Body

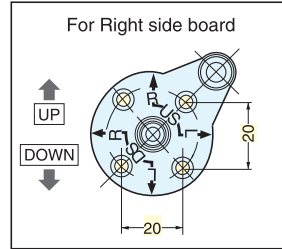
- ① Insert the "key" of the arm into the arm fixing plate. The main body must be placed at 90 degrees angle against the fixing angle.
- ② Turn the main body 90 degrees and insert the center gear of the mounting plate to the hole of the main body.
- ③ Fix the main body with the bind screw.



**Before installation, please check the Door Weight Range Table to determine if the SDS-C301N is the correct stay for the size and weight door.**

### Step 1 - Position and Install Mounting Plates

The hinge type and the coverage affect the placement of the mounting plate and arm fixing plate. Please use the corresponding diagram on page 2 to determine the mounting dimensions for your application. Position and install mounting plate and arm fixing plate using supplied screws.

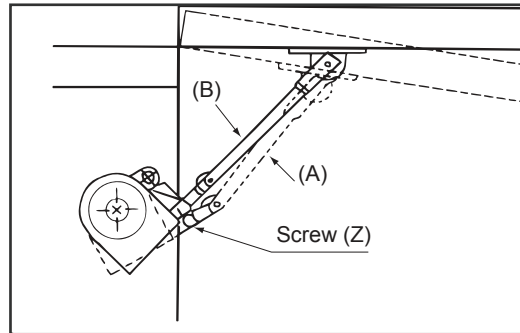


For installation of the mounting plate on the right hand side, the arrow of "R" on the "US" side should point upward vertically. For the left side, the arrow of "L" on the "US" side should point upward vertically.

All diagrams are shown for right side mounting.

### Step 3 - Adjustment and Operation

If the lid stay is sagging (A), turn the adjustment screw(Z) at the base of the arm until the lid stay straightens (B). The lid can then be closed by pushing down gently on the lid. When the lid is closing, do not put additional pressure on the lid (to close more quickly, etc.) as it may damage the stay. If you have difficulty with operation or adjustment of the lid stay, please contact Sugatsune for technical assistance.



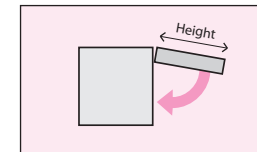
### Weight and Door Height

The SDS-C301 must be used taking the weight and door height into consideration. The table indicates the usable weight range per door height when using two stays. When using one stay, the weight range will be half of what is shown.

For doors outside of the recommended weight range, please contact Sugatsune for the recommended lid stay.

Door Weight Range  
Per pair, in Lbs

Door Height (inch)	Door Weight(lbs)	
	Min	Max
8	17.5	30.0
9	15.6	26.7
10	14.0	24.0
11	12.7	21.8
12	11.7	20.0
13	10.8	18.5
14	10.0	17.1
15	9.3	16.0
16	8.8	15.0
17	8.2	14.1
18	7.8	13.3
19	7.4	12.6
20	7.0	12.0
21	6.7	11.4
22	6.4	10.9
23	6.1	10.4
24	5.8	10.0
25	5.6	9.6
26	5.4	9.2



### Remarks

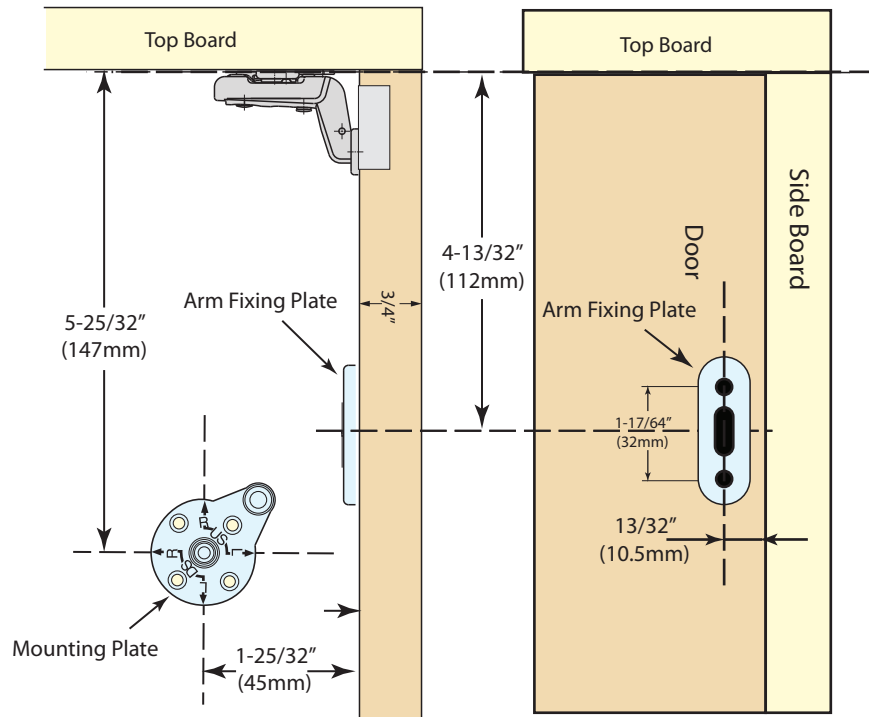
- Do not attempt to disassemble or modify the lid stay as serious damage and/or injury may occur.
- For extreme environments (high temperature, humidity, etc.), please contact Sugatsune for technical assistance before installation.
- The product has been developed for use as a lid stay - other applications are not recommended.



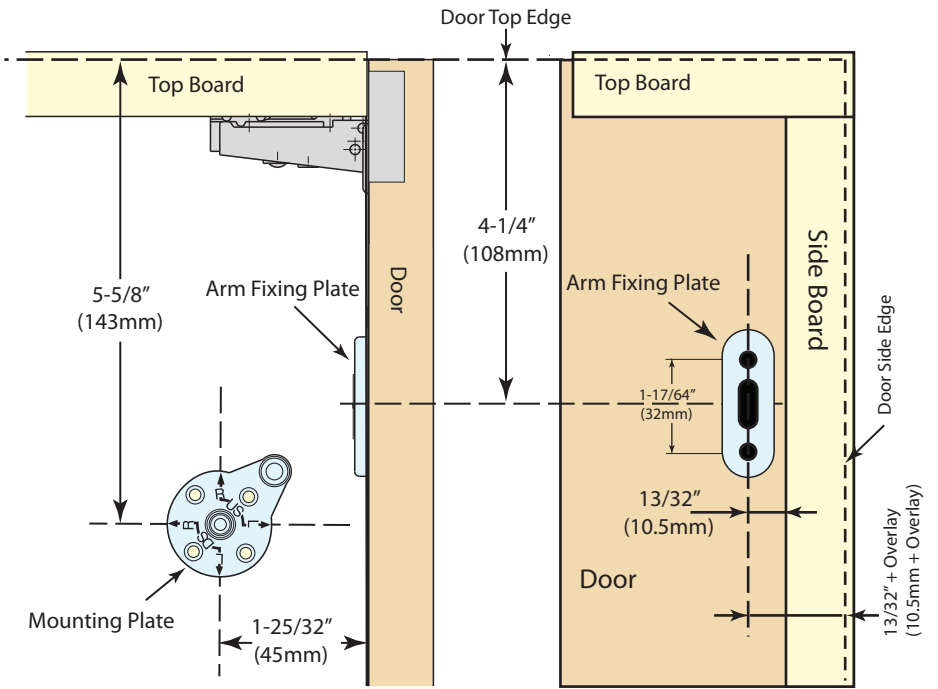
Sugatsune America, Inc.  
18101 Savarona Way  
Carson, CA 90746-1411

Toll Free (800) 562-5267  
(310) 329-6373 Fax (310) 329-0819  
www.sugatsune.com

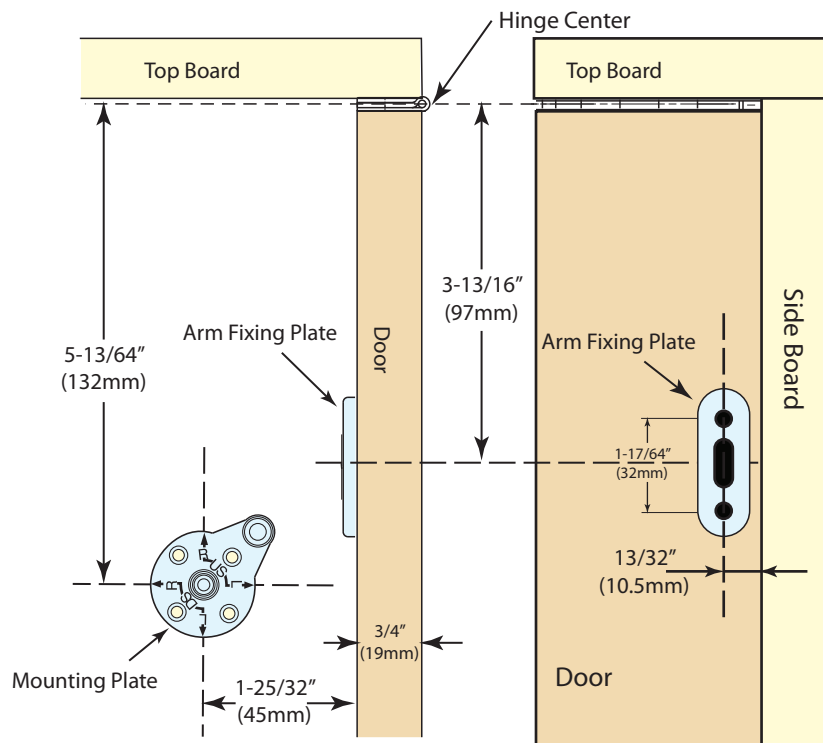
## Inset Concealed Hinge(Euro Hinge) Installation



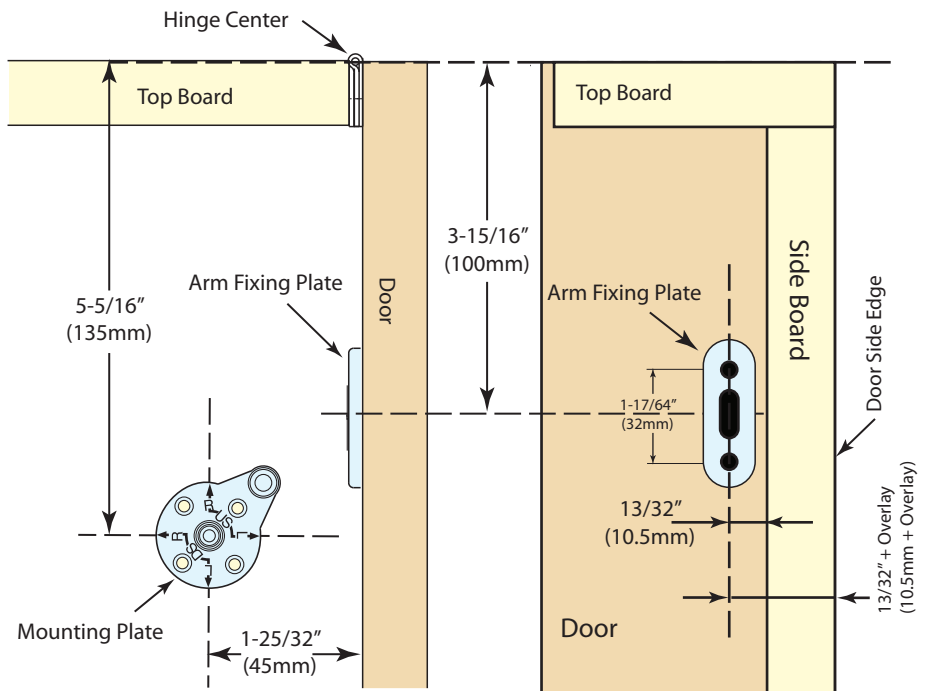
## Overlay Concealed Hinge(Euro Hinge) Installation

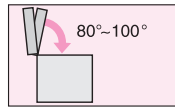


## Inset Single Knuckle(Piano, Butt, etc) Hinge



## Overlay Single Knuckle(Piano, Butt, etc) Hinge





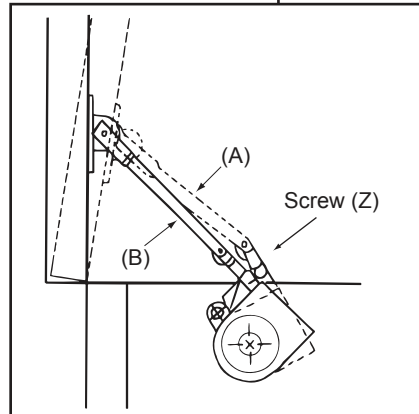
**Before installation, please check the Door Weight Range Table to determine if the SDS-C301N is the correct stay for the size and weight door.**

### Step 1 - Position and Install Mounting Plates

The hinge type and the coverage affect the placement of the mounting plate and arm fixing plate. Please use the corresponding diagram on page 2 to determine the mounting dimensions for your application. Position and install mounting plate and arm fixing plate using supplied screws.

### Step 3 - Adjustment and Operation

If the lid stay is sagging (A), turn the adjustment screw (Z) at the base of the arm until the lid stay straightens (B). The lid can then be closed by pushing down gently on the lid. When the lid is closing, do not put additional pressure on the lid (to close more quickly, etc.) as it may damage the stay. If you have difficulty with operation or adjustment of the lid stay, please contact Sugatsune for technical assistance.

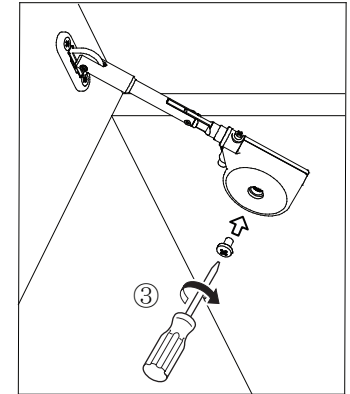
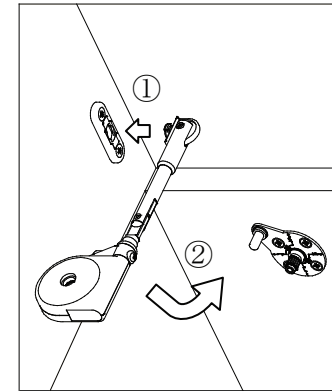


### Remarks

- Do not attempt to disassemble or modify the lid stay as serious damage and/or injury may occur.
- For extreme environments (high temperature, humidity, etc.), please contact Sugatsune for technical assistance before installation.
- The product has been developed for use as a lid stay - other applications are not recommended.

### Step 2 - Install the Main Body

- ① Insert the "key" of the arm into the arm fixing plate. The main body must be placed at 90 degrees angle against the fixing angle.
- ② Turn the main body 90 degrees and insert the center gear of the mounting plate to the hole of the main body.
- ③ Fix the main body with the bind screw.

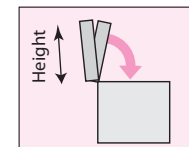


### Weight and Door Height

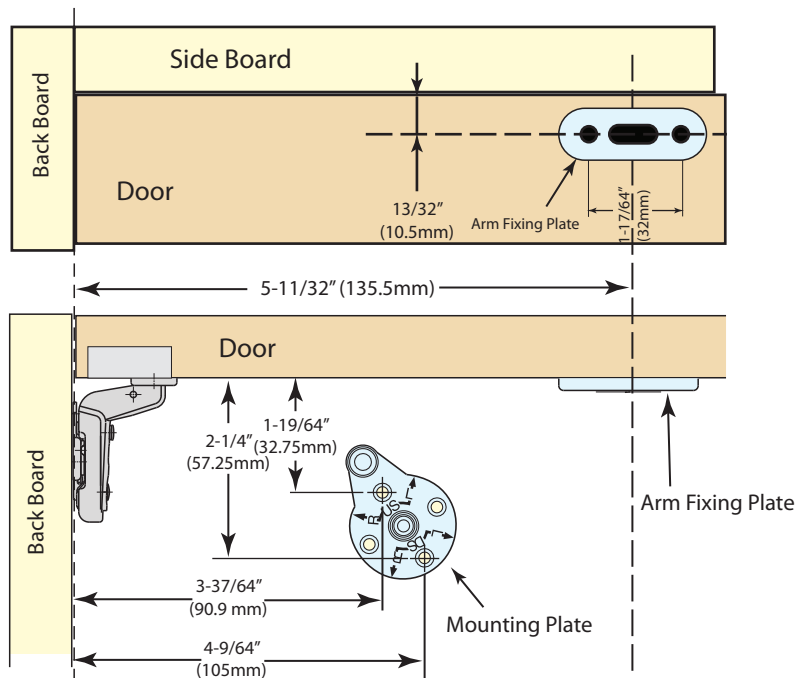
The SDS-C301 must be used taking the weight and door height into consideration. The table indicates the usable weight range per door height when using two stays. When using one stay, the weight range will be half of what is shown. For doors outside of the recommended weight range, please contact Sugatsune for the recommended lid stay.

Door Weight Range  
Per pair, in Lbs

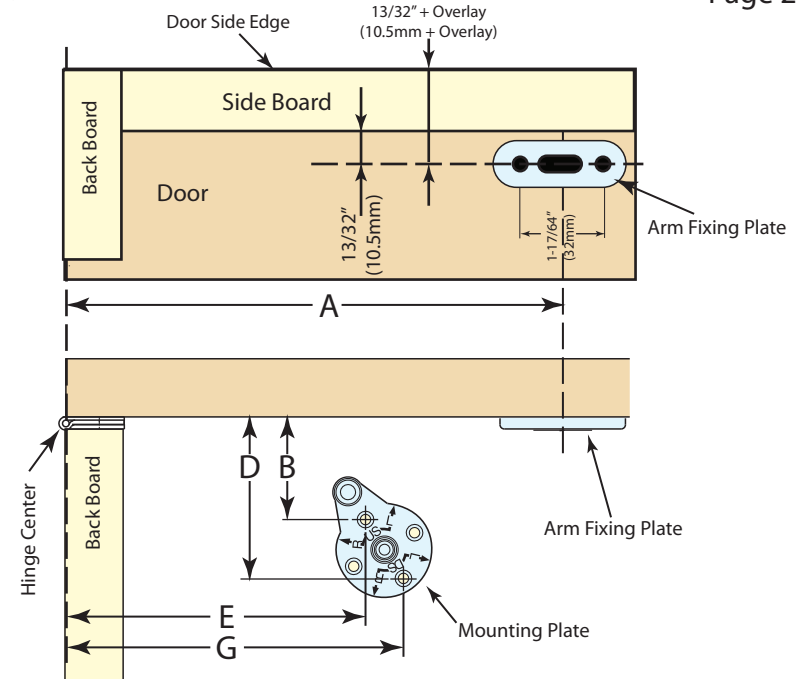
Door Height (inch)	Door Weight (lbs)	
	Min	Max
8	17.5	30.0
9	15.6	26.7
10	14.0	24.0
11	12.7	21.8
12	11.7	20.0
13	10.8	18.5
14	10.0	17.1
15	9.3	16.0
16	8.8	15.0
17	8.2	14.1
18	7.8	13.3
19	7.4	12.6
20	7.0	12.0
21	6.7	11.4
22	6.4	10.9
23	6.1	10.4
24	5.8	10.0
25	5.6	9.6
26	5.4	9.2



## Inset Concealed Hinge(Euro Hinge) Installation 90 Degree Opening

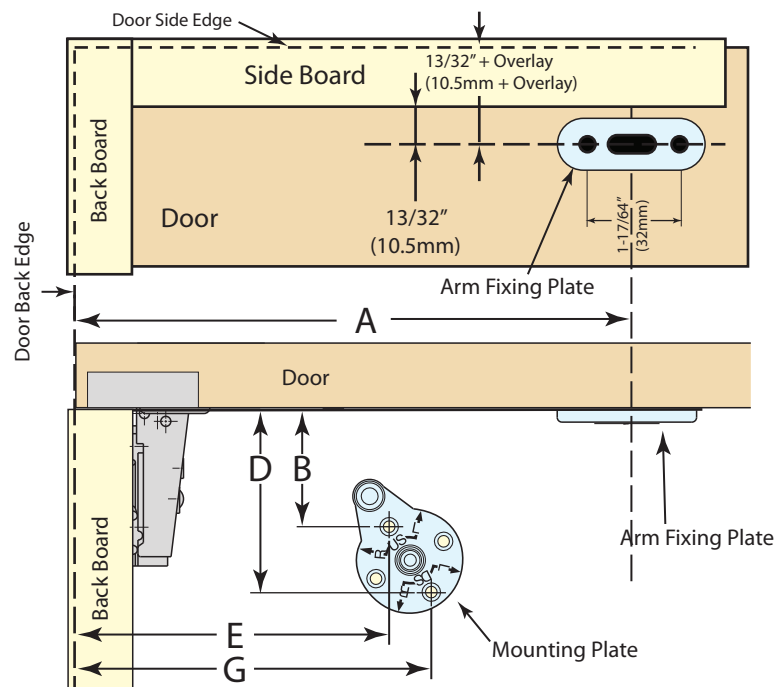


## Overlay Single Knuckle(Piano, Butt, etc) Hinge



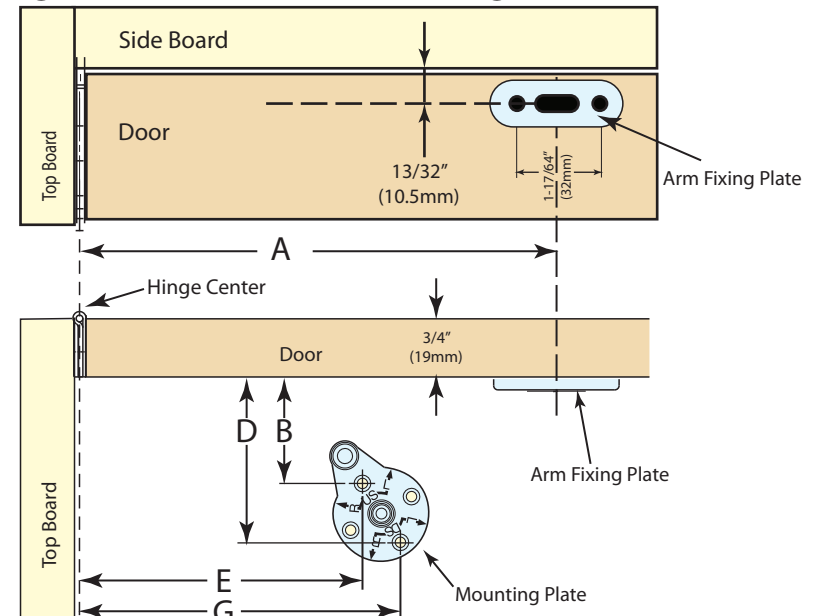
Opening angle	A	B	D	E	G
80°	5-29/64" (138.5mm)	1-9/32" (32.6mm)	2-17/64" (57.4mm)	3-47/64" (94.8mm)	4-1/4" (107.9mm)
90°	5-1/16" (128.5mm)	1-5/16" (33.2mm)	2-15/64" (56.8mm)	3-17/64" (83.1mm)	3-57/64" (98.9mm)
100°	4-25/32" (121.5mm)	1-21/64" (33.9mm)	2-13/64" (56.1mm)	2-61/64" (75.2mm)	3-21/32" (92.8mm)

## Overlay Concealed Hinge(Euro Hinge) Installation



Opening angle	A	B	D	E	G
80°	5-9/16" (141mm)	1-1/4" (31.9mm)	2-19/64" (58.1mm)	3-55/64" (98.2mm)	4-9/32" (108.8mm)
90°	5-7/32" (132.5mm)	1-9/32" (32.3mm)	2-9/32" (57.7mm)	3-1/2" (88.7mm)	3-63/64" (101.3mm)
100°	4-63/64" (126.5mm)	1-19/64" (32.9mm)	2-1/4" (57.1mm)	3-3/16" (81.2mm)	3-49/64" (95.8mm)

## Inset Single Knuckle(Piano, Butt, etc) Hinge



Opening angle	A	B	D	E	G
80°	5-5/64" (129mm)	1-1/4" (31.7mm)	2-19/64" (58.3mm)	3-13/32" (86.7mm)	3-51/64" (96.3mm)
90°	4-21/32" (118.5mm)	1-17/64" (32mm)	2-9/32" (58mm)	2-31/32" (75.3mm)	3-13/32" (86.7mm)
100°	4-3/8" (111mm)	1-9/32" (32.5mm)	2-17/64" (57.5mm)	2-5/8" (67mm)	3-5/32" (80mm)