

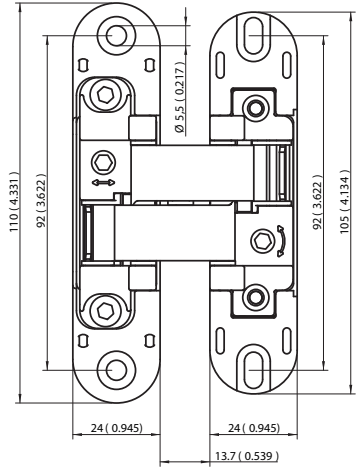
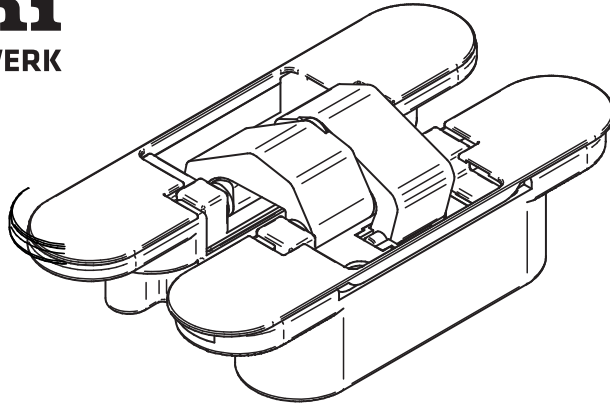
# Anselmi

MEMBER OF SIMONSWERK

 HardwareSource

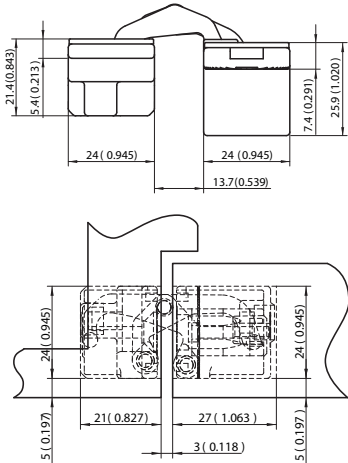
info@hardwaresource.com

1.858.322.6353



## AN 170 3D

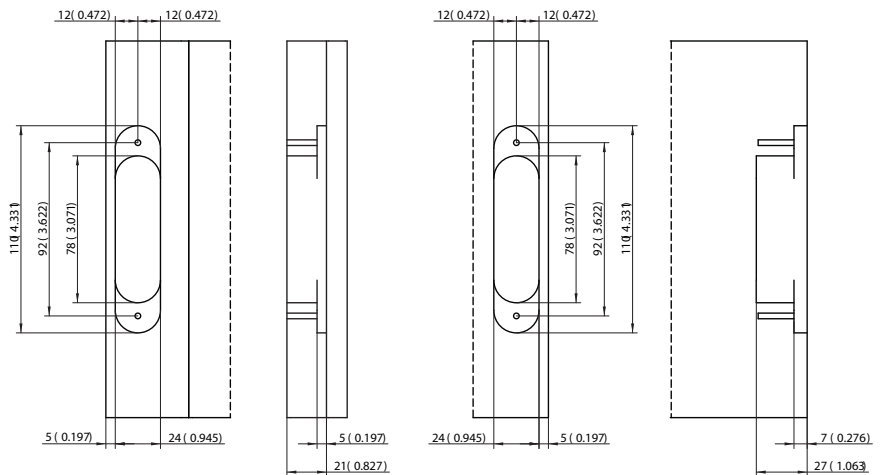
DIT\_SP\_035 rev.0 01/09/2019



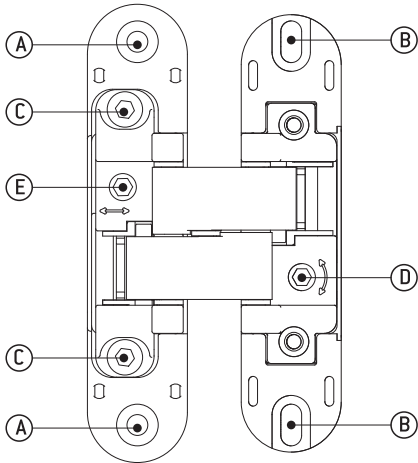
### MILLING

#### Frame

#### Door



### Screw Information



**A** Screw hole for the hinge to the frame.

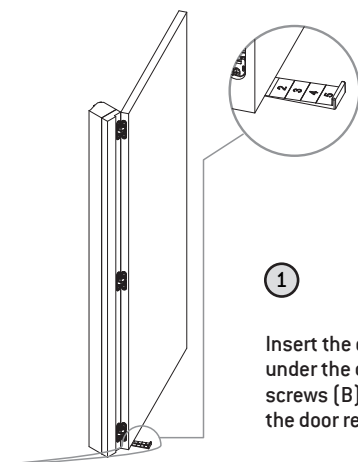
**D** Self-locking screw for side adjustment.

**B** Oval holes for vertical adjustment and anchoring to the door.

**E** Depth adjustment screw.

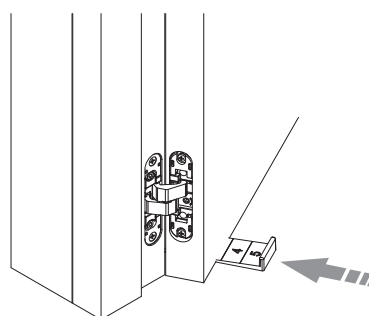
**C** Clamping screw for depth adjustment screw.

### Height Adjustment



①

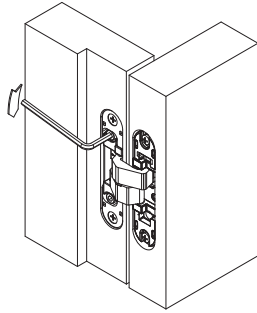
Insert the optional adjustment wedge under the door and unscrew the anchoring screws (B) of the hinge on the door; the door rests on the wedge.



②

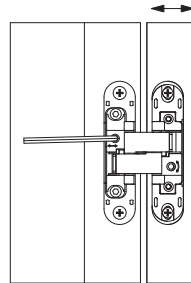
Slide the wedge under the door until the desired height is achieved, re-tighten the screws.

## Depth Adjustment



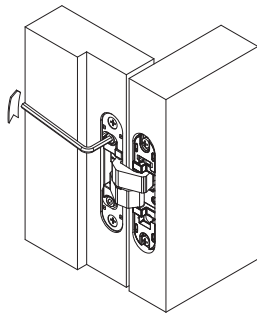
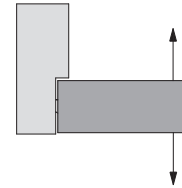
1

Loosen the two clamping screws (C).



2

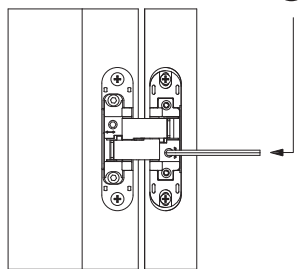
Turn the depth adjustment screw (E) to the desired compression.



3

Tighten the two clamping screws (C).

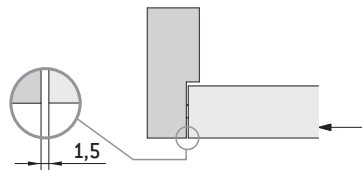
## Side Adjustment



1

2

Turn the side adjustment screw (D) clockwise for decreasing the air gap by a max. of 1.5 mm (.059").



2

Turn the side adjustment screw (D) counterclockwise for increasing the air gap by a max. of 1.5 mm (.059").

