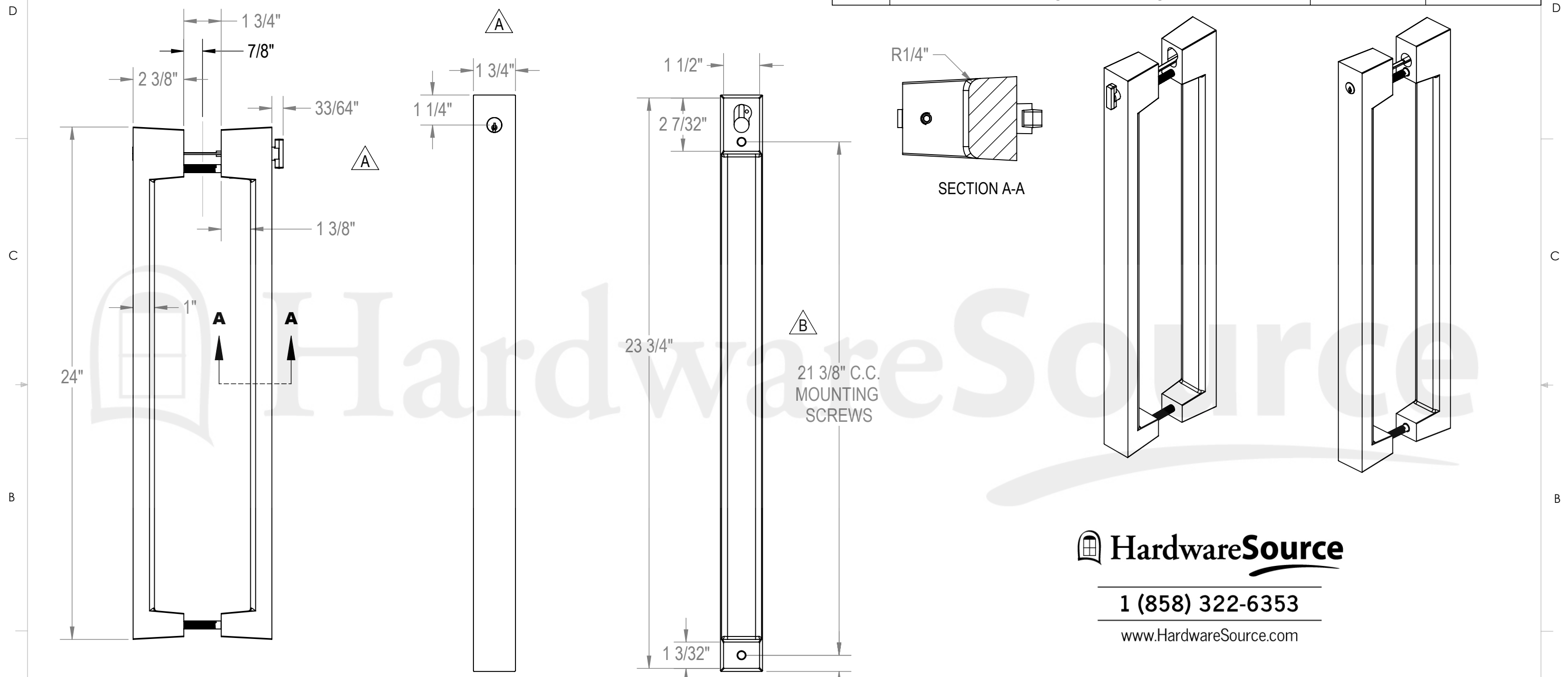


# PRELIMINARY DRAWING ONLY

REV.	DESCRIPTION	DATE	APPROVED
A	INCREASED PROJECTION AND REDUCED WIDTH	7/3/2014	
B	INCREASED CC DISTANCE BY 1/8"	7/14/2014	
C	REVISED NOTE TO ADD PRICING 3" + TO 4.5" DT and REMOVED ADA NOTE	8/14/2018	



1 (858) 322-6353

www.HardwareSource.com

PROJECT: \_\_\_\_\_ REVISION: \_\_\_\_\_

I have carefully reviewed the engineered drawings, and by signing below, I approve the drawings as submitted to me. I understand that if any further modifications, revisions or changes are requested, all expenses incurred in making these changes are my responsibility. I have read, understand, approve and take full responsibility for the previous statements by signing below.

Approval Signature: \_\_\_\_\_ Date: \_\_\_\_\_



UNLESS OTHERWISE SPECIFIED: DO NOT SCALE DRAWING DIMENSIONS ARE IN INCHES	DRAWN BY:	MAW	7/3/14	ROCKY MOUNTAIN® H A R D W A R E
	MATERIAL:			
PROPRIETARY AND CONFIDENTIAL THE INFORMATION CONTAINED IN THIS DRAWING IS THE SOLE PROPERTY OF ROCKY MOUNTAIN HARDWARE. ANY REPRODUCTION IN PART OR AS A WHOLE WITHOUT THE WRITTEN PERMISSION OF ROCKY MOUNTAIN HARDWARE IS PROHIBITED.	CUSTOMER NAME: <b>SAN DIEGO HARDWARE</b>			
	DESCRIPTION: <b>CUSTOM LOCKING GRIP</b>			
SIZE	DRAWING NO.			REV
<b>B</b>	<b>G299-G298-APPROVAL</b>			<b>C</b>
MADE FROM:	G299			SHEET 1 OF 1