

# CONCEALED HINGE



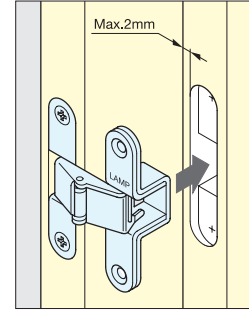
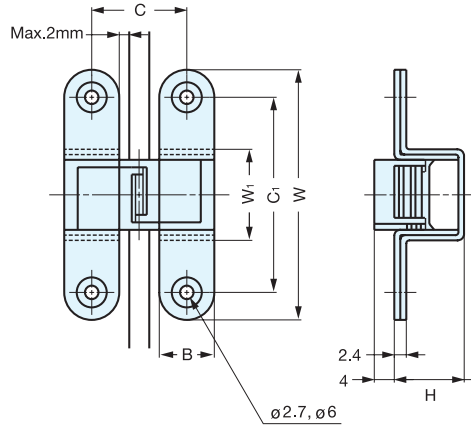
# RK-50

HINGES

CONCEALED HINGES



- Door size :  
Max. W450 × H700 (W 17-23/32" × H 27-9/16")
- Door thickness : Min. 15 (19/32")
- Door weight : Max. 2.6 kg/pair (5.7 lbs/pair)



Installation

Material	Finish
304 Stainless Steel	Satin

Item No.	W	B	C	C <sub>1</sub>	H	W <sub>1</sub>	Weight (g)	Box (pcs)	Carton (pcs)
RK-50	50 (1-31/32")	11 (7/16")	19 (3/4")	38 (1-1/2")	14 (35/64")	18.2 (23/32")	28	24	240

## 3-WAY Adjustable Concealed Hinge HES3D Series



Sizes vary for use with 1-1/2" thick doors to a minimum of 3/4" thick doors. Find more sizes, finishes and information about the HES3D Series Hinges on page 180~184, 309~311.

