

SPRING LOADED LID STAY



S-YT

LID SUPPORTS

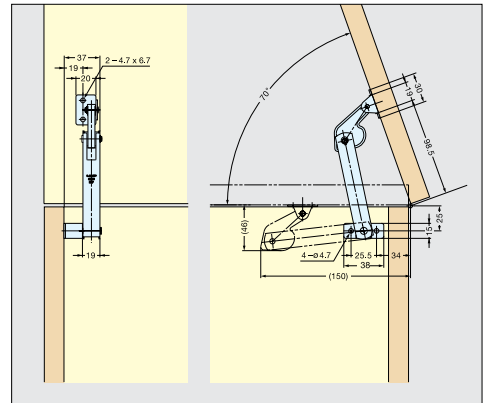
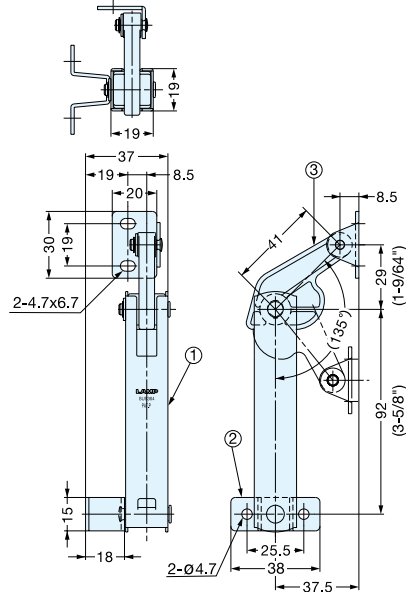
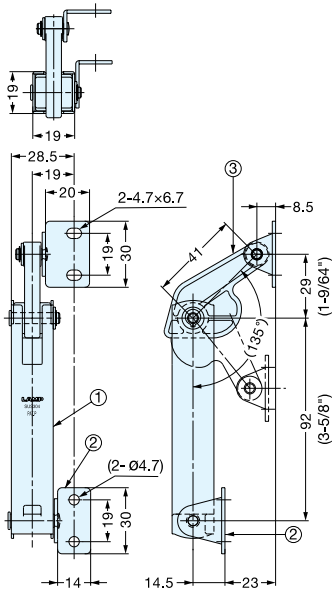
SPRING LOADED LID STAYS

- Spring mechanism assists in lifting door and holds in open position.
- Handed: Specific left and right hand mounting.

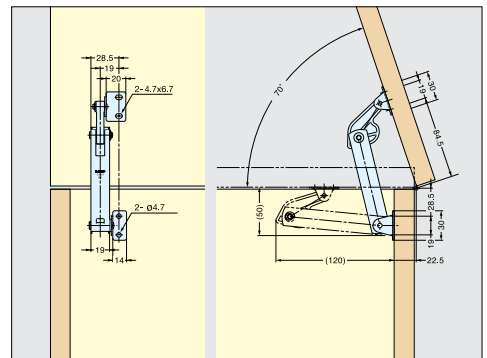


Back panel mount type

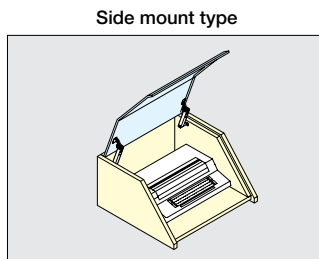
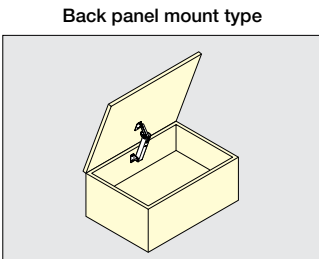
Side mount type
(Left handed shown)



For side mount type



For back panel mount type



No.	Part Name	Material	Finish
①	Body	304 Stainless Steel	Plain
②	Bracket	304 Stainless Steel	Plain
③	Arm	Polycetal	-

Item No.		Spring Tension	Mounting Type	Max. Torque (kgf-cm)	Weight (g)	Box (pcs)	Carton (pcs)
Left	Right						
S-YT01L	S-YT01R	Soft	Side	30 (26 lbs-in)	118	10	100
S-YT02L	S-YT02R	Hard		40 (34 lbs-in)			
S-YT01S		Soft	Back Panel	30 (26 lbs-in)			
S-YT02S		Hard		40 (34 lbs-in)			