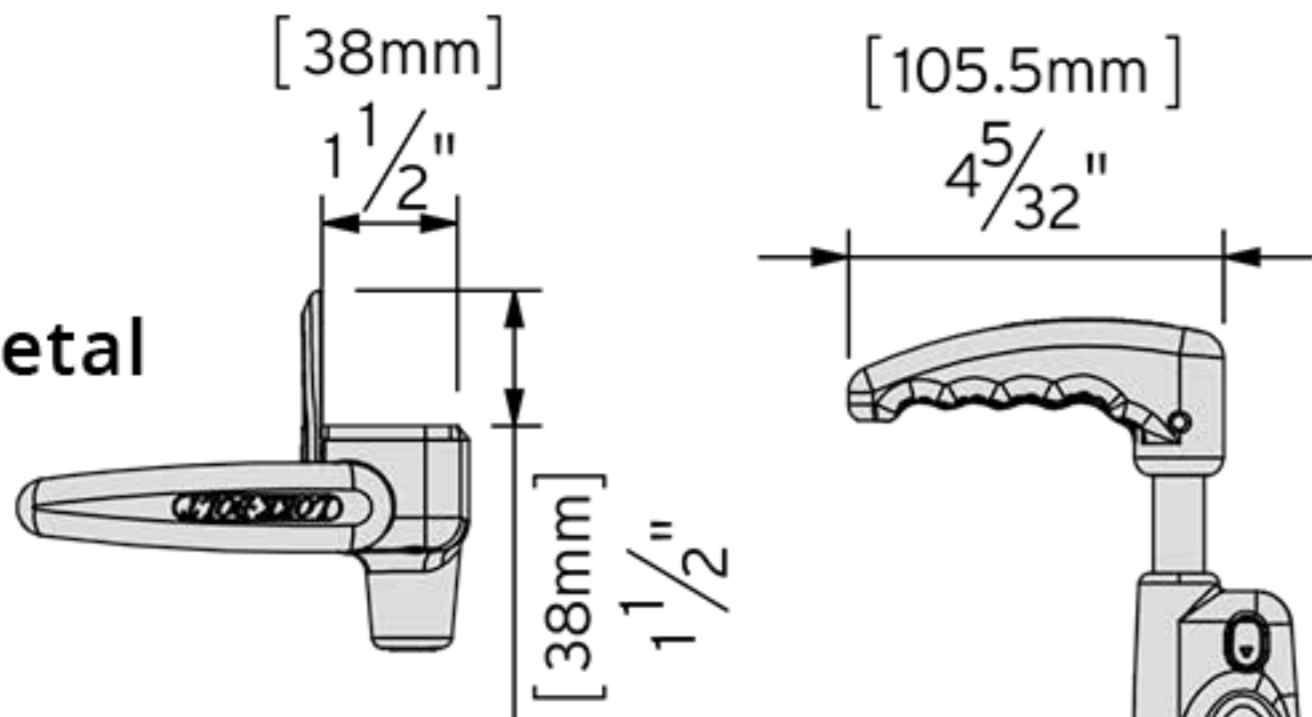
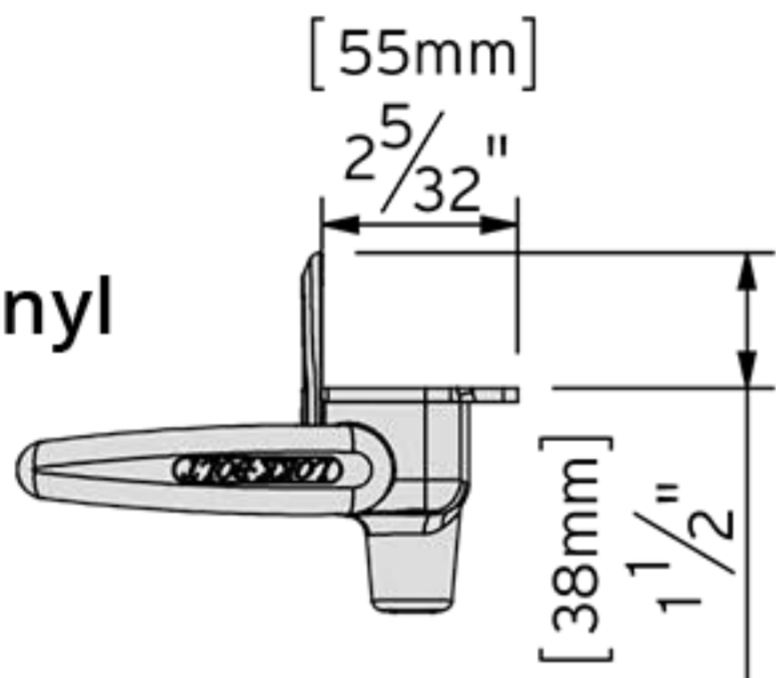


For Metal



For Vinyl



Base Plate

