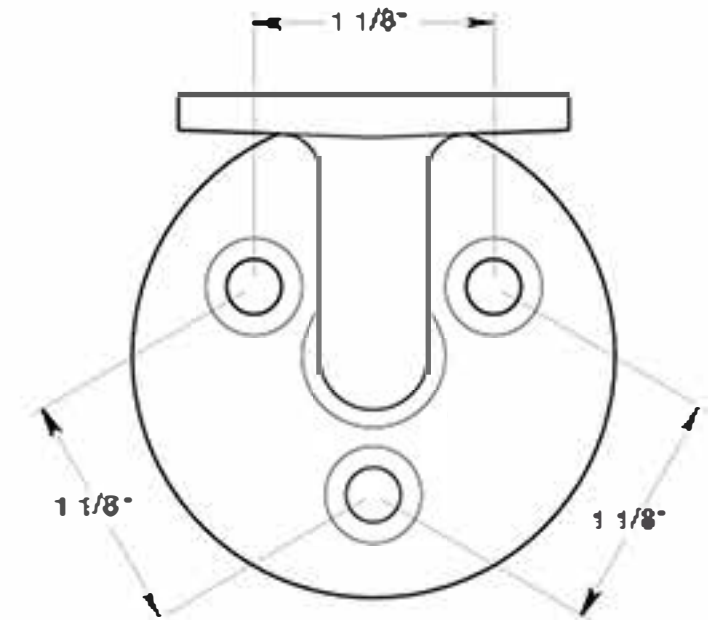
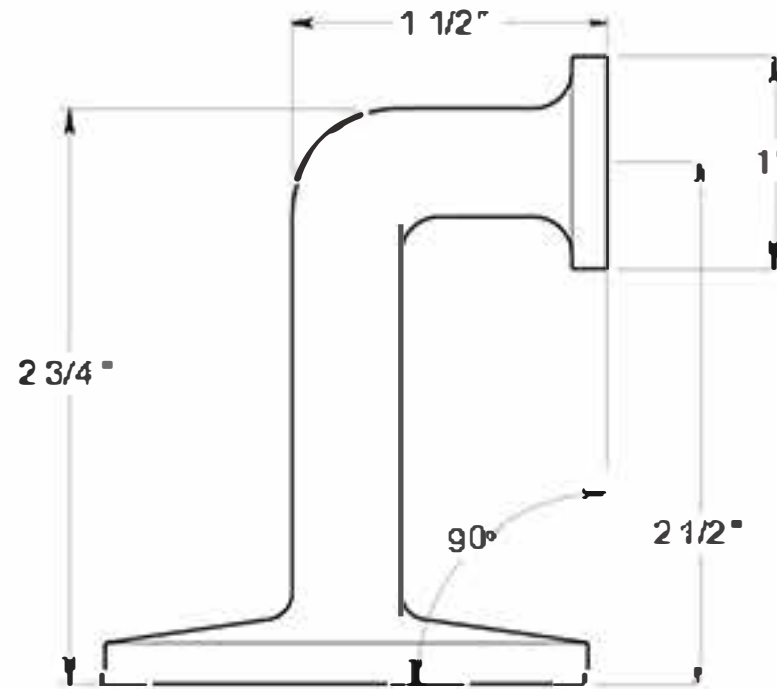
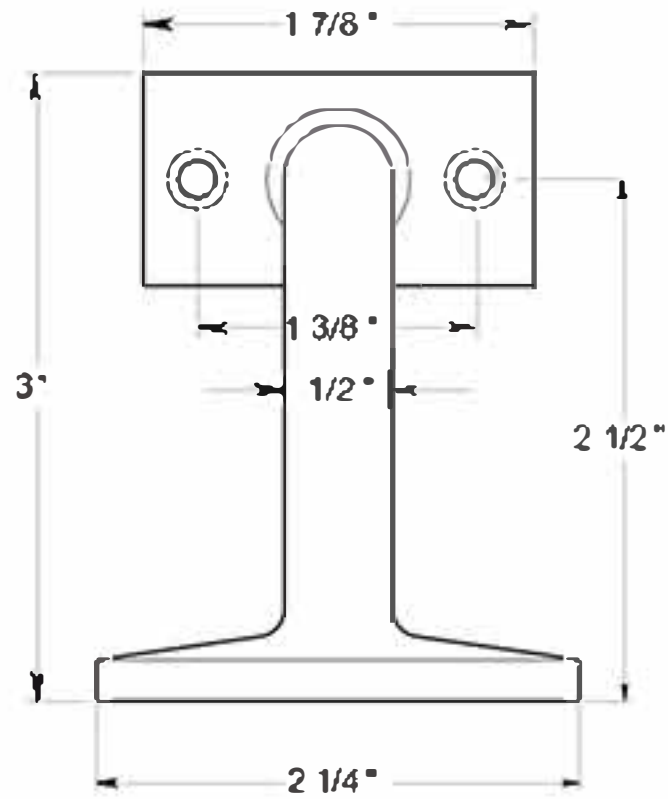


C10001

HAND RAIL BRACKET / 3" PROJECTION / SOLID BRASS



DRAWING NOT TO SCALE

NOTE: HardwareSource reserves the right to constantly improve its products and is not responsible for differences between the product in hand and the specifications contained in this drawing. We do not recommend to pre-drill holes or pre-cut woods or metals based on the drawing information if the veracity of the specifications has not been proven by the live product.